



User Manual

IGP -0502

5 - Port Industrial PoE Gigabit Switch

Package Contents

IGP-0502

User Manual

CE Marking Warning

CE marking is a certification mark that indicates conformity with health, safety, and environmental protection standards for products sold within the European Economic Area (EEA). The CE marking is also found on products sold outside the EEA that have been manufactured to EEA standards. This makes the CE marking recognizable worldwide even to people who are not familiar with the European Economic Area.

WEEE

WEEE is waste electrical and electronic equipment. It is end-of-life electrical and electronic equipment and covers virtually everything with a plug or battery. ... The EC introduced the WEEE Directive in 2002 to address the environmental impacts of unwanted electrical and electronic equipment at end-of-life disposal.

FCC Certifications

This Equipment has been tested and found to comply with the limits for a Class B digital device, pursuant to part 15 of the FCC Rules. These limits are designed to provide reasonable protection against harmful interference when the equipment is operated in a commercial environment. This equipment generates, uses, and can radiate radio frequency energy and, if not installed and used in accordance with the instruction manual, may cause harmful interference to radio communications. Operation of this equipment in a residential area is likely to cause harmful interference in which case the user will be required to correct the interference at his own expense.

This device complies with Part 15 of the FCC Rules. Operation is subject to the following two conditions: (1) this device may not cause harmful interference, and (2) this device must accept any interference received; including interference that may cause undesired operation.



❖ Overview

The IGP-0502 is a 5-port industrial full gigabit PoE switch that supports up to 4*10/100/1000M PoE ports and 1*1000M SFP slot and a high anti-interference ability, the supports 6KV surge protection, and 6KV contact / 8KV air ESD protection.

IGP-0502 supports wall hanging, desktop and Din-rail installation, reliable and durable, and can be used in security network video monitoring, network engineering and other occasions.

❖ Features

- With 4*10/100/1000M PoE ports and 1*1000M SFP slot
- Supports 6KV surge protection, 6KV contact / 8KV air ESD protection
- Supports working temperature -40°C~75°C;
- Supports wall hanging, desktop and Din-rail installation, reliable and durable, and can be used in security network video monitoring, network engineering and other occasions.

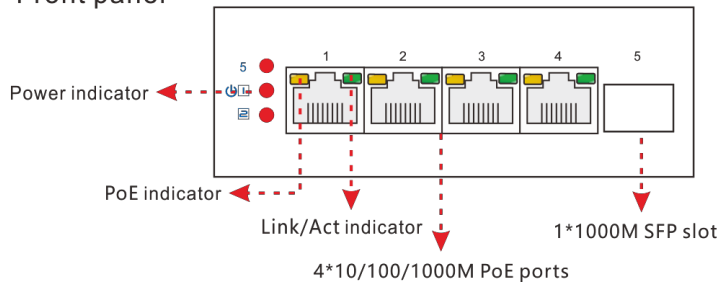
❖ Specifications

	Specifications
Power supply	Powered by power adaptor
Range of voltage	DC 48~57V
Consumption	Self consumption<5W
Downlink ports	Ports 1~4 10/100/1000Base-T 30W PoE RJ45(IEEE 802.3af/at)
Uplink ports	Port 5 1000Base-X SFP slot
Cable and distance	Use cat5e/6,100m max.
Standard	IEEE802.3, IEEE802.3u, IEEE802.3z
Switch fabric	10Gbps
Throughput	7.44Mpps
Buffer	1M
MAC address table	8K
Indicator	Power: 2 *red; Uplink 5: green LEDs indicate Link/Act Downlink 1~4: On RJ45 green LEDsc/Act, yellow LEDs indicate PoE

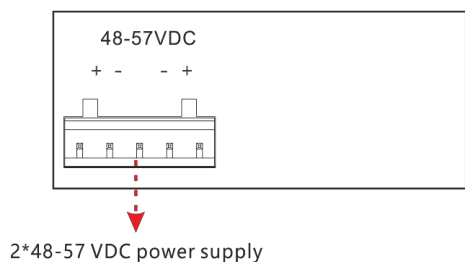
Protection	Surge: 6KV, standard: IEC61000-4-5 ESD: 6KV: contact / 8KV: air, standard:IEC61000-4-2
Working temperature	-40°C~75°C
Storage temperature	-40°C~85°C
Humidity	0~95%(No condensation)
Dimension(L×W×H)	99 mm×65 mm×50mm
Material	Aluminium
Color	Black
Weight	350g

❖ Panel diagram

● Front panel

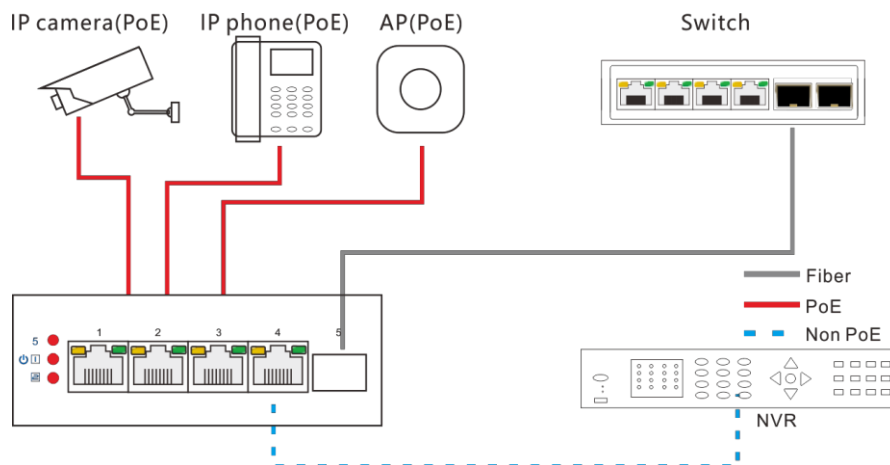


● Left panel



▲ **Attention 1:** This product must be well grounded against lightning, please use better than 20# cable to connect the grounding terminal and ground.

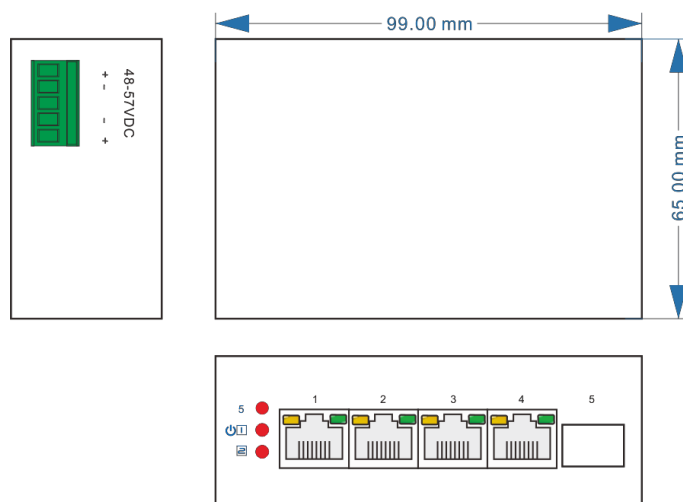
❖ Application



Technical Support

Please contact LevelOne Technical Support through our website.
<http://www.level1.com>

❖ Dimensions



❖ Order information

Model	Description
IGP-0502	5-Port Gigabit Industrial Switch, DIN-Rail, -40°C to 75°C