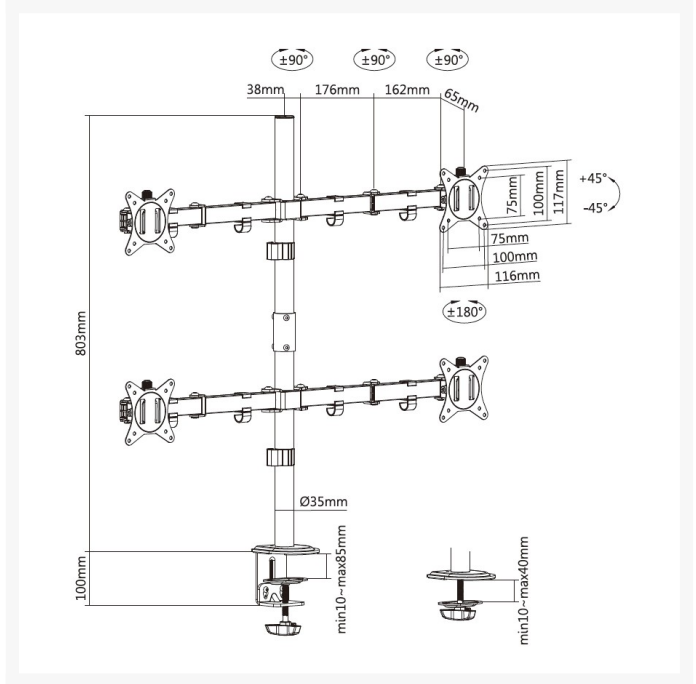
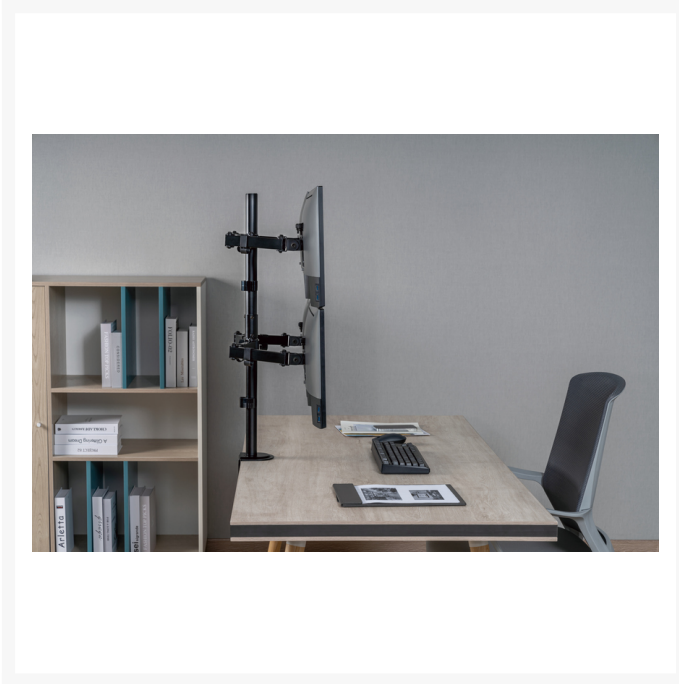




650159 17"-32" Articulating Quad Monitor Desk Mount Bracket

Product Images





Short Description

1. Max. Load Capacity: 9Kg (per screen)
2. Max. VESA: 100x100
3. Screen Rotation: 360°
4. Mounting Option: Clamp (10-85mm) /Grommet (10-40mm)
5. Swivel and Tilt Desk Mount
6. VESA standards compliant
7. Cable clips keep cables organized and protected
8. Both grommet and desk clamp mounting available
9. Freely adjusting height for an optimal ergonomic position
10. Slide-in VESA plate provides easy access for attachment and detachment

Description

The equip® Monitor Desk Mount Bracket is a compact but sturdy product that ensures a reliable installation of your LCD/LED monitor.

Flexible design for ample adjustment and viewing angles, adjustable for either portrait or landscape orientation. Grommet and clamp mounting options included for installation on most any work surface. A detachable VESA plate for user-friendly installation. Cable clips included for an organized and clutter-free workplace.

Follow the graphic guide included in the package, you can install your monitor on your own with ease.

Additional Information

Approval and compliance	RoHS
Compatible display size	17"-32"
Material	Metal, Plastic
Load capacity (kg)	9
Mount	Desk mount
Pan (Swivel) range	+90°~-90°
No. of supported display	4
Tilt range	+45°~-45°
VESA compatibility	100x100,75x75
Product Size	869x112x957mm
Screen Rotation	+180°~-180°
Installation	Grommet,Clamp
Anti-Theft	No
Cable Management	Yes
Support Curved TV	No
Quick Release VESA Plate	No
Suggest Desktop Thickness	Clamp: 10~85mm Grommet: 10~40mm
Product weight (kg)	6.12
Product breadth (mm)	112
Product depth (mm)	957
Product height (mm)	869
Color	Black
EAN	4015867228265
Model number	650159
Package contents	650159/manual/screws
TV size	17"-32"

