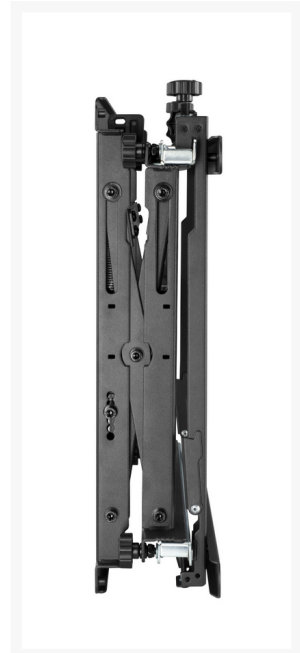
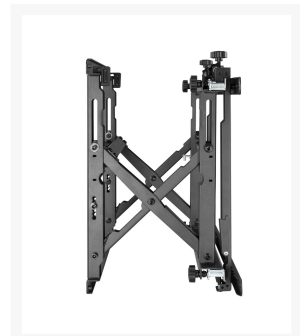
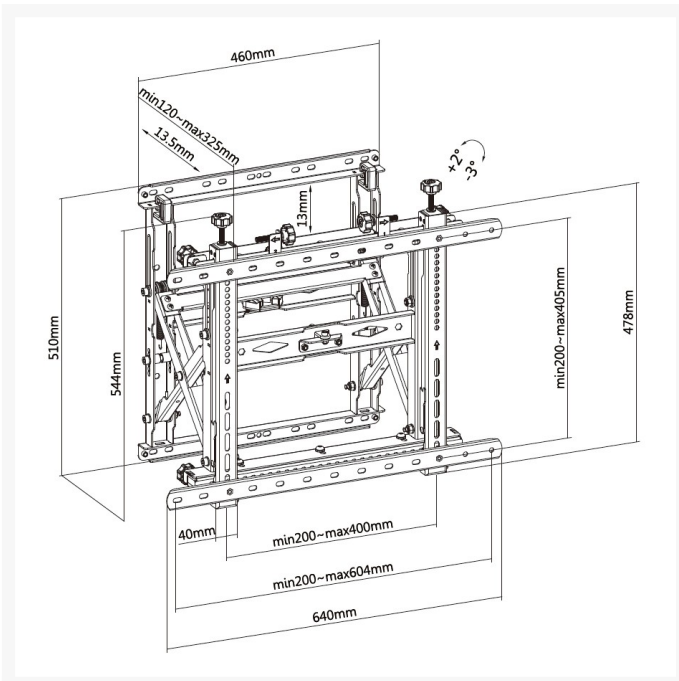


650352 45"-70" Pop-Out Video Wall Mount Bracket

Product Images





Short Description

1. Max VESA: 600 x 400
2. Max Loading weight: 70kgs
3. Built-in Cable management
4. VESA standards compliant
5. Anti-Theft Locking Hole: for additional security preventing
6. Modular mount with unlimited video display configurations
7. Effortless Micro-Adjustments: allow seamless display alignment
8. Pop-Out Lock System: ensures safety by reducing the possibility of accidental pop-outs.
9. Effortless Micro-Adjustments allow seamless display alignment
10. Innovative Quick-Release for easy installation

Description

The equip® 650352 Video Wall TV Mount Bracket is a video wall solution quick to install, and easy to configure. Made especially for video wall applications. This is a professional mount focusing on multiple screen installations, easy and fast installation and simplified maintenance. The Pop-out feature gives easy-access to any display for quick serviceability. This is one of the major functions needed when building a video wall mounting solution or when integrating a single screen into the wall. Saving installation time and cost.

650352 Installation

650352 Feature

Additional Information

Approval and compliance	RoHS
Compatible display size	45"-70"
Material	Metal, Plastic
Load capacity (kg)	70
Mount	Wall mount
No. of supported display	1
Tilt range	+2°~-3°
VESA compatibility	200x200,400x200,300x300,300x200,400x300,400x400,600x400
Bracket type	Tiltable
Distance to Wall (Profile)	120~325mm
Product Size	640x120~325x544mm
Mounting Hole Pattern	Universal
Installation	Solid Wall
Cable Management	No
Product weight (kg)	13.2
Product breadth (mm)	120~325
Product depth (mm)	544
Product height (mm)	640
Color	Black
EAN	4015867228296
Model number	650352
Package contents	650352/manual/screws
TV size	45"-70"

