



1 Port Cat.6 Surface Mount Box

235211

The equip[®] Surface Mounted Box featuring one RJ45 port supports one Cat.6 connection. This product is packed with one piece of adhesive tape which allows you to install the mounted box easily, no tools needed.

| Specification

Type	Surface Mount
Jack	RJ45
Color	White (RAL 9010)
Material	ABS, UL 94V-0

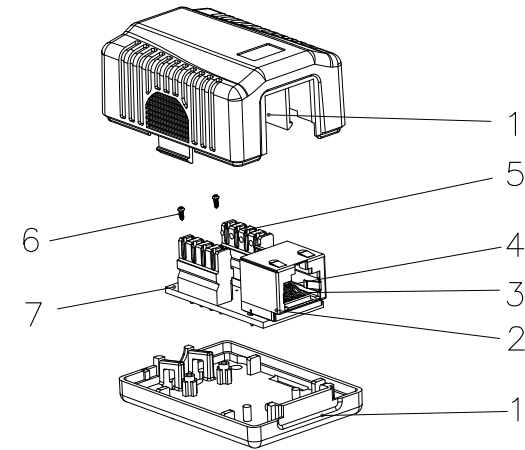
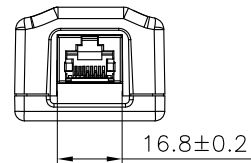
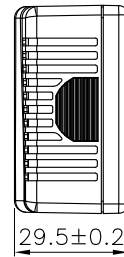
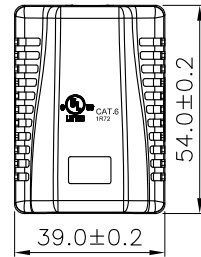
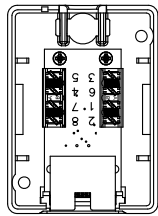
| Key Features

- LSA –IDC terminal
- Compliant with ANSI/TIA/EIA 568 standards.
- Unshielded
-

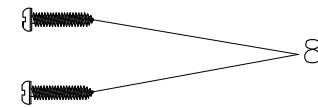
| Package Contents

- 1 x Cat.6 Surface Mount Box





SCALE 1/2



SCALE 1/2

Specification :

Material :

1. Case : ABS, UL 94V-0.
2. RJ45 Jack Housing : PBT+Glass Fiber, UL 94V-0, Black color.
3. Contact Bracket : PBT+Glass Fiber, UL 94V-0, Black color.
4. RJ45 Jack Contact :
 - 4-1. Material : Phosphor Bronze with Nickel plated.
 - 4-2. Finish : 50 micro-inch Gold plated on Plug contact area.
5. IDC :
 - 5-1. IDC Housing : PC+Glass Fiber, UL 94V-2.
 - 5-2. IDC Terminal : Phosphor Bronze with Tin plated.
6. Screw : M2.0x6.0xø3.3mm.
7. PCB : FR4, UL 94V-0
8. Screw : M3.5x16.0xø6.0mm.

Performance :

- a. T568A & T568B wiring printing on IDC.
- b. Insertion force : 20N max. (IEC 60603-7-4).
- c. Retention strength : 7.7 kg between Jack and Plug.
- d. Operating temperature : -10°C to 60°C. (ISO/IEC 11801, ANSI/TIA/EIA 568C.2)
- e. Life(mating cycles) :
 - *Jack : 750 cycles min. (ISO/IEC 11801, IEC 60603-7-4).
 - *IDC : Suitable for 22-26 AWG stranded and solid wire, compatible with both 110 & Krone punch down tools.
- f. The Cat.6 transmission performance is in compliance with the ANSI/TIA 568 C.2 standard.



235211