

## AeraMax® Pro AM IVS and AM4S PC with Stand

# AERA MAX® PROFESSIONAL

Air Purifier | Purificateur d'air | Purificador de aire | Luftreiniger  
Purificatore d'aria | Luchtreiniger | Luftrenare | Luftrenser | Ilmanpuhdistin  
Luftrenser | Oczyszczacz powietrza | Воздухоочиститель | Ιονιστής  
Hava Filtresi | Čistička vzduchu | Čistič vzduchu | Légtisztító | Purificador de ar



### CUSTOMER SERVICE & SUPPORT

[www.fellowes.com](http://www.fellowes.com)

Europe Freephone: 00800-1810-1810  
Benelux: +31-(0)-13-458-0580  
Deutschland: +49 (0)511 545489-0  
France: +33 (0) 1 78 64 91 00  
Italia: +39-071-730041  
Polska: +48 (22) 205-21-10  
España/Portugal: +34-91-748-05-01  
United Kingdom: +44 (0) 1302 836836

### Declaration of Conformity

#### Fellowes Manufacturing Company


Unit 2 Ontario Drive, New Rossington, Doncaster, DN11 0BF, England

Declares that the product AeraMax® AMIVS and AM4S PC Pro conforms to the following requirements:  
[2011/65/EU+2015/863/EU] Restriction of Hazardous Substances Directive [2004/108/EC] Electromagnetic Compatibility Directive  
[2012/19/EU] Electrical Product Waste Reduction Human Exposure to Electromagnetic Fields  
[2006/95/EC] Low Voltage Directive

To the following harmonized European Names [EN Standards] and IEC Standards.  
EN 55014-1 EN 60335-2-65 EN 61000-3-3  
EN 55014-2 EN 61000-3-2 EN 62233  
EN 60335-1

And to the following standards:  
PPP 76001:2008 incl. AIPS GS 2014:01 PAK  
AS/NZS CISPR 14.1:2003  
German Equipment and Product Safety Act Section 7 Subsection 1 Sentence 2 GPSG

Itasca, Illinois, USA  
June 1, 2019

  
**John Fellowes**  
President & CEO



Please read these instructions before use.  
Do not discard: keep for future reference.

Lire ces instructions avant utilisation.  
Ne pas jeter : conserver pour référence ultérieure.

Lea estas instrucciones antes de usarlo.  
No las deseche: guárdelas para tenerlas como referencia.

Diese Anleitungen vor Gebrauch genau durchlesen.  
Bitte nicht entsorgen: Zur späteren Bezugnahme aufheben.

Prima dell'uso, si raccomanda di leggere questo manuale di istruzioni.  
Conservare il manuale per consultarlo secondo le necessità.

Deze instructies voor gebruik lezen.  
Niet weggooien, maar bewaren om later te kunnen raadplegen.

Läs dessa anvisningar innan du använder apparaten.  
Släng inte bort, behåll för framtida bruk.

Læs venligst denne vejledning før anvendelse.  
Bør ikke bortskaffes. Behold for fremtidig henvisning.

Lue nämä ohjeet ennen käyttöä.  
Älä hävittää: säilytä myöhempää käyttöä varten.

Vennligst les nøye igjennom denne bruksanvisningen før bruk.  
Ikke kast den: Ta vare på den for senere referanse.

Przed użyciem proszę zapoznać się z tą instrukcją.  
Nie wyrzucać - zachować jako źródło informacji na przyszłość

Перед началом эксплуатации обязательно прочтите данную инструкцию.  
Не выбрасывайте данную инструкцию: сохраните ее для последующего использования.

Παρακαλείσθε να διαβάσετε αυτές τις οδηγίες πριν χρησιμοποιήσετε το προϊόν.  
Μην τις απορρίψετε: κρατήστε τις για μελλοντική αναφορά.

Kullanmadan önce lütfen bu talimatları okuyun.  
Atmayın: ileride başvurmak üzere saklayın.

Před použitím si přečtěte tyto pokyny.  
Nelíkvídjte: uschovejte pro budoucí použití.

Pred použitím si prečítajte tieto pokyny.  
Nezahadzujte: odložte pre budúce použitie.

Kérjük, hogy használat előtt olvassa el az utasításokat!  
Az utasításokat ne dobja ki; tartsa meg referenciának yagként való jövőbeni használatra.

Leia estas instruções antes da utilização.  
Não as deite fora: conserve-as para consulta futura.

**Fellowes**  
Brands™

1789 Norwood Avenue, Itasca, Illinois 60143 • 1-800-955-0959 • [www.fellowes.com](http://www.fellowes.com)

© 2019 Fellowes, Inc. | Part #411644

\*For a copy of the manual please visit [www.aeramaxpro.com](http://www.aeramaxpro.com)

## SAFETY INSTRUCTIONS/WARNING

Thank you for purchasing the AeraMax® PRO AM IVS.

Please read and save these instructions. Read carefully before attempting to assemble, install, operate or maintain this product. Protect yourself and others by observing all safety information. Failure to comply with instructions could result in personal injury and/or property damage. Retain instructions for future reference.

### IMPORTANT CAUTIONS AND INSTRUCTIONS FOR USING AIR PURIFIER:

**WARNING:** Follow the instructions in this manual to reduce the risk of electric shock, short circuit, and/or fire:

- Do not use this air purifier as sole protection against harmful pollutants.
- Use this unit only in the manner intended by the manufacturer. If you have questions, contact the manufacturer.
- Do not repair or modify the unit unless specifically recommended in this manual. All repairs should be completed by a qualified technician.
- Use only permitted outside of Zone 2.
- The unit should be used with a residual current protective devices (RCDs) with a rated residual operating current not exceeding 30 mA.
- The plug for this unit is polarized with one blade wider than the other. Do not force the plug into an electrical outlet.
- Do not alter the plug in any way. If the plug does not fit into the outlet, reverse the plug. If it still does not fit, contact a qualified technician to install a proper outlet.
- Do not use if the power cord or plug is damaged or the connection to the wall outlet is loose.
- Do not damage, break, forcefully bend, pull, twist, bundle, coat, pinch, or place heavy objects on the power cord.
- Periodically remove dust from the power plug. This will reduce the chance that humidity will accumulate, which increases the risk of electric shock.
- If the power plug is damaged, it must be replaced by the manufacturer or a qualified technician.
- Remove the power plug from the outlet before cleaning the unit. When removing the power plug, grasp by holding the plug itself, never hold by the cord.
- Remove the power plug from the outlet when the unit is not in use.
- Do not handle the power plug with wet hands.
- Do not run power cord under carpets or cover with throw rugs.
- The AeraMax® PRO air quality control system must be grounded.
- Before servicing or cleaning the unit, switch power off at service panel. Lock service panel, or affix a warning tag, to prevent power from being switched back on accidentally.
- Use only the electrical power (voltage and frequency) specified for the model air purifier being installed.
- Do not obstruct the air inlet or air outlet of the air purifier.
- Do not use unit without filters installed.
- Do not wash and reuse any of the filters.
- Do not use attachments or filters other than AeraMax® PRO brand, as unit will not function.
- Do not spray aerosols on, or into the unit.
- Do not use detergent to clean the unit.
- Do not insert fingers, liquids, or foreign objects into the air intake or outlet.
- Do not use the unit for anything other than air purification.
- If the supply cord is damaged, it must be replaced by the manufacturer, its service agent or similarly qualified persons in order to avoid a hazard.
- This appliance can be used by children aged from 8 years and above and persons with reduced physical, sensory or mental capabilities or lack of experience and knowledge if they have been given supervision or instruction concerning use of the appliance in a safe way and understand the hazards involved. Children shall not play with the appliance. Cleaning and user maintenance shall not be made by children without supervision.

## LIMITED PRODUCT WARRANTY

Limited Warranty: Fellowes, Inc. ("Fellowes") warrants the AeraMax® PRO air quality control system (the "Product") to be free of defects in material and workmanship for the time periods as set forth below.

- For PC units only: The particle counters and display screen for a period of three (3) years from the date of original purchase of the Product.
- For standard and PC units: All other parts for a period of five (5) years from the date of original purchase of the Product. In the event that the Product is installed into new construction, the warranty period shall commence on the date of the occupancy permit or one year after the date of purchase, whichever is earlier. If any part is found to be defective during the warranty period, your sole and exclusive remedy will be repair or replacement, at Fellowes' option and expense, of the defective part. This warranty does not cover damage caused by use of non-Fellowes approved filters or failure to follow the recommended replacement schedule. This warranty does not apply in cases of abuse, mishandling, failure to comply with product usage standards, operation using an improper power supply (other than listed on the label), or unauthorized repair. Fellowes reserves the right to charge the consumers for any additional costs incurred by Fellowes to provide parts or services outside of the country where the Product was initially sold by an authorized reseller. This warranty does not cover replaceable filters. In the event that the Product is not readily accessible to Fellowes designated service personnel, Fellowes reserves the right to supply customer with replacement parts or Product in full satisfaction of its obligations under this warranty and any service obligations. ANY IMPLIED WARRANTY, INCLUDING THAT OF MERCHANTABILITY OR FITNESS FOR A PARTICULAR PURPOSE, IS HEREBY LIMITED IN DURATION TO THE APPROPRIATE WARRANTY PERIOD SET FORTH ABOVE. In no event shall Fellowes be liable for any consequential, incidental, indirect or special damages. This warranty gives you specific legal rights. The duration, terms, and conditions of this warranty are valid worldwide, except where different limitations, restrictions, or conditions may be required by local laws.

## PACKAGING CONTENTS

- AeraMax® PRO Air Quality Control System
- True HEPA Filter with AeraSafe™ Antimicrobial Treatment (2 filters)
- Activated Carbon Filter w/Pre-Filter (2 of each filter)
- Keys for Locking Front Panel (2)
- Registration information

## PRODUCT SPECIFICATIONS

AeraMax® PRO AM IVS	
Dimensions (H x W x D)	49.7 x 88.1 x 22.8 cm
Weight of System (including filters)	15.1 kg
Power Requirements	220-240V, 50/60Hz, 1.4A
Power Consumption (5 fan speeds)	8, 12, 18, 35, 180 watt
Air Delivery (5 fan speeds)	260, 316, 381, 476, 748 CFM
Decibels	42, 44, 51, 53, 68 dB
Display	Capacitive Touch, Internal Access Only
Sensors	EnviroSmart™
Sensor Controlled Operation Modes	2 Primary modes - Normal Mode and Quiet Mode
Supplied Filters	2 True HEPA Filters with AeraSafe™ Antimicrobial Treatment with an estimated average filter life of 1 year, 2 Activated Carbon Filters with Pre-Filter, estimated average filter life 6 months.
Cleaning System	High Efficiency Particulate Air (HEPA) filter rated efficiency of 99.97% of airborne particulate at 0.3 microns. Carbon Filter adsorbs odor and volatile organic compounds, PlasmaTRUE™ bipolar ionizer.

## REPLACEMENT FILTERS

2" HEPA	True HEPA filter replacement with AeraSafe™ treatment. Average filter life 12 - 18 months: 9416602 - 2 pack
3/8" Carbon	Granular activated carbon replacement filter with pre-filter. Average filter life 6 months: 9416502 - 4 pack
2" Carbon	Granular activated carbon replacement filter. Average filter life 2 years: 9436802 - 2 pack
2" Hybrid 1"	True HEPA and 1" Carbon with pre-filter hybrid replacement filter. Average filter life 1 year: 9436902 - 2 pack

For additional replacement filter and accessory information please visit: [www.aeramaxpro.com](http://www.aeramaxpro.com)

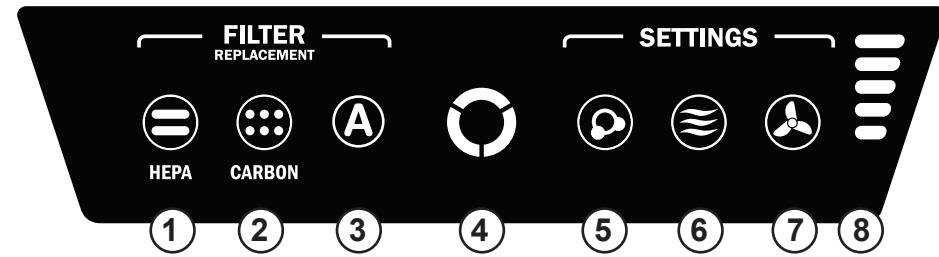
## INFORMATION TO THE USER

This equipment has been tested and found to comply with the limits for Class B digital device, pursuant to part 15 of the FCC Rules. These limits are designed to provide reasonable protection against harmful interference in an installation. This equipment generates, uses and can radiate radio frequency energy and, if not installed and used in accordance with the instructions, may cause harmful interference to radio communications. However, there is no guarantee that interference will not occur in a particular installation. If this equipment does cause harmful interference to radio or television reception, which can be determined by turning the equipment off and on, the user is encouraged to try to correct the interference by one or more of the following measures:

- Reorient or relocate the receiving antenna
- Increase the separation between the equipment and receiver
- Connect the equipment on a circuit different from that to which the receiver is connected.
- Consult the dealer or experienced radio/TV technician for help.

**WARNING:** Any changes or modifications not expressly approved by the manufacturer could void the user's authority to operate the equipment and warranty.

## DISPLAY PANEL



NOTE: after the unit is turned on the "AQ" light will flash for a few minutes while the system self-calibrates.

- 1 **HEPA FILTER REPLACEMENT INDICATOR** — This indicator will show its status when the access panel is open or closed. If the light is red this indicates the filter needs replacing. The replacement period will vary depending on the filters used, hours of use, air quality, and rate of air flow. For filter replacement indicator descriptions see *FILTER REPLACEMENT INDICATORS* section.
- 2 **CARBON FILTER REPLACEMENT INDICATOR** — This indicator will show its status when the access panel is open or closed. If the light is red this indicates the filter needs replacing. The replacement period will vary depending on the filters used, hours of use, air quality, and rate of air flow. For filter replacement indicator descriptions see *FILTER REPLACEMENT INDICATORS* section.
- 3 **ACCESSORY INDICATOR** — This indicator will show its status when the access panel is open or closed. This indicator will only be used if an accessory filter is installed in the unit. If the light is red this indicates the filter needs replacing. The replacement period will vary depending on the filters used, hours of use, air quality, and rate of air flow. For filter replacement indicator descriptions see *FILTER REPLACEMENT INDICATORS* section.
- 4 **AIR QUALITY SENSOR** — This indicator will show its status when the access panel is open or closed. This indicator monitors the air quality and adjusts the fan speed to keep your air purified. Blue, amber, and red lights indicate the purity of your air.
- 5 **PlasmaTRUE™ TECHNOLOGY** — This indicator will show its status when the access panel is open or closed. Creates an ionized field to help safely remove airborne pollutants. To turn on and off the PlasmaTRUE™ TECHNOLOGY, touch and hold the PLASMA indicator. A blue light illuminates when the PlasmaTRUE™ TECHNOLOGY is enabled. To disable the PlasmaTRUE™ TECHNOLOGY, press and hold "Plasma" indicator until light is off.
- 6 **AUTO MODE** — To select, press and hold the button until the icon illuminates. This mode uses the EnviroSmart™ technology to monitor the air quality, motion and noise level to adjust the fan speed in order to purify your air as quickly as possible. This button also includes QUIET MODE. To select, press and hold until the button turns purple. The machine will continue to use EnviroSmart™ but only utilizes the 3 lowest, most quiet of the 5 fan speeds.
- 7 **MANUAL MODE** — To select, press the button until the icon illuminates. This mode allows you to choose one of the 5 fan speeds and keep the unit at this speed until AUTO MODE is chosen again. The internal sensors will not adjust the fan speed in this mode.
- 8 **FAN SPEED INDICATORS** — The fan has 5 speeds and can reach turbo speed to clean the room in case of high levels of contaminants. The number of bars illuminated indicates fan speed.
 

1 – whisper	4 – high
2 – low	5 – turbo
3 – medium	

## OPERATION

The air purifier continuously works in automatic mode; the user can select which preference they would like the purifier to use based on the location or desired operation of the air purifier. The purifier will operate through a minimized range of speeds, not exceeding the maximum level selected, in order to run quietly while cleaning the room of contaminants. Once air is cleaned, and no sensors are activated, the unit lowers to energy saving mode to reduce energy consumption and extend the life of the filters.

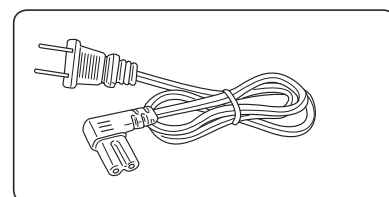
When Auto Mode is selected, the Auto mode indicator will be blue. This mode uses the EnviroSmart™ technology to monitor the air quality, motion and noise level to adjust the fan speed in order to purify your air as quickly as possible. Once air is cleaned, and no sensors are activated, the unit lowers to energy saving mode to reduce energy consumption and extend the life of the filters.

The machine will continue to use EnviroSmart™ but only utilizes the 3 lowest, most quiet of the 5 fan speeds.

When Manual Mode is selected, the Manual mode indicator will be blue. This mode allows you to choose one of the 5 fan speeds and keep unit at this speed until Auto Mode is chosen/selected. EnviroSmart™ sensors will NOT adjust the fan speed in this mode.

## SET UP

1. Open unit by pressing the latches on both sides.
2. Remove bag(s) from filter(s) and place back in the unit.
3. Plug the IEC plug into the power cord socket on the back of the unit.



## CARE AND MAINTENANCE

### CLEANING:

- Clean external housing as necessary by wiping with a dry, soft cloth; for stains, use a warm, damp cloth.
- Do not use volatile fluids such as benzene, paint thinner, scouring powder or other cleaners that may damage the unit surface.
- Clean intake and exhaust vents by wiping with a dry, soft cloth.

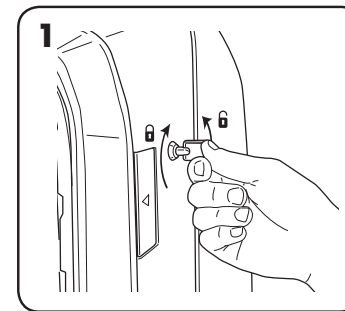
### FILTER REPLACEMENT INDICATORS:

The replacement filter indicators will signal when to replace the HEPA Filter and/or Carbon with Pre-Filter. The replacement period will vary depending on the hours of use, air quality, and rate of air flow. However, under normal usage, most HEPA Filters need to be replaced every 2 years, and Carbon with Pre-Filter every 6 months. When a filter needs to be replaced the following color will be shown on any one of the HEPA, CARBON, or ACCESSORY filter replacement indicators:

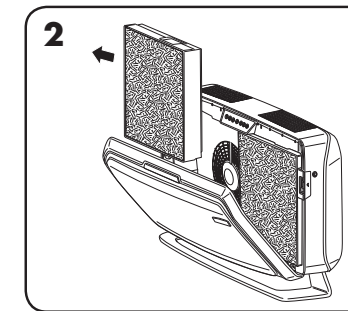
- Red Flashing = RIGHT filter 90% full
- Amber Flashing = LEFT filter 90% full
- Red Flash, Pause, Amber Flash, Pause = Right & LEFT filters 90% full
- Red = Replace RIGHT filter
- Amber = Replace LEFT filter
- Red & Amber Alternating = Replace Right & Left filters

Do not wash and reuse any of the filters – they will not work effectively. Only use AeraMax® PRO brand replacement filters as units will not function using any other replacements.

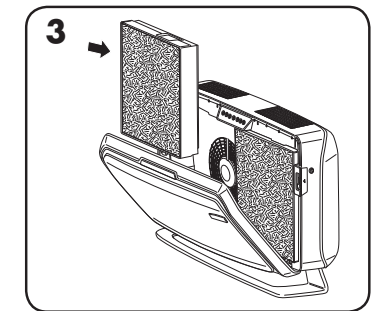
### FILTER REPLACEMENT PROCEDURE:



Unlock access panel: to unlock, insert the key provided and rotate counter-clockwise ¼ turn.



Open front access panel by pressing latches on both sides of unit. Allow panel to open fully. Remove filter(s) to be replaced.



Remove any packaging wrap from the new filter(s) and re-install the filters.

### FILTER REPLACEMENT:

When installing a new filter the unit will automatically detect the filter type but the user will have to manually reset the filter replacement indicators. To reset the flashing filter replacement indicator use the following procedure:

- 1 Touch and hold the illuminated indicator for three seconds until a beep is heard and the indicator is flashing green.
- 2 Release finger from indicator.
- 3 Touch and hold the indicator for three seconds until a beep is heard and the indicator light turns off.

**Note: If you do not complete step three within 10 seconds of completing step 1 then the indicator light will not be reset.**

## TROUBLESHOOTING

PROBLEM:	POSSIBLE SOLUTION:
The air quality control system fails to start.	<ul style="list-style-type: none"> <li>• Check to assure unit is connected to power supply.</li> <li>• Make sure filters are genuine AeraMax® PRO filters, as unit will not function with other brands. <b>IMPORTANT:</b> Make sure filter detection area on genuine AeraMax® PRO replacement filter aligns with window in filter frame.</li> <li>• Review "Re-Installing Filters" section for further detail.</li> <li>• Make sure front access panel is closed completely.</li> <li>• Make sure power switch is on.</li> </ul>
The unit makes a faint ticking sound.	<ul style="list-style-type: none"> <li>• This indicates that the "PlasmaTRUE™" bipolar ionizer is working.</li> </ul>
The HEPA and/or Carbon Filter replacement indicator light remain lit after replacing the filter(s).	<ul style="list-style-type: none"> <li>• Repeat filter light reset instruction.</li> </ul>



\*Pour obtenir une copie du manuel, veuillez visiter le site [www.aeramaxpro.com](http://www.aeramaxpro.com)

## CONSIGNES DE SÉCURITÉ/MISE EN GARDE

Merci pour votre achat de l'AeraMax® PRO AM IVS.

Veuillez lire et conserver ces consignes. À lire attentivement avant toute tentative d'assemblage, d'installation, d'utilisation ou d'entretien de ce produit. Protégez-vous et autrui en respectant toutes les consignes de sécurité. Le non-respect de ces consignes pourrait entraîner des blessures corporelles et/ou des dégâts matériels. Conserver ces consignes pour pouvoir s'y référer ultérieurement.

### IMPORTANTES MISES EN GARDE ET CONSIGNES CONCERNANT L'UTILISATION DU PURIFICATEUR D'AIR :

**AVERTISSEMENT** : suivre les instructions de ce manuel pour réduire le risque de choc électrique, de court circuit et/ou d'incendie :

- Ne pas utiliser ce purificateur d'air comme unique protection contre les polluants nocifs.
- Utiliser cette unité exclusivement de la façon prévue par le fabricant. Pour toute réponse à vos éventuelles questions, contacter le fabricant.
- Ne pas réparer ni modifier l'appareil à moins de recommandation spécifique dans ce manuel. Toutes les réparations doivent être effectuées par un technicien qualifié.
- La fiche de cet appareil est polarisée, une lame étant plus large que l'autre. Ne pas forcer sur la fiche pour la faire entrer dans une prise électrique.
- Ne modifier la fiche d'aucune façon. Si la fiche n'entre pas dans la prise, l'inverser. Si elle n'entre toujours pas, demander à un technicien qualifié d'installer une prise appropriée.
- Ne pas utiliser l'appareil si son cordon d'alimentation ou sa fiche sont endommagés ou si la connexion à la prise murale est lâche.
- Veiller à ne pas endommager le cordon d'alimentation ; ne pas le couper, le plier, le tirer, le tordre, le rouler serré, l'enduire, le pincer ni poser d'objets lourds dessus.
- Retirer de temps en temps la poussière accumulée sur la fiche. Ceci permettra de réduire les risques d'accumulation d'humidité et par conséquent les risques de décharges électriques.
- Si la fiche est endommagée, la faire remplacer par le fabricant ou un technicien qualifié.
- Retirer la fiche de la prise électrique avant de nettoyer l'appareil. Pour retirer la fiche de la prise électrique, ne jamais tirer sur le cordon ; saisir la fiche elle-même.
- Retirer la fiche de la prise électrique quand l'appareil n'est pas utilisé.
- Ne pas manipuler la fiche avec les mains mouillées.
- Ne pas faire passer le cordon d'alimentation sous une moquette ou le couvrir d'un tapis.
- Le système de contrôle de la qualité de l'air AeraMax® PRO doit être mis à la masse.
- Mettre l'unité hors tension à partir du panneau de service avant tout entretien ou nettoyage. Verrouiller le panneau de service ou apposer une étiquette d'avertissement, pour que personne ne remette l'unité sous tension par mégarde.
- Utiliser uniquement la puissance électrique (tension et fréquence) indiquée pour le modèle de purificateur d'air en cours d'installation.
- Ne pas obstruer les entrées ou sorties d'air du purificateur d'air.
- N'utiliser l'unité qu'après avoir installé les filtres.
- Ne pas laver les filtres afin de les réutiliser.
- N'utiliser aucune pièce ni aucun filtre qui ne soit pas de marque AeraMax® PRO. Cela empêcherait l'unité de fonctionner.
- Ne vaporisez pas d'aérosol sur ou dans l'unité.
- Ne pas utiliser de détergent pour nettoyer l'unité.
- Veiller à ne pas insérer les doigts ni aucun liquide, ou corps étranger dans l'entrée d'air ou les événements.
- Ne pas utiliser l'unité, si ce n'est pour purifier l'air.
- Afin d'éviter tout risque, s'il vient à être endommagé, le cordon d'alimentation doit être remplacé par le fabricant, un de ses agents d'entretien ou une personne qualifiée.
- Surveiller les enfants afin de s'assurer qu'ils ne jouent pas avec l'appareil.
- Cet appareil peut être utilisé par des enfants de 8 ans et plus et des personnes présentant des capacités mentales ou physico-sensorielles réduites, ou un manque d'expérience et de connaissances, s'ils sont surveillés ou formés à une utilisation sûre de l'appareil et s'ils comprennent les risques encourus. Les enfants ne doivent pas jouer avec l'appareil. Le nettoyage et l'entretien ne doivent pas être réalisés par des enfants sans surveillance.

## GARANTIE LIMITÉE DU PRODUIT

Garantie limitée : Fellowes, Inc. (« Fellowes ») garantit le système de contrôle de qualité de l'air (le « Produit ») AeraMax® PRO contre tout défaut de matériaux ou de fabrication pendant les périodes stipulées ci-dessous.

- Pour les appareils PC uniquement : Les compteurs de particules et l'écran d'affichage pour une période de trois (3) ans à partir de la date d'achat initial du Produit.
- Pour les appareils standard et PC : Toutes les autres pièces pour une période de cinq (5) ans à partir de la date d'achat initial du Produit. Si le Produit est installé dans un bâtiment nouvellement construit, la période de garantie commencera au moment où le permis d'occuper sera émis ou un an après la date d'achat, selon la première éventualité. Si une pièce s'avère défectueuse durant la période de garantie, votre seul et unique recours sera la réparation ou le remplacement de la pièce à la discrétion et aux frais de Fellowes. Cette garantie ne couvre pas les dommages causés par l'utilisation de filtres non approuvés par Fellowes ou le non-respect du programme de remplacement recommandé. Cette garantie ne couvre pas les cas d'abus, de manutention inadéquate, de non-conformité aux normes d'usage du produit, d'utilisation d'une source d'alimentation inappropriée (autre que celle indiquée sur l'étiquette) ou de réparation non autorisée. Fellowes se réserve le droit de facturer aux clients tous coûts supplémentaires encourus par Fellowes pour fournir des pièces ou des services à l'extérieur du pays où le produit a été vendu à l'origine par un revendeur autorisé. Cette garantie ne couvre pas les filtres remplaçables. Dans le cas où le Produit ne serait pas facilement accessible au personnel d'entretien désigné par Fellowes, Fellowes se réserve le droit de fournir au client des pièces de rechange ou un Produit afin de s'acquitter pleinement de ses obligations dans le cadre de la présente garantie et de toutes ses obligations en matière d'entretien. TOUTE GARANTIE IMPLICITE, Y COMPRIS CELLE DE QUALITÉ MARCHANDE OU D'ADAPTATION À UNE UTILISATION PARTICULIÈRE, SE LIMITE AUX PRÉSENTES À LA DURÉE DE LA PÉRIODE DE GARANTIE APPROPRIÉE ÉTABLIE DANS CE DOCUMENT. En aucun cas, Fellowes ne sera tenue responsable de quelque façon que ce soit de tout dommage direct ou indirect, accidentel ou non ou spécial attribuable à ce produit. Cette garantie vous donne des droits juridiques spécifiques. La durée, les modalités et les conditions de cette garantie s'appliquent partout dans le monde sauf dans les cas où différentes limites, restrictions ou conditions pourraient être exigées par la loi locale.

## CONTENU DE L'EMBALLAGE

- Système de contrôle de la qualité de l'air AeraMax® PRO :
- Filtre HEPA authentique avec traitement antimicrobien AeraSafe™ (2 filtres)
- Filtre à charbon actif avec préfiltre (2 filtre de chaque type)
- Clés de verrouillage du panneau frontal (2)
- Renseignements concernant l'enregistrement

## CARACTÉRISTIQUES TECHNIQUES DU PRODUIT

AeraMax® PRO AM IVS	
Dimensions (H x L x P)	49,7 x 88,1 x 22,8 cm
Poids du système (filtres inclus)	15,1 kg
Exigences d'alimentation	220-240 V, 50/60 Hz, 1,4 A
Consommation électrique (5 vitesses de ventilateur)	8, 12, 18, 35, 180 watts
Transport de l'air (5 vitesses de ventilateur)	260, 316, 381, 476, 748 CFM
Décibels	42, 44, 51, 53, 68 dB
Affichage	Capacitif tactile, Accès interne uniquement
Capteurs	EnviroSmart™
Modes de fonctionnement contrôlés par capteur	2 modes principaux : mode Normal et mode Silencieux
Filtres fournis	2 filtres HEPA authentique avec traitement antimicrobien AeraSafe™ dont la durée de vie estimée est de 1 an, 2 filtres à charbon actif avec préfiltre dont la durée de vie moyenne est de 6 mois.
Système de nettoyage	Efficacité du filtre d'air à particules à haute efficacité (HEPA) : 99,97 % des particules en suspension dans l'air à 0,3 micron. Le filtre à charbon actif adsorbe les odeurs et les composés organiques volatils, ionisateur bipolaire PlasmaTRUE™.

## FILTRES DE RECHANGES

HEPA 2 po	Remplacement de filtre True HEPA avec traitement AeraSafe™. Durée de vie moyenne du filtre 12 - 18 mois : 9416602 - paquet de 2
Carbone 3/8 po	Filtre de remplacement carbone activé granulaire avec préfiltre. Durée de vie moyenne du filtre 6 mois : 9416502 - paquet de 4
Carbone 2 po	Filtre de remplacement carbone activé granulaire. Durée de vie moyenne du filtre 2 ans : 9436802 - paquet de 2
2 po Hybride 1 po	Filtre de remplacement hybride True HEPA et carbone 1 po avec préfiltre. Durée de vie moyenne du filtre 1 an : 9436902 - paquet de 2

Pour acheter des filtres de rechange supplémentaires et pour obtenir des renseignements sur les accessoires disponibles, veuillez vous rendre sur le site suivant : [www.aeramaxpro.com](http://www.aeramaxpro.com)

## RENSEIGNEMENTS À L'INTENTION DE L'UTILISATEUR

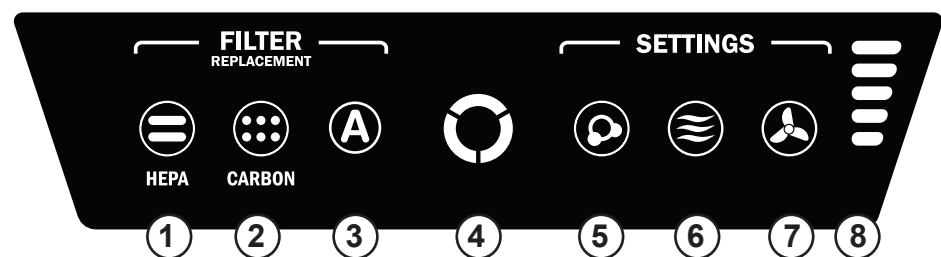
Cet appareil a été testé et est conforme aux limites établies pour un appareil numérique de classe B, conformément à l'alinéa 15 des règles de la FCC. Ces limites sont conçues pour offrir une protection raisonnable contre l'interférence nocive lorsque l'équipement est utilisé dans une installation résidentielle. Cet équipement produit, utilise et peut émettre des radiofréquences et, s'il n'est pas installé et utilisé conformément aux instructions, peut causer un brouillage préjudiciable pour les radiocommunications. Il n'est toutefois pas garanti qu'un brouillage préjudiciable ne se produira pas dans une installation particulière. Si cet équipement entraîne un brouillage préjudiciable pour la réception des programmes radio ou télévisés, ce qui peut être déterminé en allumant puis en éteignant l'équipement, l'utilisateur est encouragé à essayer de corriger le brouillage préjudiciable à l'aide de l'une ou l'autre des mesures suivantes :

- Réorienter ou déplacer l'antenne de réception;
- Augmenter la distance entre l'équipement et le récepteur.
- Connecter l'équipement à une prise sur un circuit différent de celui auquel le récepteur est connecté;
- Consulter le concessionnaire ou un technicien radio/télé expérimenté pour obtenir de l'aide.

**AVERTISSEMENT** : Les changements ou modifications qui ne sont pas approuvés expressément par le fabricant pourraient annuler la garantie et l'autorité de l'utilisateur de faire fonctionner l'équipement.



## PANNEAU D’AFFICHAGE



REMARQUE : une fois l'unité activée, le voyant « QA » clignote pendant quelques minutes lors du calibrage automatique du système.

- INDICATEUR DE REMPLACEMENT DU FILTRE HEPA** : cet indicateur affiche son état à l'ouverture et à la fermeture du panneau d'accès. Le filtre a besoin d'être remplacé lorsque le voyant clignote en rouge. La fréquence de remplacement varie selon le type de filtre utilisé, les heures d'utilisation, la qualité de l'air et le débit d'air. Pour consulter les descriptions des indicateurs de remplacement des filtres, voir la section *INDICATEUR DE REMPLACEMENT DES FILTRES*.
- INDICATEUR DE REMPLACEMENT DU FILTRE À CHARBON ACTIF** : cet indicateur affiche son état à l'ouverture et à la fermeture du panneau d'accès. Le filtre a besoin d'être remplacé lorsque le voyant clignote en rouge. La fréquence de remplacement varie selon le type de filtre utilisé, les heures d'utilisation, la qualité de l'air et le débit d'air. Pour consulter les descriptions des indicateurs de remplacement des filtres, voir la section *INDICATEUR DE REMPLACEMENT DES FILTRES*.
- INDICATEUR D'ACCESSOIRE** : cet indicateur affiche son état à l'ouverture et à la fermeture du panneau d'accès. Cet indicateur ne sera utilisé que si un filtre d'accessoire est installé dans l'unité. Le filtre a besoin d'être remplacé lorsque le voyant clignote en rouge. La fréquence de remplacement varie selon le type de filtre utilisé, les heures d'utilisation, la qualité de l'air et le débit d'air. Pour consulter les descriptions des indicateurs de remplacement des filtres, voir la section *INDICATEUR DE REMPLACEMENT DES FILTRES*.
- CAPTEUR DE QUALITÉ DE L'AIR** : cet indicateur affiche son état à l'ouverture et à la fermeture du panneau d'accès. Cet indicateur contrôle la qualité de l'air et règle la vitesse du ventilateur pour que l'air qui vous entoure reste pur. Les indicateurs bleu, ambre et rouge indiquent la pureté de l'air qui vous entoure.
- TECHNOLOGIE PlasmaTRUE™** : cet indicateur affiche son état à l'ouverture et à la fermeture du panneau d'accès. Produit un champ ionisé pour supprimer les polluants de l'air en toute sécurité. Pour activer et désactiver la TECHNOLOGIE PlasmaTRUE™, appuyez sur l'indicateur PLASMA et maintenez-le enfoncé. Un voyant bleu s'allume lorsque la TECHNOLOGIE PlasmaTRUE™ est activée. Pour désactiver la TECHNOLOGIE PlasmaTRUE™, appuyez sur l'indicateur « PLASMA » jusqu'à ce que le voyant s'éteigne.
- MODE AUTO** : pour sélectionner ce mode, appuyez sur le bouton et le maintenir enfoncé jusqu'à ce que l'icône s'allume. Ce mode utilise la technologie EnviroSmart™ pour surveiller la qualité de l'air, le mouvement, le niveau de bruit et régler la vitesse du ventilateur afin de rétablir la pureté de l'air aussi vite que possible. Ce bouton comporte aussi un MODE SILENCIEUX. Pour le sélectionner, appuyez sur le bouton et le maintenir enfoncé jusqu'à ce que le bouton devienne violet. La machine continuera d'utiliser le mode EnviroSmart™, mais utilisera uniquement les 3 vitesses du ventilateur les plus basses et les plus silencieuses, sur les 5 existantes.
- MODE MANUEL** : pour sélectionner ce mode, appuyez sur le bouton jusqu'à ce que l'icône s'allume. Ce mode vous permet de choisir l'une des 5 vitesses du ventilateur et de maintenir l'appareil à cette vitesse jusqu'à ce que le MODE AUTO soit à nouveau choisi. Les capteurs internes ne permettent pas de régler la vitesse du ventilateur dans ce mode.
- INDICATEURS DE VITESSE DU VENTILATEUR** : le ventilateur possède 5 vitesses et peut atteindre la vitesse turbo afin de nettoyer la pièce en cas d'élévation du niveau de polluants. Le nombre de barres allumées indique la vitesse du ventilateur.

- 1 - silencieuse
- 2 - lente
- 3 - moyenne
- 4 - rapide
- 5 - turbo

## FONCTIONNEMENT

Le purificateur d'air fonctionne en continu en mode automatique ; l'utilisateur peut sélectionner les paramètres que le purificateur d'air doit utiliser selon l'emplacement ou l'utilisation souhaité du purificateur d'air. Le purificateur fonctionnera à une plage réduite de vitesses, ne dépassant pas le niveau maximal sélectionné, afin d'éliminer silencieusement les contaminants de la pièce. Une fois l'air nettoyé, à condition qu'aucun capteur ne soit activé, l'unité passe en mode d'économie d'énergie pour réduire la consommation d'énergie et prolonger la durée de vie des filtres.

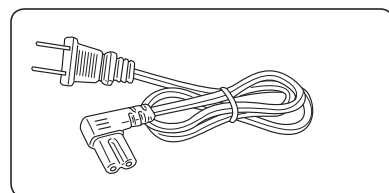
Lorsque le Mode auto est sélectionné, l'indicateur « Mode auto » est bleu. Ce mode utilise la technologie EnviroSmart™ pour surveiller la qualité de l'air, le mouvement, le niveau de bruit et régler la vitesse du ventilateur afin de rétablir la pureté de l'air aussi vite que possible. Une fois l'air nettoyé et à condition qu'aucun capteur ne soit activé, l'unité passe en mode d'économie d'énergie pour réduire la consommation d'énergie et prolonger la durée de vie des filtres.

La machine continuera d'utiliser le mode EnviroSmart™, mais utilisera uniquement les 3 vitesses du ventilateur les plus basses et les plus silencieuses, sur les 5 existantes.

Lorsque le Mode manuel est sélectionné, l'indicateur « Mode manuel » est bleu. Ce mode vous permet de choisir l'une des 5 vitesses du ventilateur et de maintenir l'appareil à cette vitesse tant que le Mode Auto n'est pas de nouveau choisi/sélectionné. Les capteurs internes EnviroSmart™ NE permettent PAS de régler la vitesse du ventilateur dans ce mode.

## INSTALLATION

- Ouvrez l'appareil en appuyant sur les languettes de chaque côté.
- Retirez le/les sacs du/des filtres puis remplacez-le/les dans l'appareil.
- Branchez la fiche CEI dans la prise du cordon d'alimentation à l'arrière de l'appareil.



## ENTRETIEN

### NETTOYAGE :

- Nettoyer l'unité selon le besoin en l'essuyant avec un chiffon doux et sec. Pour les taches tenaces, utiliser un chiffon humecté d'eau tiède.
- Ne pas utiliser de liquides volatils comme le benzène, les diluants pour peinture, ni de poudre à récurer ou autres nettoyants, car cela pourrait endommager la surface de l'unité.
- Nettoyer les événements d'entrée et de sortie en les essuyant avec un chiffon doux et sec.

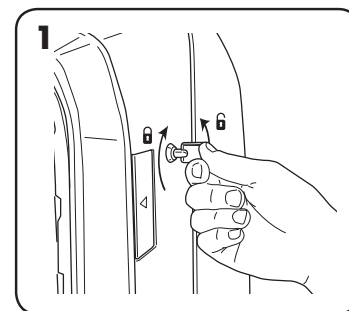
### INDICATEURS DE REMPLACEMENT DES FILTRES :

Les indicateurs de remplacement des filtres indiquent le moment où les filtres HEPA et/ou à charbon actif avec préfiltre doivent être remplacés. La période de remplacement varie en fonction des heures d'utilisation ainsi que de la qualité et du flux de l'air. Toutefois, dans des conditions d'utilisation normales, la plupart des filtres HEPA doivent être remplacés tous les 2 ans et les filtres à charbon avec préfiltre tous les 6 mois. Tout indicateur de remplacement de filtre HEPA, CHARBON ACTIF or ACCESSOIRE nécessitant un remplacement affiche la couleur suivante :

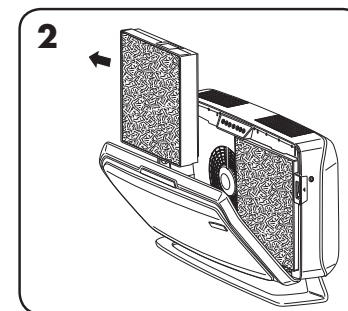
- Clignotement en rouge = filtre de DROITE plein à 90 %
- Clignotement en orange = filtre de GAUCHE plein à 90 %
- Clignotement en rouge, Pause, clignotement en orange, Pause = filtres de DROITE et de GAUCHE pleins à 90 %
- Rouge = Remplacer le filtre de DROITE
- Orange = Remplacer le filtre de GAUCHE
- Rouge alternant avec orange = Remplacer les filtres de Droite et de Gauche

Ne pas nettoyer ni réutiliser n'importe quel filtre. Cela aurait un impact sur leur efficacité. Utiliser uniquement des filtres de rechange de marque AeraMax® PRO. Sinon, l'unité ne fonctionnera pas.

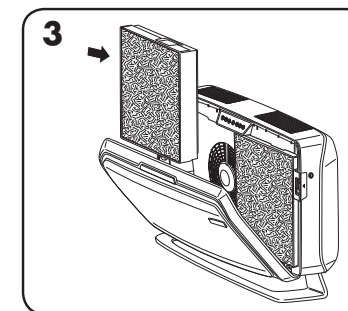
### PROCÉDURE DE REMPLACEMENT DES FILTRES :



Déverrouiller le panneau d'accès : pour déverrouiller, insérer la clé fournie et la faire tourner d'un quart de tour dans le sens antihoraire.



Ouvrir le panneau d'accès frontal en appuyant sur les loquets situés des deux côtés de l'unité. Laisser le panneau s'ouvrir complètement. Retirer les filtres à remplacer.



Sortir les nouveaux filtres de leur emballage et les réinstaller.

### REPLACEMENT D'UN FILTRE :

Lors de l'installation d'un nouveau filtre, l'unité détecte automatiquement le type de filtre mais vous devez réinitialiser manuellement les indicateurs de remplacement du filtre. Pour réinitialiser n'importe lequel des indicateurs de remplacement des filtres, suivre la procédure ci-dessous :

- Appuyer sur l'indicateur allumé et le maintenir enfoncé pendant trois secondes jusqu'à ce qu'un bip se fasse entendre et que l'indicateur clignote en vert.
- Détacher son doigt de l'indicateur.
- Appuyer sur l'indicateur allumé et le maintenir enfoncé pendant trois secondes jusqu'à ce qu'un bip se fasse entendre et que l'indicateur clignote en vert.

Remarque : Si l'étape trois ne s'achève moins de 10 secondes après l'achèvement de l'étape 1, le voyant indicateur ne sera pas réinitialisé.

## DÉPANNAGE

PROBLÈME :	SOLUTION PROBABLE :
Le système de contrôle de la qualité de l'air ne parvient pas à démarrer.	<ul style="list-style-type: none"> <li>S'assurer que l'unité est connectée à un bloc d'alimentation.</li> <li>S'assurer que les filtres sont bien des filtres AeraMax® PRO authentiques, car l'unité ne peut pas fonctionner avec des filtres d'autres marques. IMPORTANT : S'assurer que la zone de détection des filtres sur le filtre de remplacement AeraMax® PRO authentique s'aligne avec la fenêtre dans le cadre du filtre.</li> <li>Consulter la section « Réinstallation des filtres » pour en savoir plus.</li> <li>S'assurer que le panneau d'accès frontal est complètement fermé.</li> <li>S'assurer que le commutateur d'alimentation est à la position de mise en marche</li> </ul>
L'unité émet un faible bruit semblable au mécanisme d'une horloge.	<ul style="list-style-type: none"> <li>Ceci indique que l'ionisateur bipolaire « PlasmaTRUE™ » fonctionne.</li> </ul>
L'indicateur de remplacement des filtres HEPA et/ou à charbon actif reste allumé après le remplacement des filtres.	<ul style="list-style-type: none"> <li>Répéter la procédure de réinitialisation des voyants des filtres.</li> </ul>

\* Para obtener una copia del manual visite [www.aeramaxpro.com](http://www.aeramaxpro.com)

## INSTRUCCIONES DE SEGURIDAD / ADVERTENCIA

Gracias por adquirir el AeraMax® PRO AM IVS.

Lea y guarde estas instrucciones. Lea cuidadosamente antes de intentar ensamblar, instalar, operar o realizar el mantenimiento de este producto. Protéjase a sí mismo y a los demás mediante el cumplimiento de toda la información de seguridad. El incumplimiento de las instrucciones podría resultar en lesiones personales y/o daños a la propiedad. Guarde las instrucciones para referencia futura.

### PRECAUCIONES E INSTRUCCIONES IMPORTANTES PARA USAR EL PURIFICADOR DE AIRE

**ADVERTENCIA:** Siga las instrucciones de este manual a fin de disminuir el riesgo de choque eléctrico, cortocircuito o incendio:

- No use este purificador de aire como única protección contra los contaminantes dañinos.
- Use la unidad solo de la manera indicada por el fabricante. Si tiene alguna pregunta, póngase en contacto con el fabricante.
- No repare ni modifique la unidad excepto que se recomiende específicamente en este manual. Toda reparación deberá ser realizada por un técnico cualificado.
- El enchufe para esta unidad está polarizado con un contacto más ancho que el otro. No fuerce el enchufe en una toma de corriente eléctrica.
- No altere el enchufe de ninguna manera. Si el enchufe no entra en la toma, voltee el enchufe. Si tampoco entra de esta forma, póngase en contacto con un técnico cualificado para instalar una toma adecuada.
- No utilice el producto si el cable de alimentación o el enchufe están dañados o si la conexión a la toma de la pared está floja.
- No dañe, rompa, doble a la fuerza, tire, retuerza, acople, cubra, apriete o coloque objetos pesados sobre el cable de alimentación.
- Limpie el polvo del enchufe de forma periódica. Esto reducirá la posibilidad de que se acumule humedad, lo que aumenta el riesgo de descarga eléctrica.
- Si el enchufe está dañado, el fabricante o un técnico cualificado deberán cambiarlo.
- Desconecte el enchufe de la toma antes de limpiar la unidad. Al desconectar el enchufe, sujételo por el propio enchufe, nunca por el cable.
- Desconecte el enchufe de la toma cuando no use la unidad.
- No toque el enchufe con las manos mojadas.
- No coloque el cable de alimentación debajo de moquetas ni lo cubra con alfombras.
- El sistema de control de calidad del aire AeraMax® debe estar conectado a tierra.
- Antes de reparar o limpiar la unidad, desconecte la alimentación de energía del panel de servicio. Bloquee el panel de servicio o coloque una etiqueta de advertencia para evitar que se vuelva a activar la alimentación eléctrica accidentalmente.
- Utilice únicamente la fuente de alimentación eléctrica (voltaje y frecuencia) especificada para el modelo de purificador de aire que se está instalando.
- No obstruya la entrada ni la salida de aire del purificador de aire.
- No utilice la unidad sin los filtros instalados.
- No lave ni vuelva a utilizar los mismos filtros.
- No utilice accesorios ni filtros que no sean de la marca AeraMax® PRO, ya que la unidad no funcionará.
- No rocíe insecticidas sobre la unidad.
- No use detergente para limpiar la unidad.
- No introduzca los dedos ni objetos extraños en la entrada o la salida de aire.
- No utilice la unidad para otro fin que no sea la purificación de aire.
- Si el cable de alimentación está dañado, debe ser reemplazado por el fabricante, su agente de servicio o por personal capacitado con el fin de evitar un peligro.
- Los niños deben ser supervisados para asegurarse de que no jueguen con el aparato.
- Este dispositivo puede ser utilizado por niños mayores de 8 años y por personas discapacitadas física o mentalmente, o que no dispongan de la experiencia y los conocimientos pertinentes, si han recibido supervisión o instrucciones sobre el uso seguro del dispositivo y comprenden los riesgos que conlleva. Los niños no deben jugar con el dispositivo. Los niños no deben realizar las tareas de limpieza y mantenimiento sin supervisión.

## GARANTÍA LIMITADA DEL PRODUCTO

Garantía limitada: Fellowes, Inc. ("Fellowes") garantiza que el sistema de control de calidad del aire AeraMax® PRO (el "Producto") no contiene defectos de materiales ni mano de obra durante el periodo indicado a continuación.

- Para unidades de PC solamente: Los contadores de partículas y la pantalla de visualización por un periodo de tres (3) años a partir de la fecha de compra original del Producto.
- Para unidades estándar y de PC: Todas las otras partes por un periodo de cinco (5) años a partir de la fecha de compra original del Producto. En el caso de que el producto se instale en una construcción nueva, el periodo de garantía comenzará en la fecha del permiso de ocupación o un año después de la fecha de compra, lo que ocurra primero. Si se encuentra algún defecto en cualquiera de las piezas durante el periodo de garantía, la única y exclusiva solución será la reparación o el cambio de la pieza defectuosa, a criterio y cuenta de Fellowes. Esta garantía no cubre los daños producidos por el uso de filtros que no han sido aprobados por Fellowes o por no seguir el calendario de reemplazos recomendado. Esta garantía no rige para casos de abuso, uso indebido, incapacidad de cumplir con las normas de uso del producto, operación mediante una fuente de alimentación indebida (distinta a la que sale en la etiqueta) o reparaciones no autorizadas. Fellowes se reserva el derecho a cobrar a los consumidores el coste adicional que Fellowes tenga para suministrar piezas o servicios fuera del país en el que un revendedor autorizado haya vendido originalmente el producto. Esta garantía no cubre los filtros reemplazables. En el caso de que el acceso al producto sea dificultoso para el personal de servicio Fellowes designado, Fellowes se reserva el derecho de suministrar al cliente las piezas de repuesto o los productos en la plena satisfacción de sus obligaciones bajo esta garantía y las obligaciones de servicio. **POR MEDIO DEL PRESENTE, TODA GARANTÍA IMPLÍCITA, INCLUIDA LA GARANTÍA DE COMERCIABILIDAD O ADAPTABILIDAD PARA UN PROPÓSITO ESPECÍFICO, SE LIMITA AL PERÍODO DE DURACIÓN CORRESPONDIENTE DE LA GARANTÍA CONFERIDA ANTERIORMENTE.** En ningún caso, Fellowes será responsable de cualquier daño directo que pueda atribuirse a este producto. Esta garantía le confiere derechos legales específicos. La duración y los términos y condiciones de esta garantía son válidos en todo el mundo, excepto en los lugares donde la legislación local exija limitaciones, restricciones o condiciones diferentes.

## CONTENIDO DEL PAQUETE

- Sistema de control de calidad de aire AeraMax® PRO
- Filtros True HEPA con tratamiento antimicrobiano AeraSafe™ (2 filtros)
- Filtro de carbón activado con prefiltro (2 de cada filtro)
- Llaves para cierre del panel frontal (2)
- Información de registro

## ESPECIFICACIONES DEL PRODUCTO

AeraMax® PRO AM IVS	
Tamaño (Alto X Largo X Profundidad)	49,7 x 88,1 x 22,8 cm
Peso del sistema (filtros incluidos)	15,1 kg
Tensión requerida:	220-240V, 50/60Hz, 1,4A
Consumo de energía (5 velocidades del ventilador)	8, 12, 18, 35, 180 vatios
Entrega de aire (5 velocidades del ventilador)	260, 316, 381, 476, 748 CFM
Decibeles	42, 44, 51, 53, 68 dB
Pantalla	Táctil capacitiva, sólo acceso interno
Sensores	EnviroSmart™
Modos de funcionamiento controlados por sensor	2 modos principales: modo normal y modo silencioso
Filtros suministrados	2 Filtros True HEPA con tratamiento antimicrobiano AeraSafe™ con una vida media estimada del filtro de 1 año, 2 Filtros de carbón activado con prefiltro, con una vida útil media del filtro de 6 meses.
Sistema de limpieza	El filtro de alta eficiencia para partículas de aire (HEPA) tiene una eficiencia del 99,97 % y partículas en el aire de 0,3 micras. El filtro de carbón adsorbe el mal olor y los compuestos orgánicos volátiles, con el ionizador bipolar PlasmaTRUE™.

## FILTROS DE REPUESTO

HEPA de 2 pulgadas	Repuesto del filtro True HEPA con tratamiento AeraSafe™. Vida media del filtro de 12 a 18 meses: 9416602 - 2 paquetes
De carbono de 3/8 pulgadas	Filtro de carbono activado granular de repuesto con prefiltro. Vida media del filtro de 6 meses: 9416502 - 4 paquetes
De carbono de 2 pulgadas	Filtro de carbono activado granular de repuesto. Vida media del filtro de 2 años: 9436802 - 2 paquetes
Híbrido de 2 pulgadas con 1 pulgada	Filtro híbrido de repuesto True HEPA y de carbono de 1 pulgada con prefiltro. Vida media del filtro de 1 año: 9436902 - 2 paquetes

Para obtener otro filtro de repuesto e información sobre accesorios visite: [www.aeramaxpro.com](http://www.aeramaxpro.com)

## INFORMACIÓN PARA EL USUARIO

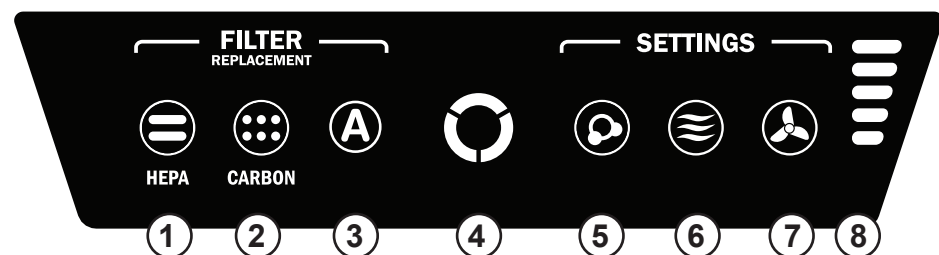
Este equipo ha estado sujeto a pruebas y cumple con los límites de dispositivo digital Clase B, conforme a la sección 15 de las Normas de la FCC. Dichos límites se han diseñado para proporcionar una protección razonable contra la interferencia dañina en instalaciones residenciales. Este equipo genera, usa y puede irradiar energía de radiofrecuencia y, si no se instala y usa conforme a las instrucciones, puede ocasionar interferencia dañina en las comunicaciones de radio. No obstante, no se garantiza que no ocurran interferencias en una instalación en particular. Si este equipo provoca interferencias dañinas a la recepción de radio o televisión, que se puede determinar al encender y apagar el equipo, se recomienda al usuario intentar corregir la interferencia a través de la implementación de una o más de las siguientes medidas:

- Cambie la orientación o la ubicación de la antena de recepción.
- Aumente la separación entre el equipo y el receptor.
- Conecte el equipo a la toma de un circuito que no sea a la que está conectado el receptor.
- Consulte al distribuidor o a un técnico de radio/TV especializado para obtener ayuda.

**ADVERTENCIA:** Los cambios o las modificaciones que no cuenten con la aprobación expresa del fabricante pueden anular la autorización al usuario para utilizar el equipo.



## PANEL DE VISUALIZACIÓN



NOTA: después de que la unidad se enciende, la luz "AQ" parpadeará durante unos minutos mientras el sistema se autocalibra.

- INDICADOR DE REEMPLAZO DEL FILTRO HEPA:** este indicador mostrará su estado cuando el panel de acceso esté abierto o cerrado. Si la luz es roja, indica que el filtro necesita ser reemplazado. El período para reemplazo varía según las horas de uso, la calidad del aire y la ubicación de la unidad. Para obtener descripciones de indicadores de reemplazo del filtro consulte la sección **INDICADORES DE REEMPLAZO DEL FILTRO**.
- INDICADOR DE REEMPLAZO DEL FILTRO DE CARBONO:** este indicador mostrará su estado cuando el panel de acceso esté abierto o cerrado. Si la luz es roja, indica que el filtro necesita ser reemplazado. El período para reemplazo varía según las horas de uso, la calidad del aire y la ubicación de la unidad. Para obtener descripciones de indicadores de reemplazo del filtro consulte la sección **INDICADORES DE REEMPLAZO DEL FILTRO**.
- INDICADOR DE ACCESORIOS:** este indicador mostrará su estado cuando el panel de acceso esté abierto o cerrado. Este indicador sólo se utiliza si un filtro de accesorio se encuentra instalado en la unidad. Si la luz es roja, indica que el filtro necesita ser reemplazado. El período para reemplazo varía según las horas de uso, la calidad del aire y la ubicación de la unidad. Para obtener descripciones de indicadores de reemplazo del filtro consulte la sección **INDICADORES DE REEMPLAZO DEL FILTRO**.
- SENSOR DE CALIDAD DEL AIRE:** este indicador mostrará su estado cuando el panel de acceso esté abierto o cerrado. Este indicador controla la calidad del aire y ajusta la velocidad del ventilador para mantener el aire purificado. Las luces azul, ámbar y roja indican la pureza del aire.
- TECNOLOGÍA PlasmaTRUE™:** este indicador mostrará su estado cuando el panel de acceso esté abierto o cerrado. Crea un campo ionizado para ayudar a eliminar de forma segura los contaminantes atmosféricos. Para encender y apagar la TECNOLOGÍA PlasmaTRUE™ mantenga presionado el indicador PLASMA. Se encenderá una luz azul cuando la tecnología PlasmaTRUE™ esté habilitada. Para desactivar la TECNOLOGÍA PlasmaTRUE™ mantenga presionado el indicador "Plasma" hasta que se apague la luz.
- MODO AUTOMÁTICO:** para seleccionarlo, presione y mantenga presionado el botón hasta que se ilumine el icono. Este modo utiliza la tecnología EnviroSmart™ para controlar la calidad del aire, el movimiento y el nivel de ruido con el fin de ajustar la velocidad del ventilador y purificar el aire con la mayor rapidez posible. Este botón también incluye el MODO SILENCIOSO. Para seleccionarlo, mantenga presionado el botón hasta que se ponga en morado. La máquina continuará utilizando EnviroSmart™, pero solo utiliza la 3a velocidad más baja y más silenciosa de las 5 velocidades del ventilador.
- MODO MANUAL:** para seleccionarlo, presione y mantenga presionado el botón hasta que se ilumine el icono. Este modo le permite elegir una de las 5 velocidades del ventilador y mantener la unidad a esta velocidad hasta que vuelva a seleccionarse el MODO AUTOMÁTICO. Los sensores internos no ajustarán la velocidad del ventilador en este modo.
- INDICADORES DE VELOCIDAD DEL VENTILADOR:** el ventilador tiene 5 velocidades y puede alcanzar la velocidad turbo para limpiar la habitación cuando haya altos niveles de contaminantes. El número de barras iluminadas indica la velocidad del ventilador.
 

1. susurro	4. alto
2. bajo	5. turbo
3. medio	

## FUNCIONAMIENTO

El purificador de aire funciona de forma continua en modo automático; el usuario puede seleccionar qué preferencia le gustaría que el purificador use según la ubicación o el funcionamiento deseado del purificador de aire. El purificador operará con una gama de velocidades minimizada, que no exceda el nivel máximo seleccionado, con el fin de que funcione en silencio mientras que limpia los contaminantes de la habitación. Una vez que el aire se limpie y que no haya sensores activados, la unidad se pasará al modo de ahorro de energía para reducir el consumo de energía y extender la vida de los filtros.

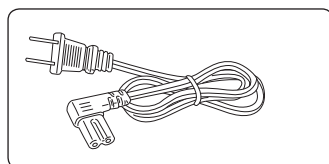
Cuando esté seleccionado el Modo automático, el indicador de modo automático se pondrá en azul. Este modo utiliza la tecnología EnviroSmart™ para controlar la calidad del aire, el movimiento y el nivel de ruido con el fin de ajustar la velocidad del ventilador y purificar el aire con la mayor rapidez posible. Una vez que el aire se limpie y cuando no hay sensores activados, la unidad se pasará al modo de ahorro de energía para reducir el consumo de energía y extender la vida de los filtros.

La máquina continuará utilizando EnviroSmart™, pero solo utiliza la 3a velocidad más baja y más silenciosa de las 5 velocidades del ventilador.

Cuando esté seleccionado el Modo manual, el indicador de modo manual se pondrá en azul. Este modo le permite elegir una de las 5 velocidades del ventilador y mantener la unidad a esta velocidad hasta que se seleccione el Modo automático. Los sensores EnviroSmart™ NO ajustarán la velocidad del ventilador en este modo.

## CONFIGURAR

- Abra la unidad presionando los pestillos de ambos lados.
- Retire la bolsa o las bolsas del filtro o los filtros y vuelva a colocarlas en la unidad.
- Conecte el enchufe IEC en el conector del cable de alimentación de la parte posterior de la unidad.



## CUIDADO Y MANTENIMIENTO

### LIMPIEZA:

- Limpe la unidad según sea necesario con un trapo suave y seco; en el caso de manchas alimentación, use un trapo humedecido con agua tibia.
- No use líquidos volátiles como benceno, diluyente de pintura o polvo abrasivo, ya que pueden dañar la superficie de la unidad.
- Limpe las rejillas de ventilación de entrada y escape frotando con un paño seco y suave.

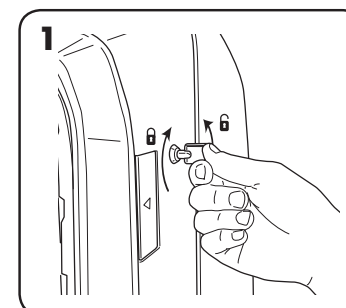
### INDICADORES DE REEMPLAZO DE FILTRO:

Los indicadores de reemplazo del filtro notificarán cuándo se debe cambiar el filtro True HEPA o el filtro de carbón. El período de reemplazo varía según las horas de uso, la calidad del aire y la ubicación de la unidad. No obstante, en condiciones normales de uso, la mayoría de los filtros HEPA necesitan ser reemplazados anualmente, y los filtros de carbón cada tres meses. Cuando un filtro se debe reemplazar se mostrará el siguiente color en los HEPA, indicadores CARBONO o accesorio de reemplazo de filtro:

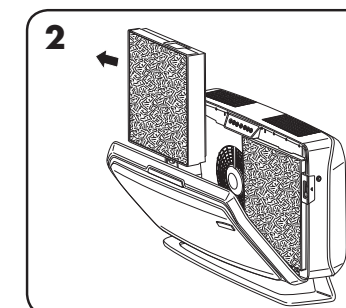
- Rojo intermitente = filtro DERECHO al 90 % de su capacidad
- Ámbar intermitente = filtro IZQUIERDO al 90 % de su capacidad
- Flash rojo, Pausa, Flash ámbar, Pausa = Filtros derecho e IZQUIERDO al 90 % de su capacidad
- Rojo = Cambiar el filtro DERECHO
- Ámbar = Cambiar el filtro IZQUIERDO
- Rojo y ámbar alternante = Reemplace los filtros derecho e izquierdo

No lavar ni reutilizar los filtros; no funcionarán con eficacia. Utilice solo filtros de repuesto de la marca AeraMax® PRO ya que las unidades no funcionarán con cualquier otro reemplazo.

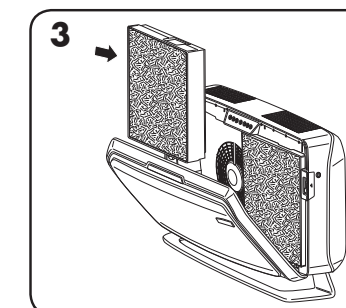
### PROCEDIMIENTO DE REEMPLAZO DEL FILTRO:



Desbloquear el panel de acceso: para desbloquear, inserte la llave suministrada y gire hacia la izquierda 1/4 de vuelta.



Abra el panel frontal presionando los pestillos en ambos lados de la unidad. Deje que el panel se abra completamente. Retire el o los filtros que se reemplazarán.



Retire cualquier envoltura de embalaje de los nuevos filtros y vuelva a instalarlos.

### Reemplazo de los filtros

Al instalar un nuevo filtro, la unidad detectará automáticamente el tipo de filtro, pero el usuario tendrá que restablecer manualmente los indicadores de sustitución del filtro. Para reiniciar un indicador intermitente de reemplazo de filtro utilice el siguiente procedimiento:

- Mantenga presionado el indicador iluminado durante tres segundos hasta que se escuche un pitido y el indicador parpadee en verde.
- Quite el dedo del indicador.
- Mantenga presionado el indicador durante tres segundos hasta que se escuche un pitido y el indicador luminoso se apague.

**Nota:** Si no completa el tercer paso dentro de los 10 segundos de completar el paso 1, la luz indicadora no se restablecerá.

## SOLUCIÓN DE PROBLEMAS

PROBLEMA:	POSIBLE SOLUCIÓN:
El sistema de control de la calidad del aire no se puede iniciar.	<ul style="list-style-type: none"> <li>Revise para asegurarse de que la unidad esté conectada a la fuente de alimentación.</li> <li>Asegúrese de que los filtros AeraMax® PRO sean originales, ya que la unidad no funcionará con otras marcas. <b>IMPORTANTE:</b> Asegúrese de que el área de detección de filtro en el filtro de repuesto original AeraMax® PRO esté alineada con la ventana en el marco del filtro.</li> <li>Repase la sección "Reinstalación de filtros" para obtener más detalles.</li> <li>Asegúrese de que el panel de acceso frontal esté cerrado por completo.</li> <li>Asegúrese de que el interruptor de alimentación esté encendido.</li> </ul>
La unidad hace un sonido casi imperceptible, similar al de un reloj.	<ul style="list-style-type: none"> <li>Esto indica que el ionizador bipolar "PlasmaTRUE™" está trabajando.</li> </ul>
La luz indicadora de reemplazo del filtro de carbono y/o HEPA permanecerá encendida después de sustituir los filtros.	<ul style="list-style-type: none"> <li>Repita las instrucciones de restablecimiento de la luz del filtro.</li> </ul>



Nur für den Hausgebrauch und ähnliche Zwecke

\*Besuchen Sie bitte [www.aeramaxpro.com](http://www.aeramaxpro.com), um eine Kopie des Benutzerhandbuchs zu erhalten

**SICHERHEITSHINWEISE/WARNHINWEIS**

Vielen Dank für Ihren Kauf des AeraMax® PRO AM IVS.

Bitte lesen Sie diese Anweisungen und bewahren Sie sie auf. Lesen Sie sie sorgfältig durch, bevor Sie versuchen dieses Produkt zusammenzubauen, zu installieren, in Betrieb zu nehmen oder zu warten. Schützen Sie sich und andere durch Beachtung aller Sicherheitshinweise. Wird den Sicherheitshinweisen nicht Folge geleistet, kann dies Personen- und Sachschäden zur Folge haben. Bewahren Sie die Anweisungen zum späteren Nachschlagen auf.

**WICHTIGE VORSICHTSHINWEISE UND ANLEITUNGEN ZUM GEBRAUCH DES LUFTREINIGERS**

**WARNHINWEIS:** Befolgen Sie die Anleitungen in diesem Handbuch, um das Risiko von Stromschlag, Kurzschluss und/oder Brand zu senken:

- Verwenden Sie diesen Luftreiniger nicht als alleinigen Schutz gegen gefährliche Schadstoffe.
- Verwenden Sie dieses Gerät nur in der vom Hersteller vorgesehenen Weise. Kontaktieren Sie bei Fragen den Hersteller.
- Das Gerät nicht reparieren und keine Änderungen daran vornehmen, es sei denn, es wird in diesem Handbuch speziell empfohlen. Alle Reparaturarbeiten müssen von einem qualifizierten Techniker durchgeführt werden.
- Nutzung nur außerhalb der Zone 2 zugelassen.
- Das Gerät muss mit Fehlerstrom-Schutzeinrichtungen (RCDs) mit einem Bemessungsfehlerbetriebsstrom von maximal 30 mA verwendet werden.
- Der Stecker dieses Geräts ist polarisiert, wobei ein Kontakt breiter ist als der andere. Den Stecker nicht gewaltsam in eine Steckdose einführen.
- Der Stecker darf nicht verändert werden. Falls der Stecker nicht in die Steckdose passt, den Stecker umdrehen. Falls er noch immer nicht passt, muss ein qualifizierter Techniker eine geeignete Steckdose installieren.
- Nicht benutzen, falls Netzkabel oder Stecker beschädigt sind oder die Verbindung zur Wandsteckdose lose ist.
- Das Netzkabel nicht beschädigen, knicken, vorsätzlich verbiegen, auseinander ziehen, verdrehen, bündeln, beschichten oder zwicken und keine schweren Objekte darauf stellen.
- Von Zeit zu Zeit Staub vom Stecker entfernen. Dadurch besteht weniger Möglichkeit, dass sich Feuchtigkeit ansammelt, was die Stromschlaggefahr erhöht.
- Falls der Stecker beschädigt ist, muss er vom Hersteller oder von einem qualifizierten Techniker ersetzt werden.
- Vor dem Reinigen des Geräts den Stecker aus der Steckdose ziehen. Den Stecker nicht am Kabel aus der Steckdose ziehen.
- Den Stecker aus der Steckdose ziehen, wenn das Gerät nicht in Betrieb ist.
- Den Stecker nicht mit nassen Händen anfassen.
- Stromkabel nicht unter Teppichen verlegen oder mit Läufern abdecken.
- Das AeraMax® PRO Luftreinhaltsystem muss geerdet sein.
- Schalten Sie vor der Wartung oder der Reinigung des Geräts den Strom am Sicherungskasten aus. Schließen Sie den Sicherungskasten ab oder bringen Sie einen Warnhinweis an, um zu verhindern, dass der Strom versehentlich wieder eingeschaltet wird.
- Verwenden Sie ausschließlich die für das derzeit installierte Modell des Luftreinigers spezifizierte elektrische Spannung und Frequenz.
- Blockieren Sie den Luftein- oder Luftauslass des Luftreinigers nicht.
- Verwenden Sie das Produkt nicht ohne installierte Filter.
- Waschen Sie die Filter nicht und verwenden Sie sie nicht erneut.
- Verwenden Sie keine Zusatzgeräte oder Filter einer anderen Marke als AeraMax® PRO, da das Gerät sonst nicht funktioniert.
- Sprühen Sie keine Aerosole auf oder in das Gerät.
- Verwenden Sie zum Reinigen des Geräts kein Waschmittel.
- Stecken Sie weder Finger, Flüssigkeiten noch andere Fremdkörper in die Luftansaug- oder Auslassöffnung.
- Verwenden Sie das Gerät für nichts anderes als zur Luftreinigung.
- Falls das Stromkabel beschädigt ist, muss es vom Hersteller, seinem Servicepartner oder einer ähnlich qualifizierten Person ersetzt werden, um eine Gefahr auszuschließen.
- Kinder müssen beaufsichtigt werden, damit sie nicht mit dem Gerät spielen.
- Dieses Gerät darf nur von Kindern über 8 Jahren und Personen mit reduzierten körperlichen, sensorischen oder geistigen Fähigkeiten oder ohne Erfahrung und Kenntnisse eingesetzt werden, wenn sie beaufsichtigt werden oder über den sicheren Einsatz des Geräts unterrichtet wurden und die damit verbundenen Gefahren verstehen. Kinder dürfen mit diesem Gerät nicht spielen. Die Reinigung und Wartung durch den Benutzer darf nicht von unbeaufsichtigten Kindern vorgenommen werden.

**BESCHRÄNKTE PRODUKTGARANTIE**

Beschränkte Garantie: Fellowes, Inc. („Fellowes“) garantiert, dass das AeraMax® PRO Luftreinhaltsystem (das „Produkt“) für die unten genannten Zeiträume frei von Defekten hinsichtlich Material und Verarbeitung ist.

- Nur für PC-Geräte: Der Partikelzähler und der Bildschirm für einen Zeitraum von drei (3) Jahren ab Kaufdatum des jeweiligen Produkts.
- Standard- und PC-Geräte: Alle anderen Teile für einen Zeitraum von fünf (5) Jahren ab Kaufdatum des jeweiligen Produkts. Für den Fall, dass das Produkt in einem neuen Gebäude installiert wird, beginnt der Garantiezeitraum ab dem Datum der Bauabnahme oder ein Jahr nach Kaufdatum, je nachdem, was früher eintritt. Sollte sich ein Teil innerhalb der Garantiezeit als defekt erweisen, haben Sie einzig und allein Anspruch auf kostenlose Reparatur oder kostenlosen Ersatz des defekten Teils nach Ermessen von Fellowes. Diese Garantie deckt keine Schäden ab, die durch die Nutzung von Filtern, die nicht von Fellowes zugelassen wurden, oder eine Nichteinhaltung des empfohlenen Ersatzverfahrens verursacht wurden. Diese Garantie schließt Missbrauch, unsachgemäße Handhabung, Nichteinhaltung von Produktnutzungsstandards, Betrieb mit einer falschen (einer anderen als auf dem Etikett angegebenen) Stromversorgung oder unbefugte Reparaturen aus. Fellowes behält sich das Recht vor, den Verbrauchern zusätzliche Kosten in Rechnung zu stellen, die für Fellowes anfallen, um Teile oder Dienstleistungen außerhalb des Landes zur Verfügung zu stellen, in dem das Produkt ursprünglich von einem autorisierten Wiederverkäufer verkauft worden ist. Austauschbare Filter sind in dieser Garantie nicht enthalten. Für den Fall, dass das Produkt für Service-Personal von Fellowes nicht zugänglich ist, behält sich Fellowes das Recht vor, dem Kunden in voller Erfüllung seiner in dieser Garantie enthaltenen Verpflichtungen Ersatzteile oder Produktersatz zur Verfügung zu stellen. **ALLE STILLSCHWEIGENDEN GARANTIEEN, EINSCHLIESSLICH DIE DER MARKTGÄNGIGKEIT ODER EIGNUNG FÜR EINEN BESTIMMTEN ZWECK, WERDEN HIERMIT AUF DIE DAUER DER VORSTEHEND ANGEFÜHRTEN GARANTIEZEIT BESCHRÄNKT. AUF KEINEN FALL HAFET FELLOWES FÜR FOLGESCHÄDEN, ZUFÄLLIGE, INDIRECTE ODER SPEZIELLE SCHÄDEN.** Diese Garantie gewährt Ihnen bestimmte Rechte. Dauer, Bedingungen und Konditionen dieser Garantie gelten weltweit, außer lokale Gesetze schreiben andere Begrenzungen, Einschränkungen oder Konditionen vor.

**PACKUNGSGEHALT**

- AeraMax® PRO Luftreinhaltsystem
- True HEPA-Filter mit antimikrobieller AeraSafe™ Behandlung (2 Filter)
- Aktivkohlefilter mit Vorfilter (2 von jedem Filter)
- Schlüssel zum Sperren der vorderen Abdeckung (2)
- Registrierungsinformationen

**PRODUKTSPEZIFIKATIONEN**

AeraMax® PRO AM IVS	
Maße (H x B x D)	49,7 x 88,1 x 22,8 cm
Gewicht des Systems (einschließlich aller Filter)	15,1 kg
Stromanforderungen	220-240 V 50/60Hz, 1,4A
Leistungsaufnahme (5 Lüftergeschwindigkeiten)	8, 12, 18, 35, 180 Watt
Luftförderung (5 Lüftergeschwindigkeiten)	260, 316, 381, 476, 748 m³/h
Dezibel	42, 44, 51, 53, 68 dB
Anzeige	Kapazitive Touch-Sensorfelder, nur interner Zugriff
Sensoren	EnviroSmart™
Sensorgesteuerte Betriebsmodi	2 primäre Modi - Normaler Modus und Leise-Modus
Mitgelieferte Filter	2 True HEPA-Filter mit AeraSafe™ antimikrobieller Behandlung mit einer geschätzten durchschnittlichen Filterlebensdauer von 1 Jahr, 2 Aktivkohlefilter mit Vorfilter, mit einer geschätzten durchschnittlichen Lebensdauer von 6 Monaten.
Reinigungssystem	High Efficiency Particulate Air (HEPA) Filter mit einer Effizienzbewertung von 99.97% für Feinstaub von 0.3 Mikrometern. Kohlefilter absorbiert Gerüche und flüchtige organische Verbindungen mit bipolarem PlasmaTRUE™-Ionisator.

**ERSATZFILTER**

2 Zoll HEPA	True HEPA-Ersatzfilter mit AeraSafe™-Behandlung. Durchschnittliche Filterlebensdauer von 12 bis 18 Monaten: 9416602 - 2er Karton
3/8 Zoll Kohle	Granular-Aktivkohleersatzfilter mit Vorfilterung. Durchschnittliche Filterlebensdauer von 6 Monaten: 9416502 - 4er Karton
2 Zoll Kohle	Granular-Aktivkohleersatzfilter. Durchschnittliche Filterlebensdauer von 2 Jahren: 9436802 - 2er Karton
2 Zoll Hybrid 1 Zoll	True HEPA und 1 Zoll Kohle mit Vorfilterungs-Hybridsatzfilter. Durchschnittliche Filterlebensdauer von 1 Jahr: 9436902 - 2er Karton

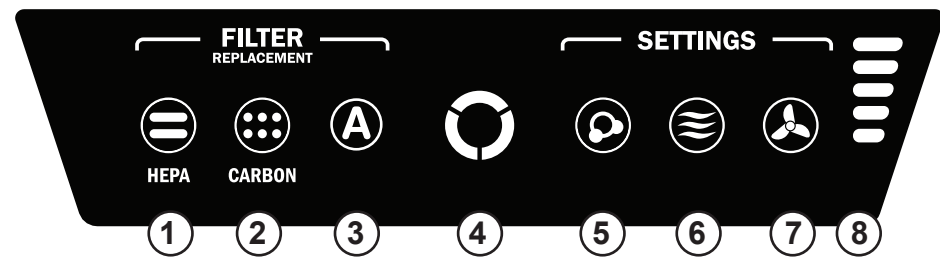
Besuchen Sie bitte [www.aeramaxpro.com](http://www.aeramaxpro.com), um weitere Informationen zu Ersatzfiltern und Zubehör zu erhalten.

**INFORMATIONEN FÜR DEN BENUTZER**

Dieses Gerät ist getestet worden und entspricht der Einstufung eines digitalen Geräts der Klasse B gemäß Part 15 der FCC-Vorschriften. Diese Einschränkungen sind dazu da, in Wohnumgebungen einen angemessenen Schutz gegen schädliche Störungen zu gewährleisten. Dieses Gerät erzeugt, nutzt und strahlt Funkfrequenzenergie aus und kann, wenn es nicht gemäß der Anleitung installiert und benutzt wird, Störungen im Funkverkehr verursachen. Es kann jedoch nicht garantiert werden, dass in einer bestimmten Installation keine Störung verursacht wird. Falls dieses Gerät Störungen im Funkverkehr oder Fernsehempfang verursacht, was durch Aus- und Einschalten des Geräts festgestellt werden kann, wird dem Benutzer nahe gelegt, die Störungen durch eine oder mehrere der folgenden Maßnahmen zu korrigieren:

- Neuausrichtung/Verlegung der Empfangsantenne.
- Vergrößerung des Abstands zwischen Gerät und Empfänger.
- Anschluss des Geräts an eine Steckdose auf einem anderen Stromkreis als dem, an den der Empfänger angeschlossen ist.
- Erkundigen Sie sich bei einem Händler oder einem erfahrenen Radio- und Fernsehtechniker.

**WARNHINWEIS:** Jedwede Änderungen oder Modifikationen, die von dem Hersteller nicht ausdrücklich genehmigt wurden, können das Betriebsrecht des Nutzers des Geräts und die Garantie nichtig machen.



HINWEIS: nach Einschalten des Geräts blinkt die „AQ“-Anzeigeleuchte einige Minuten lang, während sich das System selbständig kalibriert.

- 1 **HEPA-FILTERAUSTAUSCH-ANZEIGELEUCHE** – Diese Anzeigeleuchte zeigt ihren Status an, wenn die Wartungsklappe geöffnet oder geschlossen ist. Wenn die Anzeigeleuchte rot ist, weist dies darauf hin, dass der Filter ausgetauscht werden muss. Der Zeitraum für einen fälligen Austausch variiert und hängt von den verwendeten Filtern, der Betriebszeit, Luftqualität und der Luftförderleistung ab. Lesen Sie für Beschreibungen der Filter-Austausch-Anzeigeleuchten den Abschnitt **FILTERAUSTAUSCH-ANZEIGELEUCHTEN**.
- 2 **KOHLE-FILTERAUSTAUSCH-ANZEIGELEUCHE** – Diese Anzeigeleuchte zeigt ihren Status an, wenn die Wartungsklappe geöffnet oder geschlossen ist. Wenn die Anzeigeleuchte rot ist, weist dies darauf hin, dass der Filter ausgetauscht werden muss. Der Zeitraum bis zum Austausch variiert und hängt von den verwendeten Filtern, der Betriebsdauer, Luftqualität und Luftförderleistung des Geräts ab. Lesen Sie für Beschreibungen der Filter-Austausch-Anzeigeleuchten den Abschnitt **FILTERAUSTAUSCH-ANZEIGELEUCHTEN**.
- 3 **ZUBEHÖR-ANZEIGELEUCHE** – Diese Anzeigeleuchte zeigt ihren Status an, wenn die Wartungsklappe geöffnet oder geschlossen ist. Diese Anzeigeleuchte wird nur dann verwendet, wenn ein Zubehör-Filter im Gerät installiert ist. Wenn die Anzeigeleuchte rot ist, weist dies darauf hin, dass der Filter ausgetauscht werden muss. Der Zeitraum dafür variiert und hängt von den verwendeten Filtern, der Betriebsdauer, Luftqualität und Luftförderleistung des Geräts ab. Lesen Sie für Beschreibungen der Filter-Austausch-Anzeigeleuchten den Abschnitt **FILTERAUSTAUSCH-ANZEIGELEUCHTEN**.
- 4 **FILTERAUSTAUSCH-ANZEIGELEUCHTEN.LUFTQUALITÄTSSENSOR** – Diese Anzeigeleuchte zeigt ihren Status an, wenn die Wartungsklappe geöffnet oder geschlossen ist. Diese Anzeigeleuchte überwacht die Luftqualität und passt die Gebläsegeschwindigkeit automatisch an, um die Luft rein zu halten. Blaue, bernsteinfarbene und rote Leuchten zeigen die Reinheit der Luft an.
- 5 **PlasmaTRUE™ TECHNOLOGIE** – Diese Anzeigeleuchte zeigt ihren Status an, wenn die Wartungsklappe geöffnet oder geschlossen ist. Baut ein ionisiertes Feld auf, um Luftschadstoffe sicher zu entfernen. Berühren und halten Sie zum Ein- und Ausschalten der PlasmaTRUE™ TECHNOLOGIE die PLASMA-Anzeigeleuchte. Es leuchtet ein blaues Licht auf, wenn die PlasmaTRUE™ TECHNOLOGIE aktiviert ist. Drücken und halten Sie zum Deaktivieren der PlasmaTRUE™ TECHNOLOGIE die „Plasma“-Anzeigeleuchte, bis das Licht aus ist.
- 6 **AUTOMATISCHER MODUS** – Halten Sie zur Auswahl dieses Modus die Taste gedrückt, bis das Symbol leuchtet. Dieser Modus verwendet die EnviroSmart™-Technologie, um Luftqualität, Bewegung und Lärmpegel zu überwachen und die Lüftergeschwindigkeit so einzustellen, dass Ihre Luft so schnell wie möglich gereinigt wird. Diese Taste umfasst auch einen LEISE-MODUS. Halten Sie zur Auswahl die Taste gedrückt, bis diese violett wird. Es wird weiterhin EnviroSmart™ verwendet, jedoch kommen nur die 3 niedrigsten und leisesten der 5 Lüftergeschwindigkeiten zum Einsatz.
- 7 **MANUELLER MODUS** – Halten Sie zur Auswahl dieses Modus die Taste gedrückt, bis das Symbol leuchtet. In diesem Modus können Sie eine der 5 Lüftergeschwindigkeiten auswählen und das Gerät mit dieser Geschwindigkeit betreiben, bis der AUTOMATISCHE MODUS erneut ausgewählt wird. In diesem Modus wird die Lüftergeschwindigkeit nicht durch die internen Sensoren angepasst.
- 8 **LÜFTERGESCHWINDIGKEITSANZEIGE** – Der Lüfter verfügt über 5 Geschwindigkeiten und kann bei hohen Mengen an Schadstoffen im Raum Turbo-Geschwindigkeit erreichen. Die Anzahl der leuchtenden Balken gibt die Lüftergeschwindigkeit an.
 

1 – Flüsternd	4 – Hoch
2 – Niedrig	5 – Turbo
3 – Mittel	

**BETRIEB**

Der Luftreiniger arbeitet kontinuierlich im Automatikmodus; der Benutzer kann auf Basis des Standorts oder der gewünschten Betriebsart des Luftreinigers auswählen, welche Präferenz der Luftreiniger verwenden soll. Der Luftreiniger arbeitet innerhalb einer minimierten Bandbreite an Geschwindigkeiten, wobei die ausgewählte Maximalstufe nicht überschritten wird, um während der Beseitigung von Schadstoffen im Raum einen leisen Betrieb zu ermöglichen. Sobald die Luft gereinigt wurde und die Sensoren inaktiv sind, wird das Gerät in einen Energiesparmodus versetzt, um den Energieverbrauch zu senken und die Lebensdauer der Filter zu verlängern.

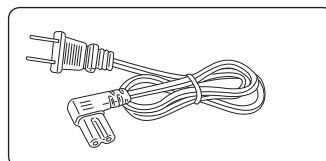
Wenn der automatische Modus ausgewählt ist, leuchtet die Modusanzeige blau. Dieser Modus verwendet die EnviroSmart™-Technologie, um Luftqualität, Bewegung und Lärmpegel zu überwachen und die Lüftergeschwindigkeit so einzustellen, dass Ihre Luft so schnell wie möglich gereinigt wird. Sobald die Luft gereinigt wurde und die Sensoren inaktiv sind, wird das Gerät in einen Energiesparmodus versetzt, um den Energieverbrauch zu senken und die Lebensdauer der Filter zu verlängern.

Es wird weiterhin EnviroSmart™ verwendet, jedoch kommen nur die 3 niedrigsten und leisesten der 5 Lüftergeschwindigkeiten zum Einsatz.

Wenn der Manuelle Modus ausgewählt ist, leuchtet die Manuelle Modusanzeige blau. In diesem Modus können Sie eine der 5 Lüftergeschwindigkeiten auswählen und das Gerät mit dieser Geschwindigkeit betreiben, bis der automatische Modus ausgewählt wird. In diesem Modus wird die Lüftergeschwindigkeit nicht durch die EnviroSmart™-Sensoren angepasst.

**EINRICHTEN**

1. Öffnen Sie das Gerät, indem Sie die Verriegelungen auf beiden Seiten drücken.
2. Nehmen Sie den/die Filter aus dem/den Beutel(n), und setzen Sie ihn/sie in das Gerät ein.
3. Stecken Sie den IEC-Stecker in den Netzkabelanschluss an der Rückseite des Geräts.



**PFLEGE UND WARTUNG**

**REINIGUNG:**

- Reinigen Sie das externe Gehäuse nach Bedarf. Wischen Sie es dazu mit einem trockenen, weichen Tuch ab. Verwenden Sie bei hartnäckigen Flecken ein warmes, feuchtes Tuch.
- Verwenden Sie keine flüchtigen Flüssigkeiten wie Benzol oder Farbverdünner und kein Scheuerpulver oder andere Reinigungsmittel, die die Oberfläche des Geräts beschädigen können.
- Säubern Sie die Lufteinlass- und Auslassöffnungen, indem Sie sie mit einem trockenen, weichen Tuch abwischen.

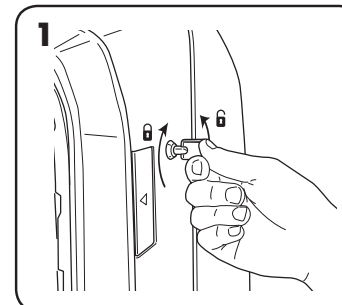
**FILTER-WECHSEL-ANZEIGELEUCHTEN**

Die Filterwechsel-Anzeigeleuchten zeigen an, wann der HEPA-Filter und/oder der Kohlefilter mit Vorfilter gewechselt werden müssen. Der Zeitraum dafür variiert und hängt von Betriebsdauer, Luftqualität und gewählter Luftförderleistung ab. Die meisten HEPA Filter müssen unter normalen Einsatzbedingungen jedoch alle 2 Jahre, und Kohlefilter mit Vorfilter alle 6 Monate ausgetauscht werden. Wenn ein Filter ausgetauscht werden muss, wird auf der jeweiligen HEPA-, KOHLE-, oder ZUBEHÖR-Filteraustausch-Anzeigeleuchte die folgende Farbe angezeigt:

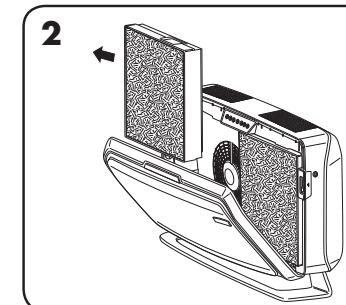
- Blinkt rot = RECHTER Filter zu 90% voll
- Blinkt bernsteinfarben = LINKER Filter zu 90% voll
- Blinkt rot, Pause, blinkt bernsteinfarben, Pause = RECHTER und LINKER FILTER zu 90% voll
- Rot = RECHTEN Filter austauschen
- Bernsteinfarben = LINKEN Filter austauschen
- Abwechselnd rot und bernsteinfarben = Rechten und linken Filter austauschen

Waschen Sie keine der Filter und verwenden Sie sie nicht erneut – sie arbeiten dann nicht mehr effektiv. Verwenden Sie ausschließlich Ersatzfilter der Marke AeraMax® PRO, weil die Geräte unter Verwendung von anderen Ersatzfiltern nicht funktionieren.

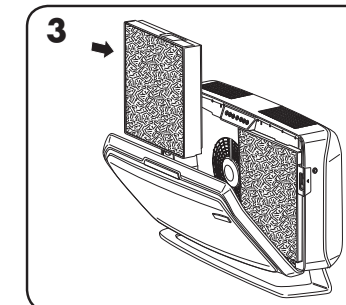
**FILTER-AUSTAUSCHVORGANG:**



Wartungsklappe entsperren: setzen Sie zum Entsperren den mitgelieferten Schlüssel ein und drehen Sie ihn um 1/4 Drehung entgegen dem Uhrzeigersinn.



Öffnen Sie die vordere Wartungsklappe, indem Sie auf die Laschen auf beiden Seiten des Geräts drücken. Öffnen Sie die Klappe vollständig. Entfernen Sie den bzw. die auszutauschenden Filter.



Entfernen Sie alle Plastikfolien von dem bzw. den neuen Filter(n) und installieren Sie den bzw. die Filter erneut.

**FILTERAUSTAUSCH:**

Das Gerät erkennt den Filtertyp beim Installieren eines neuen Filters automatisch, die Filter-Austausch-Anzeigeleuchten müssen jedoch manuell vom Benutzer zurückgesetzt werden. Verwenden Sie zum Zurücksetzen der Filter-Austausch-Anzeigeleuchten das folgende Verfahren:

- 1 Berühren und halten Sie die leuchtende Anzeigeleuchte drei Sekunden lang gedrückt, bis ein Piepton zu hören ist und die Anzeigeleuchte grün blinkt.
- 2 Nehmen Sie den Finger von der Anzeigeleuchte.
- 3 Berühren und halten Sie die Anzeigeleuchte drei Sekunden lang gedrückt, bis ein Piepton zu hören ist und die Anzeigeleuchte erlischt.

**Hinweis: Wenn Schritt drei nicht innerhalb von 10 Minuten nach Abschluss von Schritt 1 abgeschlossen wird, dann wird die Anzeigeleuchte nicht zurückgesetzt.**

**FEHLERDIAGNOSE UND -BEHEBUNG**

PROBLEM:	MÖGLICHE LÖSUNG:
Das Luftreinigungssystem startet nicht.	<ul style="list-style-type: none"> <li>• Überprüfen Sie, dass das Gerät mit dem Netzteil verbunden ist.</li> <li>• Stellen Sie sicher, dass es sich bei den Filtern um AeraMax® PRO-Originalfilter handelt, weil das Gerät mit anderen Marken nicht funktioniert. WICHTIG: Stellen Sie sicher, dass der Erkennungsbereich auf dem AeraMax® PRO-Originalfilter am Fenster des Filterrahmens ausgerichtet ist.</li> <li>• Überprüfen Sie den Abschnitt „FILTER-NEUINSTALLATION“, um weitere Details zu erhalten.</li> <li>• Stellen Sie sicher, dass die vordere Wartungsklappe vollständig geschlossen ist.</li> <li>• Stellen Sie sicher, dass der Netzschalter auf EIN steht</li> </ul>
Das Gerät macht ein schwaches, tickendes Geräusch.	<ul style="list-style-type: none"> <li>• Dadurch wird angezeigt, dass der bipolare PlasmaTRUE™-Ionisator aktiviert ist.</li> </ul>
Die HEPA- und/oder Kohle-Filteraustausch-Anzeigeleuchte leuchtet nach Austausch des bzw. der Filter(s) immer noch.	<ul style="list-style-type: none"> <li>• Setzen Sie die Filter-Leuchte erneut gemäß den Anweisungen zurück.</li> </ul>



\*Per una copia del manuale, visitare il sito [www.aeramaxpro.com](http://www.aeramaxpro.com)

## ISTRUZIONI/AVVERTENZA DI SICUREZZA

Grazie per aver acquistato AeraMax® PRO AM IVS.

Si prega di leggere e conservare queste istruzioni. Leggere attentamente prima di tentare di assemblare, installare, azionare o effettuare la manutenzione di questo prodotto. Per la protezione personale e degli altri, attenersi a tutte le indicazioni sulla sicurezza. La mancata osservanza delle istruzioni può causare lesioni personali e/o danni alla proprietà. Conservare le istruzioni per consultarle quando necessario.

### PRECAUZIONI E ISTRUZIONI IMPORTANTI PER L'USO DEL PURIFICATORE D'ARIA:

**AVVERTENZA:** Seguire scrupolosamente le istruzioni di questo manuale per ridurre il rischio di folgorazione, cortocircuito e incendio:

- Non usare questo purificatore d'aria come unica protezione dagli inquinanti nocivi.
- Usare questo apparecchio solo nella modalità prevista dal produttore. Per qualsiasi domanda, contattare il produttore.
- Non riparare né modificare l'apparecchio se non specificamente consigliato in questo manuale. Tutte le riparazioni devono essere eseguite da un tecnico qualificato.
- La spina di alimentazione di questo apparecchio è polarizzata, ossia uno spinotto è più grande dell'altro. Non forzare la spina in una presa di corrente.
- Non modificare la spina in nessun modo. Se la spina non entra nella presa di corrente, girarla di 180 gradi. Se ancora la spina non si adatta, rivolgersi ad un elettricista qualificato per fare installare una presa di corrente adatta.
- Non usare l'apparecchio se il cavo di alimentazione o la spina presenta danni o se il collegamento con la presa di corrente è allentato.
- Non danneggiare, spezzare, piegare con forza, tirare con forza eccessiva, torcere, legare in un fascio, verniciare o schiacciare il cordone di alimentazione né collocare oggetti pesanti sopra di esso.
- Spolverare periodicamente la spina di alimentazione. Si riduce così il rischio di accumulazione dell'umidità e quindi il rischio di folgorazione.
- Se la spina di alimentazione è danneggiata, deve essere sostituita dal produttore o da un tecnico qualificato.
- Rimuovere la spina di alimentazione dalla presa di corrente prima di pulire l'apparecchio. Quando si rimuove la spina di alimentazione, afferrare la spina stessa, mai il cavo.
- Rimuovere la spina di alimentazione dalla presa di corrente mentre l'apparecchio non è in uso.
- Non maneggiare la spina di alimentazione con le mani umide.
- Non posare il cavo di alimentazione sotto moquette né coprirlo con un tappeto.
- Il sistema di controllo della qualità dell'aria AeraMax® PRO deve essere dotato di messa a terra.
- Prima di effettuare la manutenzione o la pulizia dell'apparecchio, disattivare l'alimentazione nel pannello di manutenzione. Bloccare il pannello di manutenzione o applicare una targhetta di avvertenza per impedire che l'alimentazione venga riattivata accidentalmente.
- Usare solo la potenza elettrica (tensione e frequenza) specificata per il modello di purificatore d'aria installato.
- Non ostruire la presa dell'aria o la bocchetta di uscita dell'aria del purificatore.
- Non usare l'apparecchio se non sono stati installati i filtri.
- Non lavare né riutilizzare i filtri.
- Non usare accessori o filtri diversi da AeraMax® PRO, perché l'apparecchio non funzionerebbe.
- Non spruzzare spray sopra o all'interno dell'apparecchio.
- Non usare detergenti per pulire l'apparecchio.
- Non introdurre le dita, liquidi o oggetti estranei nella presa dell'aria o nella bocchetta di uscita dell'aria.
- Non usare l'apparecchio per scopi diversi dalla purificazione dell'aria.
- Se il cavo di alimentazione è danneggiato, deve essere sostituito dal produttore, da un suo rappresentante o da una persona con qualifiche analoghe, per prevenire rischi.
- È necessario vigilare i bambini per essere sicuri che non giochino con l'apparecchio.
- Questo dispositivo può essere utilizzato da bambini di età uguale o superiore agli 8 anni e da persone con ridotte capacità fisiche, sensoriali o mentali oppure con mancanza di esperienza e competenza solo se sotto supervisione o se informati sull'uso del dispositivo in condizioni di sicurezza e di comprensione degli eventuali rischi. I bambini non devono giocare con il dispositivo. La pulizia e la manutenzione non devono essere eseguite dai bambini in assenza di supervisione.

## GARANZIA LIMITATA DEL PRODOTTO

Garanzia limitata: Fellowes, Inc. ("Fellowes") garantisce che il sistema di controllo della qualità dell'aria AeraMax® PRO (il "Prodotto") sarà privo di difetti di materiali e fabbricazione per i periodi di tempo indicati di seguito.

- Solo per le unità di contatori di particelle: i contatori di particelle e il display per un periodo di tre (3) anni a decorrere dalla data di acquisto originale del Prodotto.
- Per le unità sia standard sia di contatori di particelle: tutte le altre parti per un periodo di cinque (5) anni a decorrere dalla data di acquisto originale del Prodotto. Nel caso in cui il Prodotto venga installato in una nuova struttura, il periodo di garanzia inizierà dalla data del permesso di occupazione o da un anno dopo la data d'acquisto, in base alla condizione che si verifichi per prima. Nel caso in cui si riscontrino difetti durante il periodo di garanzia, il rimedio esclusivo a disposizione del cliente sarà la riparazione o la sostituzione del prodotto difettoso, a carico di Fellowes e a sua discrezione. Questa garanzia non si applica ai danni causati dall'uso di filtri non approvati da Fellowes o dalla mancata osservanza degli intervalli di sostituzione specificati. Questa garanzia non è valida in caso di abuso e uso improprio dell'apparecchio, mancata osservanza degli standard di impiego del prodotto, alimentazione elettrica non corretta dell'apparecchio (diversa da quella indicata sull'etichetta) o riparazioni non autorizzate. Fellowes si riserva il diritto di addebitare al consumatore qualsiasi costo supplementare da essa stessa sostenuto per fornire ricambi o assistenza fuori dal Paese in cui il Prodotto è stato venduto da un rivenditore autorizzato. Questa garanzia non copre i filtri sostituibili. Nel caso in cui il Prodotto non sia prontamente accessibile al personale di assistenza designato da Fellowes, quest'ultima si riserva il diritto di fornire al cliente parti o Prodotti di ricambio nel pieno rispetto degli obblighi previsti dalla presente garanzia e di qualsiasi obbligo di assistenza. EVENTUALI GARANZIE IMPLICITE, COMPRESE QUELLE DI COMMERCIALITÀ O IDONEITÀ PER UNO SCOPO SPECIFICO, SONO SOGGETTE AI LIMITI DI DURATA STABILITI NELLA GARANZIA SOPRA INDICATA. In nessun caso Fellowes sarà ritenuta responsabile di danni consequenziali, incidentali, indiretti o speciali. La presente garanzia concede diritti legali specifici. La durata, i termini e le condizioni della presente garanzia sono validi in tutto il mondo, a eccezione dei luoghi in cui, in base alle norme di legge, siano previste limitazioni, restrizioni o condizioni diverse.

## CONTENUTO DELLA CONFEZIONE

- Sistema di controllo della qualità dell'aria AeraMax® PRO
- Filtro True HEPA con trattamento antimicrobico AeraSafe™ (2 filtri)
- Filtro a carbone attivo con prefiltra (2 di ciascun filtro)
- Chiavi per bloccare il pannello anteriore (2)
- Informazioni sulla registrazione

## SPECIFICHE DEL PRODOTTO

AeraMax® PRO AM IVS	
Dimensioni (A x L x P)	49,7 x 88,1 x 22,8 cm
Peso del sistema (inclusi i filtri)	15,1 kg
Requisiti di alimentazione	220-240 V, 50/60 Hz, 1,4 A
Consumo energetico (5 velocità della ventola)	8, 12, 18, 35, 180 watt
Erogazione d'aria (5 velocità della ventola)	260, 316, 381, 476, 748 m³/h
Decibel	42, 44, 51, 53, 68 dB
Display	Touch capacitivo, solo accesso interno
Sensori	EnviroSmart™
Modalità di funzionamento controllate da sensore	2 modalità principali: modalità normale e modalità silenziosa
Filtri forniti	2 filtri True HEPA con trattamento antimicrobico AeraSafe™ (durata media stimata del filtro di 1 anno), 2 filtri a carbone attivo con prefiltra (durata media stimata del filtro di 6 mesi).
Sistema di pulizia	Ultrafiltro HEPA (High Efficiency Particulate Air) con efficienza nominale del 99,97% delle particelle aeree fino a 0,3 micron. Filtro a carbone che assorbe gli odori e i composti organici volatili, ionizzatore bipolare PlasmaTRUE™.

## FILTRI DI RICAMBIO

HEPA 5,08 cm (2")	Ricambio del filtro True HEPA con trattamento AeraSafe™. Durata media del filtro da 12 a 18 mesi: 9416602 - confezione da 2
A carbone 7,68 x 20,32 cm (3/8")	Filtro di ricambio a carbone attivo granulare con prefiltra. Durata media del filtro di 6 mesi: 9416502 - confezione da 4
A carbone 5,08 cm (2")	Filtro di ricambio a carbone attivo granulare. Durata media del filtro di 2 anni: 9436802 - confezione da 2
5,08 cm (2") Ibrido 2,54 cm (1")	Filtro di ricambio True HEPA e filtro di ricambio ibrido a carbone da 2,54 cm (1") con prefiltra. Durata media del filtro di 1 anno: 9436902 - confezione da 2

Per maggiori informazioni sugli accessori e sui filtri di ricambio, visitare il sito: [www.aeramaxpro.com](http://www.aeramaxpro.com)

## INFORMAZIONI PER L'UTENTE

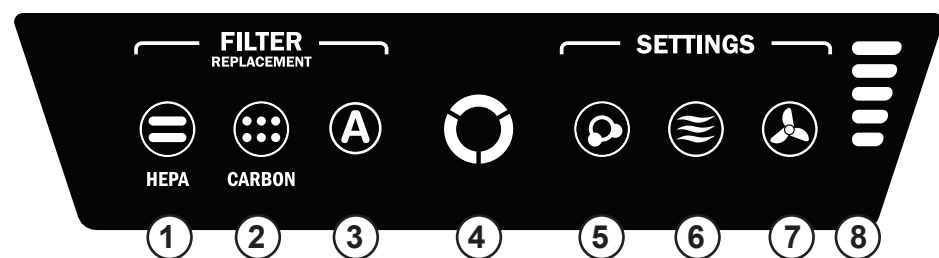
In base alle prove eseguite su questo apparecchio, se ne è verificata la conformità ai limiti relativi ai dispositivi digitali di Classe B, ai sensi dell'articolo 15 del regolamento FCC. Tali limiti sono stati stabiliti con lo scopo di fornire una protezione ragionevole da interferenze nocive in un'installazione. Questo apparecchio genera, usa e può irradiare energia a radiofrequenza e, se non è installato o usato in conformità alle istruzioni, può interferire negativamente con le comunicazioni radio. Tuttavia, non esiste alcuna garanzia che non si verificherà interferenza in una particolare installazione. Se questo apparecchio causasse interferenze nocive per la ricezione dei segnali radio o televisivi, determinabile spegnendo e riaccendendo l'apparecchio stesso, si invita l'utente a cercare di eliminare l'interferenza adottando una o più delle seguenti misure:

- Riorientare o riposizionare l'antenna di ricezione.
- Aumentare la distanza tra l'apparecchio e il ricevitore.
- Collegare l'apparecchio ad un circuito diverso da quello a cui è collegato il ricevitore.
- Se necessario, rivolgersi al rivenditore o a un tecnico radio/TV esperto.

**AVVERTENZA:** Eventuali modifiche o cambiamenti non espressamente approvati dal produttore potrebbero invalidare il diritto dell'utente all'utilizzo dell'apparecchio e della garanzia.



## PANNELLO DEL DISPLAY



NOTA: Dopo l'accensione dell'apparecchio, la spia "AQ" lampeggerà per alcuni minuti mentre il sistema si autocalibra.

- 1 **SPIA DI SOSTITUZIONE DEL FILTRO HEPA** - Questa spia mostrerà il proprio stato quando viene aperto o chiuso il pannello di accesso. Se la spia è rossa, il filtro deve essere sostituito. L'intervallo di sostituzione dipende dai filtri utilizzati, dal numero di ore di funzionamento, dalla qualità dell'aria e dalla velocità del flusso d'aria. Per le descrizioni delle spie di sostituzione dei filtri, consultare la sezione **SPIE DI SOSTITUZIONE DEI FILTRI**.
- 2 **SPIA DI SOSTITUZIONE DEL FILTRO A CARBONE** - Questa spia mostrerà il proprio stato quando viene aperto o chiuso il pannello di accesso. Se la spia è rossa, il filtro deve essere sostituito. L'intervallo di sostituzione dipende dai filtri utilizzati, dal numero di ore di funzionamento, dalla qualità dell'aria e dalla velocità del flusso d'aria. Per le descrizioni delle spie di sostituzione dei filtri, consultare la sezione **SPIE DI SOSTITUZIONE DEI FILTRI**.
- 3 **SPIA DELL'ACCESSORIO** - Questa spia mostrerà il proprio stato quando viene aperto o chiuso il pannello di accesso. Questa spia verrà utilizzata solo se nell'apparecchio è installato un filtro accessorio. Se la spia è rossa, il filtro deve essere sostituito. L'intervallo di sostituzione dipende dai filtri utilizzati, dal numero di ore di funzionamento, dalla qualità dell'aria e dalla velocità del flusso d'aria. Per le descrizioni delle spie di sostituzione dei filtri, consultare la sezione **SPIE DI SOSTITUZIONE DEI FILTRI**.
- 4 **SENSORE DELLA QUALITÀ DELL'ARIA** - Questa spia mostrerà il proprio stato quando viene aperto o chiuso il pannello di accesso. La spia monitora la qualità dell'aria e regola la velocità della ventola per mantenere l'aria esente da impurità. Le spie di colore blu, giallo e rosso indicano la qualità dell'aria.
- 5 **TECNOLOGIA PlasmaTRUE™** - Questa spia mostrerà il proprio stato quando viene aperto o chiuso il pannello di accesso. Crea un campo ionizzato che contribuisce a rimuovere in sicurezza gli inquinanti a diffusione aerea. Per attivare e disattivare la TECNOLOGIA PlasmaTRUE™, tenere premuta la spia PLASMA. Quando la TECNOLOGIA PlasmaTRUE™ viene attivata, si accende una luce blu. Per disattivarla, tenere premuta la spia "Plasma" finché la luce non si spegne.
- 6 **MODALITÀ AUTOMATICA** - Per selezionarla, tenere premuto il pulsante fino a quando l'icona si illumina. Questa modalità usa la tecnologia EnviroSmart™ per monitorare la qualità dell'aria, il movimento e il livello di rumore per regolare la velocità della ventola e purificare l'aria nel modo più veloce possibile. Questo pulsante comprende anche la MODALITÀ SILENZIOSA. Per selezionarla, tenere premuto il pulsante fino a quando diventa viola. La macchina continuerà ad usare EnviroSmart™ ma utilizzerà solo le 3 velocità della ventola più basse e silenziose delle 5.
- 7 **MODALITÀ MANUALE** - Per selezionarla, premere il pulsante fino a quando l'icona si illumina. Questa modalità consente di selezionare una delle 5 velocità della ventola e di mantenere l'apparecchio a questa velocità fino a quando non si seleziona nuovamente la MODALITÀ AUTOMATICA. I sensori interni non regoleranno la velocità della ventola quando è in uso questa modalità.
- 8 **INDICATORI DELLA VELOCITÀ DELLA VENTOLA** - La ventola ha 5 velocità e può raggiungere una velocità turbo per pulire la stanza in caso di elevati livelli di contaminanti. Il numero di barre illuminate indica la velocità della ventola.
 

1 - mormorio	4 - alta
2 - bassa	5 - turbo
3 - media	

## FUNZIONAMENTO

Il purificatore d'aria funziona sempre in modalità automatica; l'utente può selezionare la modalità operativa del purificatore in base all'ambiente in cui è collocato o al funzionamento desiderato. Il purificatore funzionerà su una gamma di velocità ridotta al minimo, senza superare il livello massimo selezionato, per eliminare i contaminanti dalla stanza in modo silenzioso. Quando l'aria sarà pulita e non saranno attivati sensori, l'apparecchio passerà alla modalità di risparmio energetico per ridurre i consumi e prolungare la durata dei filtri.

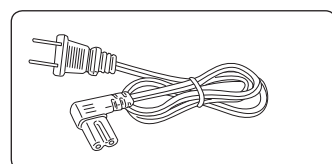
Quando la Modalità automatica è selezionata, la relativa spia sarà blu. Questa modalità usa la tecnologia EnviroSmart™ per monitorare la qualità dell'aria, il movimento e il livello di rumore per regolare la velocità della ventola e purificare l'aria nel modo più veloce possibile. Quando l'aria sarà pulita e non saranno attivati sensori, l'apparecchio passerà alla modalità di risparmio energetico per ridurre i consumi e prolungare la durata dei filtri.

La macchina continuerà ad usare EnviroSmart™ ma utilizzerà solo le 3 velocità della ventola più basse e silenziose delle 5.

Quando la Modalità manuale è selezionata, la relativa spia sarà blu. Questa modalità consente di selezionare una delle 5 velocità della ventola e di mantenere l'apparecchio a questa velocità fino a quando non si sceglie/seleziona la modalità automatica. I sensori EnviroSmart™ NON regoleranno la velocità della ventola quando è in uso questa modalità.

## APPRONTAMENTO

1. Aprire l'apparecchio premendo le linguette su entrambi i lati.
2. Rimuovere gli involucri dai filtri e riposizionarli nell'apparecchio.
3. Inserire lo spinotto IEC nella presa del cavo di alimentazione sulla parte posteriore dell'apparecchio.



## CURA E MANUTENZIONE

### PULIZIA:

- Pulire l'alloggiamento esterno come necessario passandovi sopra un panno asciutto e morbido; per le macchie, usare un panno inumidito con acqua tiepida.
- Non utilizzare fluidi volatili come benzene, solventi, polveri lucidanti o altri detergenti che potrebbero danneggiare la superficie dell'apparecchio.
- Pulire la presa d'aria e la bocchetta di uscita dell'aria con un panno asciutto e morbido.

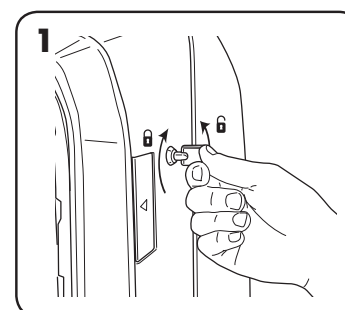
### SPIE DI SOSTITUZIONE DEI FILTRI:

Le apposite spie segnalano quando occorre sostituire il filtro HEPA e/o il filtro a carbone con prefiltro. L'intervallo di sostituzione dipende dal numero di ore di funzionamento, dalla qualità dell'aria e dalla velocità del flusso d'aria. Tuttavia, in condizioni di uso normale la maggior parte dei filtri HEPA richiede la sostituzione ogni 2 anni, mentre i filtri a carbone con prefiltro vanno sostituiti ogni 6 mesi. Quando un filtro deve essere sostituito, la spia corrispondente HEPA, A CARBONE o ACCESSORIO assume il seguente colore:

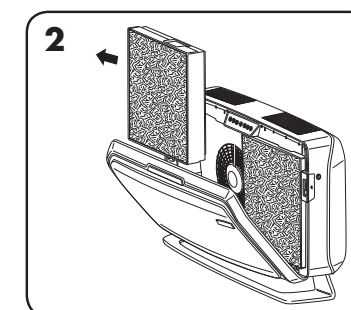
- Rosso lampeggiante = 90% di usura del filtro DESTRO
- Giallo lampeggiante = 90% di usura del filtro SINISTRO
- Rosso lampeggiante, pausa, giallo lampeggiante, pausa = 90% di usura dei filtri destro e sinistro
- Rosso = Sostituire il filtro DESTRO
- Giallo = Sostituire il filtro SINISTRO
- Rosso e giallo alternati = Sostituire i filtri destro e sinistro

Non lavare e non riutilizzare i filtri; non funzionerebbero efficacemente. Usare solo filtri di ricambio AeraMax® PRO perché l'apparecchio non funzionerebbe con altri ricambi.

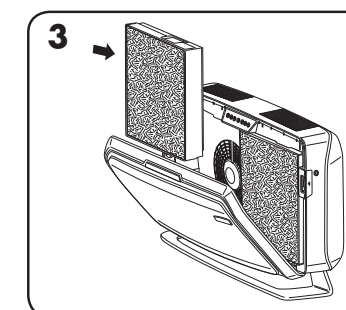
### PROCEDURA DI SOSTITUZIONE DEI FILTRI:



Sbloccare il pannello di accesso inserendo la chiave fornita e ruotandola in senso antiorario di 1/4 di giro.



Aprire il pannello di accesso anteriore premendo le linguette su entrambi i lati dell'apparecchio. Aprire il pannello completamente. Rimuovere i filtri da sostituire.



Rimuovere il materiale di copertura dai filtri nuovi e reinstallare i filtri.

### SOSTITUZIONE DEI FILTRI:

Durante l'installazione di un nuovo filtro, l'apparecchio rileverà automaticamente il tipo di filtro, ma l'utente dovrà ripristinare manualmente le spie di sostituzione dei filtri. Per ripristinare la spia lampeggiante di sostituzione del filtro, procedere come segue:

- 1 Tenere premuta la spia accesa per tre secondi finché non viene emesso un segnale acustico e la spia lampeggia con una luce verde.
- 2 Sollevare il dito dalla spia.
- 3 Tenere premuta la spia per tre secondi finché non viene emesso un segnale acustico e la spia si spegne.

Nota: Se non si completa il passaggio 3 entro 10 secondi dal completamento del passaggio 1, la spia non verrà ripristinata.

## RISOLUZIONE DEI PROBLEMI

PROBLEMA:	SOLUZIONE POSSIBILE:
Il sistema di controllo della qualità dell'aria non si avvia.	<ul style="list-style-type: none"> <li>• Verificare che l'apparecchio sia collegato all'alimentazione elettrica.</li> <li>• Assicurarsi che i filtri siano filtri originali AeraMax® PRO, perché l'apparecchio non funzionerebbe con altri marchi. IMPORTANTE: Assicurarsi che l'area di rilevamento dei filtri sul filtro di ricambio originale AeraMax® PRO sia allineata con la finestra nel telaio dei filtri.</li> <li>• Per ulteriori informazioni, consultare la sezione "Reinstallazione dei filtri".</li> <li>• Assicurarsi che il pannello di accesso anteriore sia completamente chiuso.</li> <li>• Assicurarsi che l'interruttore di alimentazione sia premuto.</li> </ul>
L'apparecchio emette un fievole ticchettio.	<ul style="list-style-type: none"> <li>• Questo suono indica che lo ionizzatore bipolare "PlasmaTRUE™" è in funzione.</li> </ul>
La spia di sostituzione del filtro HEPA e/o del filtro a carbone rimane accesa dopo la sostituzione dei filtri.	<ul style="list-style-type: none"> <li>• Ripetere la procedura di ripristino delle spie dei filtri.</li> </ul>

\*Ga naar [www.aeramaxpro.com](http://www.aeramaxpro.com) voor een exemplaar van de handleiding

## VEILIGHEIDSINSTRUCTIES/WAARSCHUWING

Hartelijk dank voor uw aankoop van de AeraMax<sup>®</sup> PRO AM IVS.

Lees deze instructies a.u.b. door en sla ze ergens op. Lees dit zorgvuldig door voordat u probeert dit product ineen te zetten, te installeren, in gebruik te nemen of te onderhouden. Bescherm uzelf en anderen door alle veiligheidsinstructies na te leven. Als u zich niet aan deze instructies houdt, kan dit persoonlijk letsel en/of schade aan voorwerpen tot gevolg hebben. Bewaar de instructies voor toekomstig gebruik.

### BELANGRIJKE WAARSCHUWINGEN EN INSTRUCTIES VOOR HET GEBRUIK VAN DE LUCHTREINIGER:

**WAARSCHUWING:** Volg de instructies in deze handleiding om het risico op elektrische schok, kortsluiting en/of brand te verlagen:

- Gebruik deze luchtreiniger niet als enige bescherming tegen schadelijke stoffen.
- Gebruik deze unit alleen zoals bedoeld door de fabrikant. Neem contact op met de fabrikant als u vragen hebt.
- Voordat u de unit onderhoudt of reinigt, moet u de stroom uitzetten in de meterkast of bij het onderhoudspaneel. Sluit dit hierna af of bevestig een waarschuwing om te voorkomen dat de stroom per ongeluk weer aan wordt gezet.
- Repareer of wijzig het apparaat niet, tenzij dit specifiek in deze handleiding wordt aanbevolen. Alle reparaties moeten door een bevoegde monteur worden uitgevoerd.
- De stekker voor deze eenheid is gepolariseerd, waarbij één contactelement breder is dan het andere. Probeer de stekker niet in een stopcontact te dwingen.
- De stekker mag op geen enkele manier worden veranderd. Als de stekker niet in het stopcontact past, moet hij worden omgekeerd. Als de stekker nog steeds niet past, neemt u contact op met een bevoegde monteur om een goed stopcontact te laten installeren.
- Gebruik het apparaat niet als de stroomkabel of de stekker beschadigd zijn of als een en ander niet stevig in het stopcontact vast zit.
- Zorg ervoor dat u de stroomkabel niet beschadigt, breekt, geforceerd buigt, verdraait, samenbindt, erin knijpt, of er zware voorwerpen op plaatst en dat u niet aan de stroomkabel trekt.
- Stof de stekker regelmatig. Dit vermindert de kans dat zich hierop vocht kan verzamelen, wat het risico op elektrische schok vergroot.
- Als de stekker beschadigd raakt, moet deze door de fabrikant of door een bevoegde monteur worden vervangen.
- Haal de stekker uit het stopcontact voordat u het apparaat reinigt. Wanneer u de stekker uit het stopcontact haalt, doet u dit door de stekker zelf vast te pakken, nooit door aan de stroomkabel te trekken.
- Haal de stekker uit het stopcontact als het apparaat niet in gebruik is.
- Raak de stekker niet met natte handen aan.
- Bedek de stroomkabel niet met vloerbedekking of kleden.
- Het AeraMax<sup>®</sup> PRO-luchtreinigingssysteem moet geaard zijn.
- Gebruik alleen de juiste stroom (voltage en frequentie) zoals aangegeven voor het model luchtreiniger dat wordt geïnstalleerd.
- Zorg ervoor dat de luchtinlaat en -uitlaat van de luchtreiniger niet worden geblokkeerd.
- Gebruik de unit niet als de filters niet zijn geïnstalleerd.
- De filters kunnen niet worden gewassen en hergebruikt.
- Gebruik geen hulpstukken of filters die niet van het merk AeraMax<sup>®</sup> PRO zijn, de unit werkt anders niet.
- Gebruik geen spuitbussen op of in de unit.
- Gebruik geen schoonmaakmiddel om het apparaat te reinigen.
- Steek geen vingers, vloeistoffen of vreemde voorwerpen in de luchtinlaat of -uitlaat.
- Gebruik de unit uitsluitend voor luchtreiniging.
- Als de elektriciteitskabel beschadigd is, moet deze om risico's te vermijden worden vervangen door de fabrikant, de reparatiedienst van de fabrikant of andere gekwalificeerde personen.
- Houd een oogje op kinderen om ervoor te zorgen dat zij niet met het apparaat spelen.
- Dit apparaat kan worden gebruikt door kinderen van 8 jaar of ouder en door personen met verminderde lichamelijke, zintuiglijke of geestelijke capaciteiten of met een gebrek aan kennis en ervaring, mits dit gebeurt onder toezicht of na instructie met betrekking tot het veilige gebruik van het apparaat en indien de betrokkenen begrijpen welke risico's hieraan verbonden zijn. Kinderen mogen niet met het apparaat spelen. Reiniging en onderhoud door de gebruiker mag alleen door kinderen worden uitgevoerd als een volwassene hierop toezicht houdt.

## BEPERKTE PRODUCTGARANTIE

Beperkte garantie: Fellowes, Inc. ("Fellowes") garandeert dat het AeraMax<sup>®</sup> PRO controlesysteem voor luchtkwaliteit (het "Product") gedurende de tijdsperiode die hierna wordt aangegeven, vrij zal blijven van materiaal- en productiefouten.

- Alleen voor PC-eenheden: De deeltjesteller en het display gedurende een periode van drie (3) jaar na de oorspronkelijke aanschafdatum van het product.
- Voor standaard-eenheden en PC-eenheden: Alle andere onderdelen gedurende een periode van vijf (5) jaar na de oorspronkelijke aanschafdatum van het product. Indien het Product in een nieuw gebouw is geïnstalleerd, begint de garantietermijn op de datum van de gebruiksvergunning of één jaar na de datum van aankoop, al naar gelang welke hiervan de vroegere datum is. Als een onderdeel gedurende de garantietermijn defect blijkt te zijn, bestaat uw enige en exclusieve verhaal uit reparatie of vervanging, naar keuze en voor rekening van Fellowes, van het defecte onderdeel. Deze garantie dekt geen schade die wordt veroorzaakt door het gebruik van niet door Fellowes goedgekeurde filters of het niet volgen van het aanbevolen vervangingsschema. Deze garantie is niet van toepassing in het geval van misbruik, verkeerd gebruik, het niet naleven van de gebruiksnormen voor het product, gebruik van een onjuiste stroombron (anders dan wat op het label vermeld staat), of onbevoegde reparatie. Fellowes behoudt zich het recht voor eventuele meerkosten bij de klant in rekening te brengen, die Fellowes moet maken om onderdelen of diensten te leveren buiten het land waarin het Product in eerste instantie door een erkende verkoper is verkocht. Vervangende filters vallen niet onder deze garantie. Indien het Product niet makkelijk toegankelijk is voor door Fellowes aangewezen onderhoudspersoneel, behoudt Fellowes zich het recht voor de klant van vervangende onderdelen of van een vervangend Product te voorzien om te voldoen aan haar verplichtingen onder deze garantie en eventuele dienstverleningsverplichtingen. ALLE IMPLICIETE GARANTIES, INCLUSIEF DE GARANTIES VAN VERKOOPBAARHEID OF GESCHIKTHEID VOOR EEN BEPAALD DOEL, WORDEN HIERBIJ IN DUUR BEPERKT TOT DE TOEPASSELIJKE GARANTIEPERIODE DIE HIERVOOR IS UITEENGEGEET. Fellowes is in geen geval aansprakelijk voor eventuele gevolgschade, incidentele schade, indirecte schade of bijzondere schade. Deze garantie geeft u specifieke wettelijke rechten. De duur en voorwaarden van deze garantie zijn wereldwijd van kracht, behalve daar waar de plaatselijke wetgeving andere beperkingen of voorwaarden vereist.

## INHOUD VAN DE VERPAKKING

- AeraMax<sup>®</sup> PRO controlesysteem luchtkwaliteit
- True HEPA-filter met AeraSafe<sup>™</sup> anti-microbiële behandeling (2 filters)
- Actief koolstoffilter met voorfilter (2 van elk filter)
- Sleutels voor op slot doen voorpaneel (2)
- Registratiegegevens

## PRODUCTSPECIFICATIES

AeraMax <sup>®</sup> PRO AM IVS	
Afmetingen (H x B x D)	49,7 x 88,1 x 22,8 cm
Gewicht van systeem (inclusief filters)	15,1 kg
Stroomvereisten	220-240V, 50/60Hz, 1,4A
Stroomverbruik (5 ventilatorsnelheden)	8, 12, 18, 35, 180 Watt
Luchtverplaatsing (5 ventilatorsnelheden)	260, 316, 381, 476, 748 CFM
Decibel	42, 44, 51, 53, 68 dB
Display	Capacitief touchscreen, alleen intern toegankelijk
Sensoren	EnviroSmart <sup>™</sup>
Door sensor aangestuurde werkingsmodi	2 Primaire modi - Normale modus en stille modus
Bijgeleverde filters	2 True HEPA-filters met AeraSafe <sup>™</sup> anti-microbiële behandeling met een geschatte gemiddelde filterlevensduur van 1 jaar, 2 actief koolstoffilter met voorfilter, geschatte gemiddelde levensduur filter 6 maanden.
Reinigingssysteem	HEPA-filter (High Efficiency Particulate Air) met een nominale efficiëntie van 99,97% fijnstof in de lucht bij 0,3 micron. Koolstoffilter adsorbeert geur en vluchtige organische stoffen, PlasmaTRUE <sup>™</sup> bipolaire ionisator.

## VERVANGENDE FILTERS

2 cm HEPA-filter	Vervangend True HEPA-filter met AeraSafe <sup>™</sup> -behandeling. Gemiddelde levensduur filter 12-18 maanden: 9416602 - 2 per verpakking
0,95 cm koolstoffilter	Vervangend granulaire geactiveerde koolstoffilter met voorfilter. Gemiddelde levensduur filter 6 maanden: 9416502 - 4 per verpakking
5 cm koolstoffilter	Vervangend granulaire geactiveerde koolstoffilter. Gemiddelde levensduur filter 2 jaar: 9436802 - 2 per verpakking
5 cm hybride 2,5 cm	True HEPA en 2,5 cm koolstoffilter met voorfilter hybride vervangingsfilter. Gemiddelde levensduur filter 1 jaar: 9436902 - 2 per verpakking

Ga naar [www.aeramaxpro.com](http://www.aeramaxpro.com) voor meer informatie over vervangende filters en hulpstukken

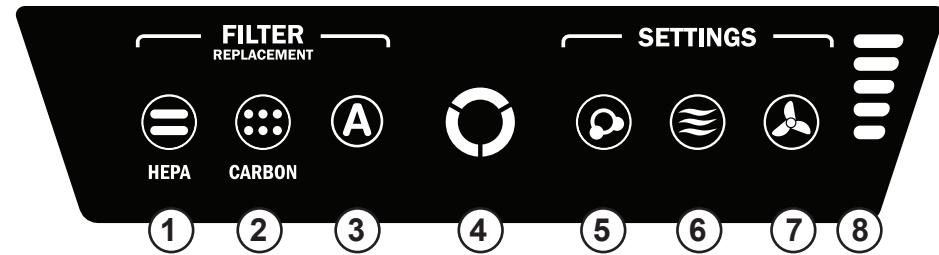
## INFORMATIE VOOR DE GEBRUIKER

Deze apparatuur is getest en conform bevonden met de beperkingen die gelden voor een digitaal apparaat van Klasse B, in navolging van Deel 15 van de regels van de FCC. Deze beperkingen zijn ervoor ontworpen om een redelijke bescherming te bieden tegen schadelijke interferentie in een apparaat. Dit apparaat genereert en gebruikt radiofrequente energie en kan deze uitstralen. Indien dit apparaat niet wordt geïnstalleerd en gebruikt volgens de instructies, kan het schadelijke interferentie veroorzaken in radiocommunicatie. Er is echter geen garantie dat er in een specifiek apparaat geen interferentie zal optreden. Als deze apparatuur schadelijke interferentie veroorzaakt in de radio- of televisieontvangst - iets wat u kunt bepalen door de apparatuur aan en uit te zetten - wordt de gebruiker geadviseerd te proberen de interferentie op een of meer van de volgende manieren op te lossen:

- Wijzig de stand van de ontvangstantenne of zet deze op een andere plaats
- Vergroot de scheiding tussen de apparatuur en de ontvanger
- Sluit de apparatuur aan op een ander circuit dan het circuit waarop de ontvanger is aangesloten.
- Vraag de verkoper of een ervaren radio-/TV-technicus om hulp.

**WAARSCHUWING:** Wijzigingen of aanpassingen die niet expliciet door de fabrikant zijn goedgekeurd, kunnen de garantie en het recht van de gebruiker om de apparatuur te gebruiken, doen vervallen.





**OPMERKING:** nadat de unit wordt aangezet, gaat het lampje "LK" een paar minuten knipperen terwijl het systeem zichzelf kalibreert.

**1 VERVANGINGSINDICATOR HEPA-FILTER** — U kunt de status van deze indicator zien wanneer het toegangspaneel geopend of gesloten is. Als het lampje rood is, is het filter aan vervanging toe. Hoe lang het duurt voordat vervanging nodig is, is afhankelijk van de gebruikte filters, het aantal gebruiksuren, de luchtkwaliteit en de hoeveelheid verplaatste lucht. Zie de sectie **INDICATOREN FILTERVERVANGING** voor beschrijvingen van de filtervervangingsindicatoren.

**2 VERVANGINGSINDICATOR KOOLSTOFFILTER** — U kunt de status van deze indicator zien wanneer het toegangspaneel geopend of gesloten is. Als het lampje rood is, is het filter aan vervanging toe. Hoe lang het duurt voordat vervanging nodig is, is afhankelijk van de gebruikte filters, het aantal gebruiksuren, de luchtkwaliteit en de hoeveelheid verplaatste lucht. Zie de sectie **INDICATOREN FILTERVERVANGING** voor beschrijvingen van de filtervervangingsindicatoren.

**3 INDICATOR HULPSTUK** — U kunt de status van deze indicator zien wanneer het toegangspaneel geopend of gesloten is. Deze indicator wordt alleen gebruikt als een hulpstukfilter in de unit wordt geïnstalleerd. Als het lampje rood is, is het filter aan vervanging toe. Hoe lang het duurt voordat vervanging nodig is, is afhankelijk van de gebruikte filters, het aantal gebruiksuren, de luchtkwaliteit en de hoeveelheid verplaatste lucht. Zie de sectie **INDICATOREN FILTERVERVANGING** voor beschrijvingen van de filtervervangingsindicatoren.

**4 LUCHTKWALITEITSENSOR** — U kunt de status van deze indicator zien wanneer het toegangspaneel geopend of gesloten is. Deze indicator bewaakt de luchtkwaliteit en past automatisch de ventilatorsnelheid aan om uw lucht schoon te houden. Blauwe, gele en rode lichtjes geven aan hoe schoon uw lucht is.

**5 PlasmaTRUE™ TECHNOLOGY** — U kunt de status van deze indicator zien wanneer het toegangspaneel geopend of gesloten is. Creëert een geïoniseerd veld voor het veilig verwijderen van in de lucht aanwezige verontreinigende stoffen. U kunt de PlasmaTRUE™ TECHNOLOGY aan en uit zetten door de PLASMA-indicator ingedrukt te houden. Wanneer de PlasmaTRUE™ TECHNOLOGY is ingeschakeld, gaat een blauw lampje branden. U schakelt de PlasmaTRUE™ TECHNOLOGY uit door de "Plasma"-indicator ingedrukt te houden tot het lampje uit gaat.

**6 AUTOMATISCHE MODUS** — Houd de knop ingedrukt tot het pictogram oplicht om dit te selecteren. In deze modus wordt de EnviroSmart™-technologie gebruikt om de luchtkwaliteit, de luchtverplaatsing en het geluidsniveau te bewaken om de ventilatorsnelheid aan te passen en uw lucht zo snel mogelijk te reinigen. Deze knop includeert tevens de STILLE MODUS. U selecteert deze door de knop ingedrukt te houden tot deze paars wordt. Het apparaat blijft EnviroSmart™ gebruiken maar gebruikt alleen de drie laagste en meest stille van de vijf ventilatorsnelheden.

**7 HANDMATIGE MODUS** — Houd de knop ingedrukt tot het pictogram oplicht om dit te selecteren. Deze modus stelt u ertoe in staat een van de 5 ventilatorsnelheden te kiezen en de unit op deze snelheid te houden tot de modus Automatisch opnieuw wordt gekozen. De interne sensoren passen de ventilatorsnelheid niet aan in deze modus.

**8 INDICATOREN VENTILATORSNELHEID** — De ventilator heeft vijf snelheden en kan turbosnelheid halen om de ruimte te reinigen in het geval van een grote hoeveelheid luchtverontreiniging. De ventilatorsnelheid wordt aangegeven door het aantal verlichte balkjes.

- 1 – fluisterstand
- 2 – laag
- 3 – gemiddeld
- 4 – hoog
- 5 – turbo

WERKING

De luchtreiniger werkt continu automatisch. De gebruiker kan hiervoor op basis van de locatie of de gewenste werking voorkeursopties instellen. De luchtreiniger werkt met een aangegeven aantal snelheden die niet hoger gaan dan het ingestelde maximum, zodat de reiniger stil werkt terwijl de ruimte van luchtverontreiniging wordt ontdaan. Zodra de lucht schoon is en er geen sensoren worden geactiveerd, schakelt de unit over op de energiebesparende modus om energieverbruik te reduceren en het levensduur van de filters te verlengen.

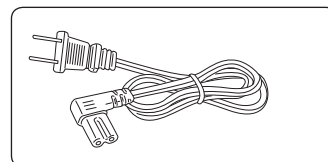
Wanneer de Automatische modus geselecteerd is, wordt de indicator voor de automatische modus blauw weergegeven. In deze modus wordt de EnviroSmart™-technologie gebruikt om de luchtkwaliteit, de luchtverplaatsing en het geluidsniveau te bewaken om de ventilatorsnelheid aan te passen en uw lucht zo snel mogelijk te reinigen. Zodra de lucht schoon is en er geen sensoren worden geactiveerd, schakelt de unit over op de energiebesparende modus om energieverbruik te reduceren en het levensduur van de filters te verlengen.

Het apparaat blijft EnviroSmart™ gebruiken maar gebruikt alleen de drie laagste en meest stille van de vijf ventilatorsnelheden.

Wanneer de Handmatige modus geselecteerd is, wordt de indicator voor de Handmatige modus blauw weergegeven. Deze modus stelt u ertoe in staat een van de 5 ventilatorsnelheden te kiezen en de unit op deze snelheid te houden tot de modus Automatisch wordt gekozen/geselecteerd. De EnviroSmart™-sensoren passen de ventilatorsnelheid NIET aan in deze modus.

MONTAGE

1. Open de unit door op de vergrendelingen aan weerszijden te drukken.
2. Verwijder de verpakking(en) die rond het filter / de filters zit(ten) en plaats het filter / de filters terug in het apparaat.
3. Sluit de IEC-aansluiting aan op de aansluiting voor de stroomkabel aan de achterkant van het apparaat.



VERZORGING EN ONDERHOUD

REINIGING:

- Reinig het apparaat zo nodig door het af te nemen met een droge, zachte doek. Voor hardnekkige vlekken gebruikt u een warme, vochtige doek.
- Gebruik geen vluchtige vloeistoffen zoals verfverdunner, schuurmiddel of andere reinigingsmiddelen die het oppervlak van het apparaat zouden kunnen beschadigen.
- Reinig de luchtinlaat en -uitlaat door deze schoon te vegen met een droge, zachte doek.

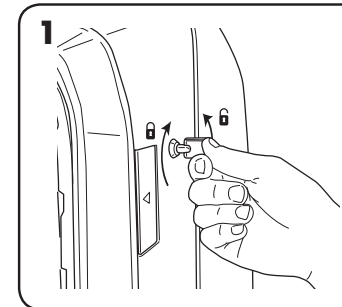
INDICATOREN FILTERVERVANGING:

De filtervervangingsindicatoren signaleren wanneer het HEPA-filter en/of koolstoffilter met voorfilter moeten worden vervangen. Hoe lang het duurt voordat vervanging nodig is, is afhankelijk van het aantal gebruiksuren, de luchtkwaliteit en de hoeveelheid verplaatste lucht. Bij normaal gebruik moeten de meeste HEPA-filters echter om de twee jaar worden vervangen en koolstoffilters om de zes maanden. Wanneer een filter moet worden vervangen, wordt de volgende kleur weergegeven op de vervangingsindicatoren voor de HEPA-, KOOLSTOF- of HULPSTUK-filters:

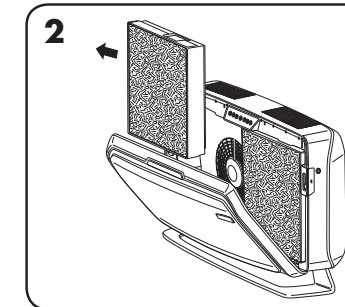
- Rood knipperend licht = RECHTERfilter 90% vol
- Geel knipperend licht = LINKERfilter 90% vol
- Rood knipperen, pauze, geel knipperen, pauze = rechter- en linkerfilters allebei 90% vol
- Rood = vervang RECHTERfilter
- Geel = vervang LINKERfilter
- Beurtelings rood en geel = vervang zowel rechter- als linkerfilter

De filters mogen geen van allen worden gewassen en opnieuw gebruikt, omdat ze na wassen niet goed meer werken. Gebruik alleen AeraMax® PRO-filters als vervanging, aangezien units niet werken met andere merken.

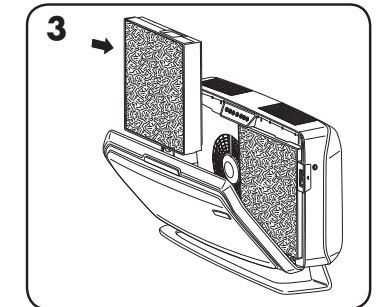
PROCEDURE FILTERVERVANGING:



Open het toegangspaneel: plaats de meegeleverde sleutel in het slot en draai deze 1/4 slag tegen de klok in.



Open het toegangspaneel aan de voorzijde door de vergrendeling aan beide kanten van de unit in te drukken. Laat het paneel volledig openen. Verwijder de/het te vervangen filter(s).



Verwijder alle verpakkingsmateriaal van de/het nieuwe filter(s).

FILTERVERVANGING:

Wanneer u een nieuwe filter installeert, detecteert de unit automatisch het filtertype. De gebruiker moet de filtervervangingsindicatoren echter met de hand opnieuw instellen. Ga als volgt te werk om de knipperende filtervervangingsindicator opnieuw in te stellen:

- 1 Houd de verlichte indicator drie seconden ingedrukt, tot u een piep hoort en de indicator groen knippert.
- 2 Haal uw vinger van de indicator.
- 3 Houd de indicator drie seconden ingedrukt, tot u een piep hoort en het indicatorlichtje uit gaat.

**NB:** Als u stap drie niet binnen 10 seconden na voltooiing van stap 1 uitvoert, wordt het indicatorlichtje niet opnieuw ingesteld.

PROBLEEMOPLOSSING

PROBLEEM:	MOGELIJKE OPLOSSING:
Het luchtreinigingssysteem start niet.	<ul style="list-style-type: none"> <li>• Controleer of de unit op de netstroom is aangesloten.</li> <li>• Controleer of de filters echte AeraMax® PRO-filters zijn, aangezien de unit niet werkt als andere merken geïnstalleerd zijn. BELANGRIJK: Zorg ervoor dat het filterdetectiegebied op echte AeraMax® PRO-vervangingsfilters worden uitgelijnd met het venstertje in het filterframe.</li> <li>• Neem de sectie "Filters opnieuw aanbrengen" door voor meer informatie.</li> <li>• Zorg ervoor dat het toegangspaneel aan de voorkant helemaal gesloten is.</li> <li>• Zorg ervoor dat het apparaat aan staat.</li> </ul>
Het apparaat maakt een zacht tikkend geluid.	<ul style="list-style-type: none"> <li>• Dit geeft aan dat de PlasmaTRUE™-functie werkt.</li> </ul>
De vervangingsindicator voor het HEPA- en/of het koolstoffilter blijft branden na vervanging van het filter/de filters.	<ul style="list-style-type: none"> <li>• Herhaal de procedure voor het opnieuw instellen van de filterlichtjes.</li> </ul>



\*Manualen finns också på [www.aeramaxpro.com](http://www.aeramaxpro.com)

## SÄKERHETSINSTRUKTIONER/VARNING

Tack för att du har köpt AeraMax® PRO AM IVS.

Läs och spara dessa instruktioner. Läs dem noggrant innan du försöker montera, installera, använda eller utföra underhåll på den här produkten. Skydda dig själv och andra genom att beakta säkerhetsinformationen. Om dessa instruktioner inte följs kan det resultera i skada på person och/eller egendom. Behåll instruktionerna för framtida referens.

### VIKTIGA FÖRSIKTIGHETSANVISNINGAR OCH INSTRUKTIONER FÖR ANVÄNDNING AV LUFTRENARE:

**VARNING:** följ instruktionerna i denna handbok för att minska risken för elektriska stötar, kortslutning och/eller eldsvåda:

- Använd inte den här luftrenaren som enda skydd mot skadliga föroreningar.
- Använd endast enheten på det sätt tillverkaren avser. Kontakta tillverkaren om du har frågor.
- Reparera eller modifiera inte apparaten såvida det inte rekommenderas specifikt i denna handbok. Alla reparationer ska utföras av en kvalificerad tekniker.
- Apparats stickkontakt är polariserad med två blad där ett är bredare än det andra. Forcera inte in stickkontakten i eluttaget.
- Ändra inte stickkontakten på något sätt. Om stickkontakten inte passar i uttaget, prova att vända på den. Om den fortfarande inte passar, kontakta en behörig tekniker för att installera ett lämpligt uttag.
- Använd inte om elsladden eller stickkontakten är skadad eller om vägguttaget hänger löst.
- Du får inte skada, bryta, böja med kraft, dra, vrida, bunta ihop, täcka över, klämma ihop eller placera tunga föremål på elsladden.
- Damma av stickkontakten med jämna mellanrum. Detta reducerar risken för ansamling av fukt, som kan öka risken för elektriska stötar.
- Om stickkontakten är skadad, ska den bytas ut av tillverkaren eller en behörig tekniker.
- Dra ut stickkontakten ur eluttaget före rengöring av apparaten. När stickkontakten dras ur ska du gripa tag i själva kontakten, aldrig i sladden.
- Dra ut stickkontakten ur eluttaget när apparaten inte används.
- Hantera inte stickkontakten med våta händer.
- Dra inte elsladden under mattor och täck inte heller över den.
- AeraMax® PRO luftkvalitetssystemet måste vara jordat.
- Stäng av strömmen på servicepanelen innan underhåll eller rengöring av enheten utförs. Läs servicepanelen eller fäst en varningslapp för att hindra att strömmen kopplas på igen oavsiktligt.
- Använd endast strömförsörjning som följer angivna specifikationer (spänning och frekvens) för luftrenaren som installeras.
- Blockera inte luftrenarens luftintag eller utblås.
- Använd inte enheten utan att filter installerats.
- Tvätta inte och återanvänd inte något av filtren.
- Använd inte några andra delar eller filter än AeraMax® PRO eftersom enheten då inte kommer att fungera.
- Spruta inte aerosoler på eller in i enheten.
- Använd inte rengöringsmedel vid rengöring av enheten.
- Låt inte fingrar, vätskor eller främmande föremål komma in i luftintaget eller utblåset.
- Använd inte enheten i något annat syfte än luftrening.
- Om elkabeln är skadad ska den bytas ut av tillverkaren, serviceombudet eller någon annan behörig person för att undvika olyckor.
- Kontrollera att barn inte leker med apparaten.
- Apparaten får användas av barn från 8 år och av personer som har nedsatt fysisk, sensorisk eller mental förmåga eller saknar erfarenhet och kunskap, under förutsättning att det sker under uppsikt eller de har fått anvisningar om säker användning av apparaten och förstår riskerna. Låt inte barn leka med apparaten. Barn får inte rengöra eller utföra underhåll på apparaten utan uppsikt.

## BEGRÄNSAD PRODUKTGARANTI

Begränsad garanti: Fellowes, Inc. ("Fellowes") garanterar att AeraMax® PRO luftkvalitetssystem ("produkten") är fri från materialdefekter och tillverkningsfel under tidsperioderna som stipuleras nedan.

- Endast för PC-enheter: Partikelräknarna och bildskärmen garanteras under en period på tre (3) år, räknat från datumet när produkten ursprungligen inhandlades.
- För standardenheter och PC-enheter: Alla andra delar garanteras under en period på fem (5) år, räknat från datumet när produkten ursprungligen inhandlades. Om produkten installeras i ett nybygge börjar garantiperioden på det som infaller tidigast av tillträdesdatumet eller datumet ett år efter inköpsdatumet. Om någon del är defekt under garantiperioden kommer den enda och uteslutande ersättningen att bli reparation eller en ersättningsprodukt enligt Fellowes val och kostnad motsvarande den defekta delen. Denna garanti täcker inga skador som uppstår genom användning av filter som ej har godkänts av Fellowes eller underlåtenhet att följa rekommenderade utbyteskemor. Denna garanti gäller inte vid missbruk, misskötsel, underlåtenhet att respektera föreskrifterna för produktanvändning, bruk av olämpligt uttag (annat än vad som anges på märkskylten) eller icke auktoriserad reparation. Fellowes förbehåller sig rätten att debitera kunder för extra kostnader som Fellowes ådrar sig för att tillhandahålla reservdelar eller tjänster utanför det land där produkten ursprungligen såldes av en auktoriserad återförsäljare. Utbytbara filter omfattas inte av den här garantin. Om produkten inte är lättillgänglig för Fellowes servicepersonal förbehåller sig Fellowes rätten att förse kunden med reservdelar eller produkt i full överensstämmelse med de förpliktelser som beskrivs i denna garanti eller i eventuella serviceavtal. ALLA UNDERFÖRSTÅDDA GARANTIER, INKLUSIVE SÄLJBARHET ELLER LÄMPLIGHET FÖR NÅGOT SPECIELLT ÄNDAMÅL, BEGRÄNSAS HÄRI GENOM DEN TILLÄMPLIGA GARANTI-PERIOD SOM ANGES OVAN. Under inga omständigheter kan Fellowes hållas ansvarigt för följskador eller andra uppkomna, indirekta eller särskilda skador. Denna garanti ger dig specifika juridiska rättigheter. Villkoren och varaktigheten för denna garanti gäller överallt i världen utom där lokal lagstiftning ställer andra begränsningar eller villkor.

## FÖRPACKNINGENS INNEHÅLL

- AeraMax® PRO Luftkvalitetssystem
- True HEPA-filter med AeraSafe™ antimikrobiell behandling (2 filter)
- Aktivt kolfilter med förfilter (2 av varje filter)
- Nycklar för läsning av frontpanel (2)
- Registreringsinformation

## PRODUKTSPECIFIKATIONER

AeraMax® PRO AM IVS	
Mått (höjd x bredd x djup)	49,7 x 88,1 x 22,8 cm
Systemets vikt (inklusive filter)	15,1 kg
Strömförsörjningskrav	220-240 V, 50/60 Hz, 1,4 A
Strömförbrukning (fem fläkthastigheter)	8, 12, 18, 35, 180 Watt
Lufttillförsel (fem fläkthastigheter)	260, 316, 381, 476, 748 m³/timme
Decibel	42, 44, 51, 53, 68 dB
Display	Kapacitiv pekskärm, endast åtkomlig inifrån
Sensorer	EnviroSmart™
Sensorstyrda driftlägen	Två primära lägen – normalt och tyst läge
Medföljande filter	2 True HEPA-filter med AeraSafe™ antimikrobiell behandling, ett års beräknad genomsnittlig filterlivslängd, samt 2 aktiva kolfilter med förfilter, 6 månaders beräknad genomsnittlig filterlivslängd.
Rengöringssystem	Högeffektivt filter för luftburna partiklar (High Efficiency Particulate Air filter, HEPA) klassat till 99,97 % effektivitet för partiklar på 0,3 mikrometer. Kolfilter som adsorberar lukt och flyktiga organiska föreningar, PlasmaTRUE™ bipolar joniserare.

## ERSÄTTNINGSFILTER

2" HEPA	True HEPA-ersättningsfilter med AeraSafe™-behandling. Genomsnittlig filterlivslängd 12–18 månader: 9416602 – 2-pack
3/8" kol	Ersättningskolfilter med förfilter. Sex månaders genomsnittlig filterlivslängd: 9416502 – 4-pack
2" kol	Ersättningskolfilter. Två års genomsnittlig filterlivslängd: 9436802 – 2-pack
2" Hybrid 1"	True HEPA och 1" ersättningshybridkolfilter med förfilter. Genomsnittlig filterlivslängd 1 år: 9436902 – 2-pack

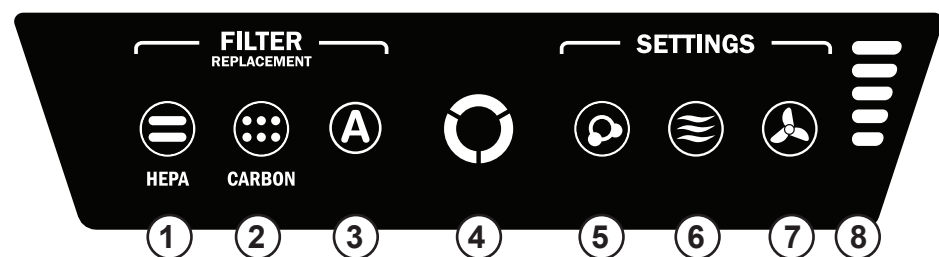
Besök [www.aeramaxpro.com](http://www.aeramaxpro.com) för ytterligare information kring ersättningsfilter och tillbehör.

## INFORMATION TILL ANVÄNDAREN

Utrustningen har testats och befunnits vara i överensstämmelse med begränsningarna för en digital enhet av Klass B, med hänvisning till Del 15 i FCC Rules. Dessa begränsningar avser att ge ett rimligt skydd mot skadlig interferens vid installation. Denna utrustning genererar, använder och kan utsända energi inom radiofrekvensbandet och kan, om den inte installeras i enlighet med instruktionerna, negativt interferera med radiokommunikationer. Det finns dock ingen garanti för att det inte kommer att uppstå interferens för en särskild installation. Om utrustningen orsakar skadlig interferens med radio- eller tv-mottagning (vilket kan fastställas genom att slå på och stänga av utrustningen) rekommenderas användaren att försöka lösa interferensproblemet med en eller flera av följande metoder:

- Justera eller flytta mottagande antenn.
- Öka avståndet mellan utrustningen och mottagaren.
- Anslut utrustningen till en annan slinga än den mottagaren är ansluten till.
- Sök hjälp på försäljningsstället eller av en erfaren radio-/tv-tekniker.

**VARNING:** ändringar eller modifikationer som inte uttryckligen godkänts av tillverkaren kan häva användarens behörighet att använda utrustningen och ogiltiggöra garantin.



**OBSERVERA:** när enheten slås på kommer indikatorlampan för luftkvalitet att blinka i några minuter medan systemet självkalibreras.

- INDIKATOR FÖR BYTE AV HEPA-FILTER** – Den här indikatorn visar sin status när åtkomstpanelen är öppen eller stängd. Om lampan lyser rött betyder det att filtret behöver bytas. Hur ofta byte bör ske varierar beroende på filter som används, antal användningstimmar, luftkvalitet och luftflöde. För beskrivningar av indikatorer för filterbyte, se avsnittet **INDIKATORER FÖR FILTERBYTE**.
- INDIKATOR FÖR BYTE AV KOLFILTER** – Den här indikatorn visar sin status när åtkomstpanelen är öppen eller stängd. Om lampan lyser rött betyder det att filtret behöver bytas. Hur ofta byte bör ske varierar beroende på filter som används, antal användningstimmar, luftkvalitet och luftflöde. För beskrivningar av indikatorer för filterbyte, se avsnittet **INDIKATORER FÖR FILTERBYTE**.
- INDIKATOR FÖR EXTRA** – Den här indikatorn visar sin status när åtkomstpanelen är öppen eller stängd. Den används bara om ett extrafilter är installerat i enheten. Om lampan lyser rött betyder det att filtret behöver bytas. Hur ofta byte bör ske varierar beroende på filter som används, antal användningstimmar, luftkvalitet och luftflöde. För beskrivningar av indikatorer för filterbyte, se avsnittet **INDIKATORER FÖR FILTERBYTE**.
- LUFTKVALITETSENSOR** – Den här indikatorn visar sin status när åtkomstpanelen är öppen eller stängd. Indikatorn övervakar luftkvaliteten och justerar fläkthastigheten för att hålla luften ren. Blå, gula och röda indikatorlampor indikerar hur ren luften är.
- PlasmaTRUE™-TEKNIK** – Den här indikatorn visar sin status när åtkomstpanelen är öppen eller stängd. Skapar ett joniserat fält för att hjälpa till att avlägsna luftburna föroreningar på ett säkert sätt. För att slå på och stänga av PlasmaTRUE™-TEKNIK, tryck på och håll inne PLASMA-indikatorn. När PlasmaTRUE™-TEKNIK är aktiverad lyser en blå lampa. För att avaktivera PlasmaTRUE™-TEKNIK, tryck på och håll inne "Plasma"-indikatorn till dess att lampan slocknar.
- AUTOMATISKT LÄGE** – För att välja detta, tryck och håll in knappen tills ikonen tänds. Det här läget använder EnviroSmart™ teknik för att övervaka luftkvaliteten, rörelse- och ljudnivån för att justera fläkthastigheten för att rena till luft så snabbt som möjligt. Denna knappen inkluderar även LJUDLÖST LÄGE. För att välja detta, tryck och håll in tills knappen blir lila. Enheten kommer fortsätta att använda EnviroSmart™ men utnyttjar endast de 3 lägsta och mest ljudlösa av de 5 fläkthastigheterna.
- MANUELLT LÄGE** – För att välja detta, tryck och håll ned knappen tills ikonen tänds. I detta läge kan du välja fem fläkthastigheter och behålla denna hastighet tills du valt AUTOMATISKT LÄGE igen. De interna sensorerna justerar inte fläkthastigheten i detta läge.
- FLÄKTHASTIGHETS INDIKATORER** – Fläkten har 5 hastigheter och kan nå turbo-hastighet för att rena rummet vid fall av höga föroreningar. Antalet tända ljus indikerar fläktens hastighet.
 

1 - viska	4 - hög
2 - låg	5 - turbo
3 - medium	

## DRIFT

Luftrenaren arbetar kontinuerligt i automatiskt läge; användare kan välja vilken inställning de vill att luftrenaren ska använda utgående från plats eller önskat driftläge. Luftrenaren arbetar inom ett begränsat fläkthastighetsintervall utan att överskrida vald maximal nivå för att köras tyst medan rummet renas från föroreningar. När luften är ren och inga sensorer är aktiverade går enheten in i energisparläge för att minska energianvändningen och öka filtrens livslängd.

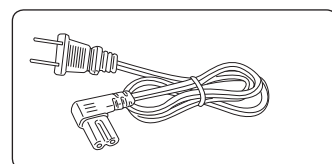
När det automatiska läget är valt kommer indikatorn för det automatiska läget att vara blått. Det här läget använder EnviroSmart™ teknik för att övervaka luftkvaliteten, rörelse- och ljudnivån för att justera fläkthastigheten för att rena till luft så snabbt som möjligt. När luften är ren och inga sensorer är aktiverade går enheten in i energisparläge för att minska energianvändningen och öka filtrens livslängd.

Enheten kommer fortsätta att använda EnviroSmart™ men utnyttjar endast de 3 lägsta och mest ljudlösa av de 5 fläkthastigheterna.

När det manuella läget är valt kommer indikatorn för det manuella läget att vara blått. I detta läge kan du välja fem fläkthastigheter och behålla denna hastighet tills du valt automatiskt läge. EnviroSmart™ sensorerna kommer INTE att justera fläkthastigheten i detta läget.

## INSTALLATION

- Öppna enheten genom trycka på låskretsarna vid båda sidorna.
- Ta bort påsarna från filtren och sätt tillbaka dem i enheten.
- Anslut IEC-stickkontakten i elkontaktuttaget på enhetens baksida.



## SKÖTSEL OCH UNDERHÅLL

### RENGÖRING:

- Rengör enhetens yttre vid behov genom att torka med en torr, mjuk trasa; använd en varm, fuktig trasa för fläckar.
- Använd inte flyktiga ämnen som bensen, förtunningsmedel eller rengöringsmedel i pulverform och dylikt eftersom de kan skada apparatens yta.
- Rengör luftintag och utblås genom att torka med en torr, mjuk trasa.

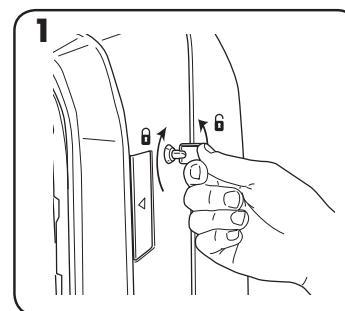
### INDIKATORER FÖR FILTERBYTE:

Indikatorerna för filterbyte signalerar när det är dags att byta ut HEPA-filtret och/eller kolfiltret med förfilter. Hur ofta byte bör ske varierar beroende på antal användningstimmar, luftkvalitet och luftflöde. Under normal användning måste dock de flesta HEPA-filter bytas ut vartannat år och kolfiltren med förfilter var sjätte månad. När ett filter behöver bytas ut kommer någon av filterbytesindikatorerna för HEPA, KOL eller EXTRA att visa följande färger:

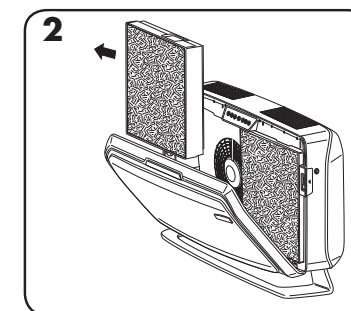
- Blinkande rött = HÖGER filter 90 % fullt
- Blinkande gult = VÄNSTER filter 90 % fullt
- Röd blinkning, paus, gul blinkning, paus = Höger och VÄNSTER filter 90 % fulla
- Rött = Byt HÖGER filter
- Gult = Byt VÄNSTER filter
- Växlande rött och gult = Byt höger och vänster filter

Tvätta inte och återanvänd inte något av filtren – de kommer inte att fungera effektivt. Använd endast ersättningsfilter från AeraMax® PRO eftersom enheten inte fungerar med andra sorter.

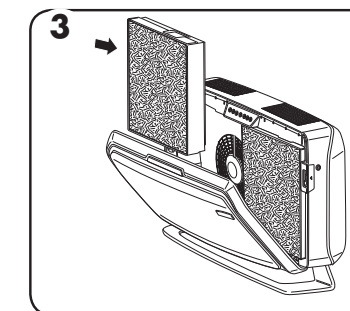
### PROCEDUR FÖR FILTERBYTE:



Lås upp åtkomstpanel: sätt i medföljande nyckel och vrid ett kvarts varv motsols för att låsa upp.



Öppna åtkomstpanelen i fronten genom att trycka in spärrhakarna på enhetens sidor. Låt panelen öppnas helt. Avlägsna filter som ska bytas.



Avlägsna eventuellt förpackningsmaterial från nya filter innan de installeras.

### FILTERBYTE:

När ett nytt filter installeras kommer enheten att känna igen filtertypen automatiskt, men användaren måste återställa indikatorerna för filterbyte manuellt. Använd följande procedur för att återställa den blinkande indikatorn för filterbyte:

- Tryck på och håll inne den lysande indikatorn i tre sekunder till dess att ett pip hörs och indikatorn blinkar grönt.
- Släpp upp fingret från indikatorn.
- Tryck på och håll inne indikatorn i tre sekunder till dess att ett pip hörs och indikatorlampan slocknar.

**Observera:** om du inte utför steg 3 inom tio sekunder från att steg 1 utförts, kommer indikatorlampan inte att återställas.

## FELSÖKNING

PROBLEM:	MÖJLIG ÅTGÄRD:
Luftkvalitetssystemet startar inte.	<ul style="list-style-type: none"> <li>Kontrollera att enheten har strömförsörjning.</li> <li>Kontrollera att filtren är äkta AeraMax® PRO-filter, eftersom enheten inte fungerar med andra märken. VIKTIGT: kontrollera att kontrollområdet för AeraMax® PRO ersättningsfilter är inpassad med fönstret i filterramen.</li> <li>Gå igenom avsnittet "Ominstallera filter" för mer detaljer.</li> <li>Kontrollera att åtkomstpanelen i fronten är helt stängd.</li> <li>Kontrollera att strömbrytaren är på.</li> </ul>
Apparaten avger ett svagt tickande ljud.	<ul style="list-style-type: none"> <li>Detta indikerar att den bipolära "PlasmaTRUE™"-joniseraren används.</li> </ul>
Indikatorlampan för HEPA- och/eller kolfilter fortsätter att lysa efter filtren har bytts.	<ul style="list-style-type: none"> <li>Upprepa instruktionerna för återställning av filterlampor.</li> </ul>



\*Hvis du ønsker en manual, kan du besøge [www.aeramaxpro.com](http://www.aeramaxpro.com)

## SIKKERHEDSVEJLEDNING/ADVARSEL

Tak fordi du købte AeraMax<sup>®</sup> PRO AM IVS.

Læs venligst og opbevar denne vejledning. Læs omhyggeligt inden du forsøger at samle, installere, betjene eller vedligeholde dette produkt. Beskyt dig selv og andre ved at overholde alle sikkerhedsoplysninger. Manglende overholdelse af vejledningen kan resultere i personskaade og/eller beskadigelse af ejendom. Opbevar vejledningen til fremtidigt brug.

### VIGTIGE ADVARSLER OG VEJLEDNINGER TIL BETJENING AF LUFTFILTER:

**ADVARSEL:** Følg vejledningen i denne manual for at mindske faren for elektrisk stød, kortslutning og/eller brand:

- Du må ikke anvende dette luftfilter som den eneste beskyttelse mod skadelige forureningskilder.
- Brug kun denne enhed til det formål som den er beregnet til fra producenten. Hvis du har nogen spørgsmål, bedes du kontakte producenten.
- Enheden må ikke repareres eller modificeres, medmindre det specifikt er anbefalet i vejledningen. Alle reparationer bør udføres af en kvalificeret tekniker.
- Stikket er polariseret, og et ben er bredere end det andet. Tving ikke stikket ind i en stikkontakt.
- Stikket må ikke ændres på nogen måde. Vend stikket om, hvis det ikke passer ind i stikkontakten. Kontakt en kvalificeret elektriker for at montere den rigtige stikkontakt, hvis stikket ikke passer.
- Brug ikke, hvis netledningen eller stikket er beskadiget, eller hvis forbindelsen til stikkontakten er løs.
- Vær forsigtig med ikke at beskadige, knække, bukke ved tvang, trække i, dreje, samle, tildække, klemme eller stille tunge genstande ovenpå netledningen.
- Fjern regelmæssigt støv fra stikkontakten. Det vil formindske risikoen for ophobning af fugtighed, hvilket kan øge risikoen for elektrisk stød.
- Hvis strømstikket er beskadiget, skal det udskiftes af producenten eller en kvalificeret elektriker.
- Tag strømstikket ud af stikkontakten før enheden rengøres. Tag fat i selve stikket, når det tages ud, aldrig ledningen.
- Tag stikket ud af stikkontakten, når enheden ikke er i brug.
- Tag ikke fat i netledningen med våde hænder.
- Læg ikke netledningen under tæpper eller og tildæk den ikke med tæpper.
- AeraMax<sup>®</sup> PRO luftkvalitetskontrolsystem skal have jordforbindelse.
- Inden vedligeholdelse eller rengøring af enheden skal du afbryde strømmen på servicepanelet. Læs servicepanelet eller fastgør et advarselsskilt for at forhindre, at strømmen bliver tilsluttet ved et uheld.
- Brug kun elektrisk strøm (spænding og frekvens) som angivet for det pågældende luftfilter, der bliver installeret.
- Du må ikke tildække luftindtaget eller luftudsugningen på luftfilteret.
- Du må ikke bruge enheden uden påmonterede filtre.
- Du må ikke vaske eller genbruge filtrene.
- Du må ikke bruge tilbehør eller filtre bortset fra AeraMax<sup>®</sup> PRO brand, eftersom enheden ikke vil fungere.
- Du må ikke sprøjte aerosol på eller ind i enheden.
- Du må ikke bruge rengøringsmidler til at rengøre enheden.
- Du må ikke komme fingre, væsker eller fremmedlegemer ind i luftindtaget eller -udsugningen.
- Du må ikke anvende enheden til andre formål end luftfiltrering.
- Hvis ledningen, der medfølger, bliver beskadiget, skal den udskiftes af producenten, dennes serviceforhandler eller lignende kvalificeret personale for at undgå fare.
- Børn skal overvåges for at sikre, at de ikke leger med apparatet.
- Dette apparat kan anvendes af børn på 8 år og derover samt personer med nedsatte fysiske, sensoriske eller mentale evner eller manglende erfaring eller viden, såfremt de er under opsyn eller har fået anvisninger i sikker brug af apparatet og forstår farerne. Børn må ikke lege med apparatet. Må ikke rengøres eller vedligeholdes af børn, der ikke er under opsyn.

## BEGRÆNSET PRODUKTGARANTI

Begrænset garanti: Fellowes, Inc. ("Fellowes") garanterer, at AeraMax<sup>®</sup> PRO luftkvalitetskontrolsystemet ("Produktet") er fri for fejl i materialer og arbejde i de nedenstående tidsperioder.

- Kun til PC-enheder: Partikeltællere og displayskærm i en periode på tre (3) år fra det oprindelige køb af produktet.
- Til standard og PC-enheder: Alle andre dele i en periode på fem (5) år fra det oprindelige køb af produktet. I tilfælde af, at produktet bliver installeret på en nyopført konstruktion, skal garantien træde i kraft på den dato, du flytter ind eller et år efter købsdatoen, hvad der end kommer først. Hvis det konstateres, at en del er defekt under garantiperioden, vil den eneste og eksklusive afhjælpende foranstaltning være reparation eller ombytning, efter Fellowes valg og omkostning, af den defekte del. Denne garanti dækker ikke skader, der er forårsaget pga. brug af andre filtre end de af Fellowes anbefalede filtre eller manglende overholdelse af udskiftningskemaet. Denne garanti er ugyldig i tilfælde af misbrug, forkert anvendelse, undladelse af at overholde produktets anvendelsesstandarder, betjening med forkert strømforsyning eller uautoriseret reparation. Fellowes forbeholder sig retten til at opkræve forbrugeren for yderligere omkostninger erholdt af Fellowes for at levere dele eller service udenfor det land, hvor maskinen oprindeligt blev solgt af en autoriseret detailforhandler. Denne garanti omfatter ikke udskiftningsfiltre. I tilfælde af, at produktet ikke er tilgængeligt for Fellowes autoriseret personale, forbeholder Fellowes sig retten til at levere reservedele eller produktet som fuldt ud tilfredsstillende i henhold til garantiens krav og serviceforpligtelser. ENHVER IMPLICIT GARANTI, INKLUSIV SALGBARHED ELLER BRUGSEGNETHED TIL ET SPECIELT FORMÅL, ER HERMED BEGRÆNSET I VARIGHED TIL DEN PÅGÆLDENDE GARANTIPERIODE SOM NÆVNT OVENFOR. Fellowes skal under ingen omstændigheder gøres ansvarlig for nogen følge- eller indirekte skader, som kan henføres til dette produkt. Denne garanti giver dig specifikke juridiske rettigheder. Varighed, betingelser og vilkår under denne garanti er gældende på verdensplan, undtagen hvor andre begrænsninger, restriktioner eller forhold kræves af den lokale lov.

## PAKKEN INDEHOLDER

- AeraMax<sup>®</sup> PRO luftkvalitetskontrolsystem
- True HEPA Filter med AeraSafe<sup>™</sup> antimikrobiel behandling (2 filtre)
- Aktiveret kulstoffilter m/forfilter (2 af hvert filter)
- Nøgler til at låse frontpanel (2)
- Registreringsoplysninger

## PRODUKTSPECIFIKATIONER

AeraMax <sup>®</sup> PRO AM IVS	
Størrelser (H x B x D)	49,7 x 88,1 x 22,8 cm
Systemets vægt (inklusive filtre)	15,1 kg
Strømkrav	220-240 V, 50/60 Hz, 1,4 A
Strømforbrug (5 ventilatorhastigheder)	8, 12, 18, 35, 180 W
Luftkapacitet (5 ventilatorhastigheder)	260, 316, 381, 476, 748 CFM
Decibel	42, 44, 51, 53, 68 dB
Skærm	Capacitive Touch, kun intern adgang
Sensorer	EnviroSmart <sup>™</sup>
Sensorkontrollerede driftstilstande	2 primære tilstande - Normal tilstand og stille tilstand
Medfølgende filtre	2 True HEPA filtre med AeraSafe <sup>™</sup> antimikrobiel behandling med en anslået holdbarhed af filteret på 1 år, 2 aktiverede kulstoffiltre med forfilter med en anslået holdbarhed af filteret på 6 måneder.
Rensningssystem	High Efficiency Particulate Air (HEPA) filter normeret effektivitet på 99,97 % af luftbårne partikler ved 0,3 mikrometer. Kulstoffiltre absorberer lugt og ustabile organiske forbindelser, PlasmaTRUE <sup>™</sup> topletole ioniser.

## UDSKIFTNINGSFILTRE

2" HEPA	True HEPA udskiftningsfilter med AeraSafe <sup>™</sup> -behandling. Gennemsnitlig holdbarhed af filtre 12 – 18 måneder: 9416602 – pakke med 2 stk.
3/8" kulstof	Granulært aktiveret kulstofudskiftningsfilter med forfilter. Gennemsnitlig holdbarhed 6 måneder: 9416502 – pakke med 4 stk.
2" kulstof	Granulært aktiveret kulstofudskiftningsfilter. Gennemsnitlig holdbarhed af filtre 2 år: 9436802 – pakke med 2 stk.
2" hybrid 1"	Hybrid True HEPA- og 1" kulstof-udskiftningsfilter med forfilter. Gennemsnitlig holdbarhed af filtre 1 år: 9436902 – pakke med 2 stk.

For yderligere oplysninger om udskiftning af filtre og tilbehør besøg: [www.aeramaxpro.com](http://www.aeramaxpro.com)

## INFORMATION TIL BRUGEREN

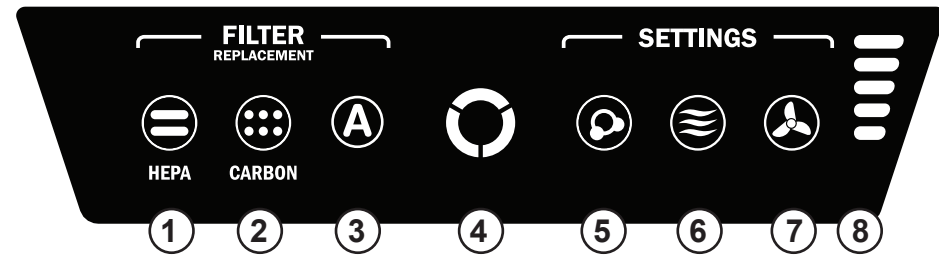
Dette udstyr er blevet testet og er i overensstemmelse med grænserne for Klasse B digitale enheder i henhold til afsnit 15 i FCC vedtægten. Disse grænser er beregnet til at yde en rimelig beskyttelse mod skadelig interferens fra en installation. Dette udstyr udvikler, bruger og kan udsende radiofrekvensenergi, og kan, hvis det ikke installeres i overensstemmelse med vejledningerne, forårsage skadelig interferens for radiokommunikationer. Der er dog ingen garanti for, at der ikke opstår interferens på en specifik installation. Hvis dette udstyr forårsager skadelig interferens for radio- og fjernsynsmodtagelse, som kan konstateres ved at tænde og slukke for udstyret, opfordres brugeren til at forsøge at korrigere interferensen med én eller flere af de følgende metoder:

- Omplacer eller flyt antennen til et andet sted
- Øg afstanden mellem udstyret og modtageren
- Tilslut udstyret til et andet kredsløb end det, som modtageren er tilsluttet til.
- Kontakt forhandleren eller en erfaren radio/TV-tekniker, hvis du har brug for hjælp.

**ADVARSEL:** Alle ændringer eller modifikationer af dette udstyr, der ikke er udtrykkeligt godkendt af producenten, kunne ugyldiggøre brugerens tilladelse til at betjene udstyret.



## DISPLAYPANEL



**BEMÆRK:** Efter enheden er afbrudt vil "AQ"-lampen blinke i nogle få minutter, mens systemet udfører selvkalibrering.

- 1 HEPA FILTERUDSKIFTNINGSINDIKATOR** – Denne indikator viser sin status, når adgangspanelet er åbent eller lukket. Hvis lyset er rødt, betyder det, at filteret skal udskiftes. Udskiftningsintervallet afhænger af brugen af filteret, driftstimer, luftkvaliteten og luftstrømmen. For en beskrivelse af filterudskiftningsindikatorer se afsnittet *FILTERUDSKIFTNINGSINDIKATORER*.
- 2 KULSTOFFILTER-UDSKIFTNINGSINDIKATOR** – Denne indikator viser sin status, når adgangspanelet er åbent eller lukket. Hvis lyset er rødt, betyder det, at filteret skal udskiftes. Udskiftningsintervallet afhænger af brugen af filteret, driftstimer, luftkvaliteten og luftstrømmen. For en beskrivelse af filterudskiftningsindikatorer se afsnittet *FILTERUDSKIFTNINGSINDIKATORER*.
- 3 TILBEHØRSINDIKATOR** – Denne indikator viser status, når adgangspanelet er åbent eller lukket. Denne indikator anvendes kun, hvis der er installeret et tilbehørsfilter på enheden. Hvis lyset er rødt, betyder det, at filteret skal udskiftes. Udskiftningsintervallet afhænger af brugen af filteret, driftstimer, luftkvaliteten og luftstrømmen. For en beskrivelse af filterudskiftningsindikatorer se afsnittet *FILTERUDSKIFTNINGSINDIKATORER*.
- 4 LUFTKVALITETSSENSOR** – Denne indikator viser status, når adgangspanelet er åbent eller lukket. Denne indikator overvåger luftkvaliteten og justerer ventilatorhastigheden for at rense luften. Blå, gule og røde lamper indikerer luftens renhed.
- 5 PlasmaTRUE™ TEKNOLOGI** – Denne indikator viser status, når adgangspanelet er åbent eller lukket. Laver et ioniseret felt, der hjælper med at fjerne luftbårne forureningskilder på en sikker måde. For at tænde og slukke for PlasmaTRUE™ TEKNOLOGI berør og hold PLASMA-indikatoren. En blå lampe lyser, når PlasmaTRUE™ TEKNOLOGI er slået til. For at afbryde PlasmaTRUE™ TEKNOLOGI skal du trykke og holde "Plasma"-indikatoren, indtil lampen slukkes.
- 6 AUTOMATISK TILSTAND** – Vælg ved at trykke og holde knappen, til ikonet lyser. Denne tilstand bruger EnviroSmart™-teknologi til at overvåge luftkvaliteten, bevægelser og støjniveau for at justere ventilatorhastigheden og rense din luft så hurtigt som muligt. Knappen omfatter også STILLE TILSTAND. Vælg ved at trykke og holde knappen, til den bliver lilla. Maskinen vil fortsætte med at bruge EnviroSmart™, men vil kun anvende de 3 laveste, som er de mest stille af de 5 ventilatorhastigheder.
- 7 MANUEL TILSTAND** – Vælg ved at trykke på holde knappen, til ikonet lyser. Med denne tilstand kan du vælge en af de fem ventilatorhastigheder og køre enheden med denne hastighed, til AUTOMATISK TILSTAND er valgt igen. De indvendige sensorer justerer ikke ventilatorhastigheden i denne tilstand.
- 8 INDIKATORER FOR VENTILATORHASTIGHEDER** – Ventilatoren har 5 hastighedsniveauer og kan opnå turbohastighed for at rense luften i rummet i tilfælde af et højt kontaminantniveau. Antallet af belyste barer indikerer ventilatorhastigheden.
 

1 – Stille	4 – Høj
2 – Lav	5 – Turbo
3 – Middel	

## BETJENING

Luftrenseren bliver ved med at køre i automatisk tilstand; brugeren kan vælge, hvilke præferencer vedkommende ønsker at anvende, baseret på placeringen eller den ønskede betjening af luftrenseren. Luftrenseren kører gennem et reduceret antal hastigheder uden at overstige det maksimale valgte niveau, for at kunne køre stille, mens rummet renses for urenheder. Når først luften er renset og ingen sensorer er aktiverede, vil enheden overgå i energibesparende tilstand for at reducere energiforbruget og forlænge filternes levetid.

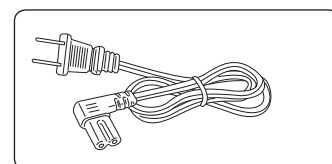
Når Automatisk Tilstand er valgt, vil indikatoren for Automatisk Tilstand være blå. Denne tilstand bruger EnviroSmart™-teknologi til at overvåge luftkvaliteten, bevægelser og støjniveau for at justere ventilatorhastigheden og rense din luft så hurtigt som muligt. Når først luften er renset og ingen sensorer er aktiverede, vil enheden overgå i energibesparende tilstand for at reducere energiforbruget og forlænge filternes levetid.

Maskinen vil fortsætte med at bruge EnviroSmart™, men vil kun anvende de 3 laveste, som er de mest stille af de 5 ventilatorhastigheder.

Når Manuel Tilstand er valgt, vil indikatoren for Manuel Tilstand være blå. Med denne tilstand kan du vælge en af de fem ventilatorhastigheder og køre enheden med denne hastighed, til automatisk tilstand er valgt. EnviroSmart™-sensorerne justerer IKKE ventilatorhastigheden i denne tilstand.

## OPSÆTNING

1. Åbn enheden ved at trykke på låsene på begge sider.
2. Tag filtret(ene) ud af posen(erne) og sæt filtret i enheden.
3. Sæt IEC-stikket i el-tilslutningen bag på enheden.



## OPBEVARING OG VEDLIGEHOLDELSE

### RENGØRING:

- Rengør den udvendige side på huset efter behov med en tør og blød klud; til fjernelse af pletter kan anvendes en varm fugtig klud.
- Du må ikke anvende kraftige rengøringsmidler som rensbenzin, fortynder, skurepulver eller andre rengøringsmidler, der kan beskadige overfladen.
- Rengør luftindtaget og udsugningsventilerne ved at aftørre med en tør blød klud.

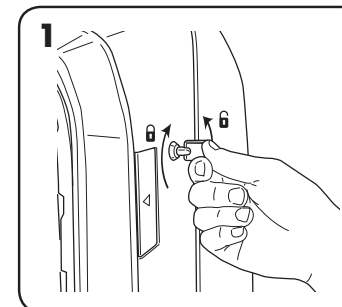
### FILTERUDSKIFTNINGSINDIKATORER:

Udskiftningsfilterindikatorer signalerer, når det er tid at udskifte HEPA-filteret og/eller kulstof med forfilter. Udskiftningsintervallet afhænger af, hvor ofte filteret bruges, luftens kvalitet og luftstrømmen. Under normale omstændigheder skal de fleste HEPA-filtre imidlertid udskiftes hvert andet år og kulstof med forfilter hvert halve år. Når et filter skal udskiftes, vises flg. farve på alle HEPA-, KULSTOF-, eller TILBEHØRS-filterudskiftningsindikatorerne:

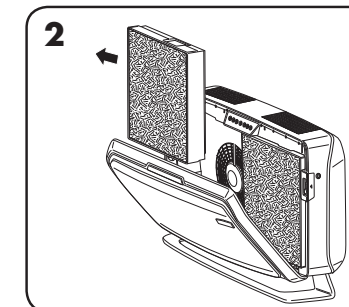
- Blinker rødt = HØJRE filter 90 % fuld
- Blinker gult = VENSTRE filter 90 % fuld
- Blinker rødt, Pause, blinker gult, Pause = Højre og VENSTRE filtre 90 % fulde
- Rød = Udskift HØJRE filter
- Gul = Udskift VENSTRE filter
- Henholdsvis rød og gul = Udskift højre og venstre filtre

Du må ikke rengøre og genbruge filtrene – de fungerer ikke ordentligt bagefter. Anvend kun AeraMax® PRO brand udskiftningsfiltre, idet enheden ikke fungerer korrekt med andre filtre.

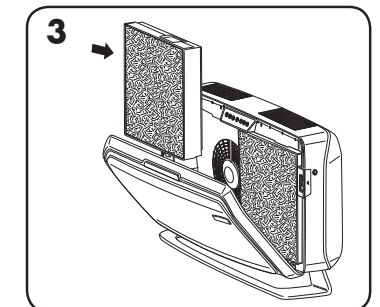
### FILTERUDSKIFTNINGSPROCEDURE:



1 Lås adgangspanelet op: For at låse op skal du isætte den medfølgende nøgle og dreje den en kvart omdrejning mod uret.



2 Åbn adgangspanelet på fronten ved at trykke på klinkerne på begge sider af enheden. Lad enheden åbne helt. Udtag de filtre der skal udskiftes.



3 Fjern evt. emballage fra de nye filtre og genplacer filtrene.

### FILTERUDSKIFTNING:

Når du installerer et nyt filter, vil enheden automatisk registrere filtertypen, men brugeren skal selv manuelt nulstille filterudskiftningsindikatoren. For at nulstille den blinkende filterudskiftningsindikator skal du gøre følgende:

- 1 Berør og hold den oplyste indikator i tre sekunder, indtil der høres et bip og indikatoren blinker grønt.
- 2 Giv slip med fingeren på indikatoren.
- 3 Berør og hold indikatoren i tre sekunder, indtil der høres et bip og indikatoren slukkes.

**Bemærk:** Hvis du ikke gennemfører trin tre inden for 10 sekunder efter, du har gennemført det første trin, vil indikatorlampen ikke blive nulstillet.

## FEJLFINDING

PROBLEM:	MULIG LØSNING:
Luftkvalitetskontrollsystemet starter ikke.	<ul style="list-style-type: none"> <li>• Kontroller om det er tilsluttet til strømforsyningen.</li> <li>• Sørg for, at filtre er originale AeraMax® PRO-filtre, eftersom enheden ikke fungerer korrekt med andre mærker. VIGTIGT: Sørg for, at filterdetektionsområdet på det originale AeraMax® PRO udskiftningsfilter flugter med vinduet på filterrammen.</li> <li>• Gennemgå afsnittet "Genplacering af filter" for yderligere oplysninger.</li> <li>• Sørg for, at adgangspanelet er ordentligt lukket.</li> <li>• Sørg for, at strømmen er tilsluttet.</li> </ul>
Enheden laver en svag tikkende lyd.	<ul style="list-style-type: none"> <li>• Dette angiver, at "PlasmaTRUE™" topolet ioniser fungerer korrekt.</li> </ul>
HEPA og/eller kulstoffilter-udskiftningsindikatorlampen bliver ved med at lyse efter udskiftning af filter.	<ul style="list-style-type: none"> <li>• Gentag filterlampe-nulstillingsproceduren.</li> </ul>

\*Saat kopion ohjeista osoitteesta [www.aeramaxpro.com](http://www.aeramaxpro.com)

## TURVALLISUUSOHJEET JA VAROITUS

Kiitos, että ostit AeraMax<sup>®</sup> PRO AM IVS -tuotteen.

Lue ja säädä nämä ohjeet. Lue ohjeet huolellisesti, ennen kuin yrität koota, asentaa, käyttää tai huoltaa tätä tuotetta. Suojaa itseäsi ja muita noudattamalla kaikkia turvallisuusohjeita. Ohjeiden noudattamatta jättäminen voi aiheuttaa henkilövahinkoja ja aineellisia vahinkoja. Säilytä ohjeet myöhempää tarvetta varten.

### TÄRKEITÄ ILMANPUHDISTIMEN KÄYTTÖÖN LIITTYVIÄ HUOMIOITA JA OHJEITA:

**VAROITUS:** Noudata tämän oppaan ohjeita vähentääksesi sähköiskun, oikosulun ja tulipalon vaaraa:

- Älä käytä tätä ilmanpuhdistinta ainoana suojana vahingollisia saasteita vastaan.
- Käytä laitetta vain sen valmistajan tarkoittamalla tavalla. Jos sinulla on kysymyksiä, ota yhteyttä valmistajaan.
- Älä korjaa tai muunna laitetta, ellei käyttöoppaassa erityisesti suositella toimimaan niin. Vain pätevä teknikko saa suorittaa korjaustoimenpiteitä.
- Tämän laitteen pistoke on polaroitu siten, että yksi tappi on leveämpi kuin toinen. Älä työnnä pistoketta väkisin pistorasiaan.
- Älä muunna pistoketta millään tavalla. Jos pistoke ei sovi pistorasiaan, käännä se toisinpäin. Jos se ei siltikään sovi, ota yhteyttä pätevään teknikkoon, joka voi asentaa toimivan pistorasian.
- Älä käytä laitetta, jos sen virtajohto tai pistoke on vahingoittunut tai jos se istuu löyhästi pistorasiassa.
- Älä vahingoita, riko, taivuta väkisin, vedä, väännä, kierrä, päällystä tai purista virtajohtoa äläkä aseta sen päälle painavia esineitä.
- Pyyhi pöly säännöllisesti pistokkeesta. Tämä alentaa kosteuden kerääntymisen mahdollisuutta, sillä kosteus lisää sähköiskun vaaraa.
- Jos pistoke vahingoittuu, sen saa vaihtaa vain valmistaja tai pätevä teknikko.
- Poista pistoke pistorasiasta ennen kuin puhdistat laitteen. Irrota pistoke pitämällä kiinni itse pistokkeesta, älä koskaan vedä johdosta.
- Irrota pistoke pistorasiasta, kun laite ei ole käytössä.
- Älä käsittele pistoketta märin käsin.
- Älä aseta virtajohtoa mattojen alle äläkä peitä sitä pikkumatoilla.
- AeraMax<sup>®</sup> PRO -ilmanlaadunhallintajärjestelmän täytyy olla maadoitettu.
- Sulje virta huoltopaneelista, ennen kuin huollat tai puhdistat yksikköä. Lukitse huoltopaneeli tai kiinnitä laitteeseen varoitus, niin että virtaa ei vahingossa kytkeä takaisin päälle.
- Käytä vain sitä sähkövirtaa (jännite ja taajuus), jota asennettava ilmanpuhdistinmalli käyttää.
- Älä tuki ilmanpuhdistimen ilmanotto- tai ilmanpoistoaukkoja.
- Älä käytä laitetta ilman suodattimia.
- Älä pese ja käytä uudelleen mitään suodattimia.
- Älä käytä muita kuin AeraMax<sup>®</sup> PRO -merkkisiä lisälaitteita tai suodattimia, sillä muuten yksikkö ei toimi.
- Älä suihkuta aerosoleja yksikön päälle tai sisään.
- Älä käytä pesuaineita yksikön puhdistamiseen.
- Älä työnnä sormia, nesteitä tai vierasesineitä ilmanotto- tai ilmanpoistoaukoihin.
- Älä käytä laitetta mihinkään muuhun tarkoitukseen kuin ilman puhdistukseen.
- Jos virtajohto on vaurioitunut, valmistajan tai sen valtuuttaman huoltajan tai vastaavan, pätevän tahon on vaihdettava se vaaran välttämiseksi.
- Vahdi, että lapset eivät leiki laitteen kanssa.
- Tätä laitetta voivat käyttää yli 8-vuotiaat lapset ja henkilöt, joiden fyysiset, aistimelliset tai henkiset kyvyt tai kokemukset ja tiedot ovat tavanomaista heikkomat, jos heille on opastettu laitteen turvallista käyttöä ja jos he ymmärtävät siihen liittyvät vaaratekijät. Lapset eivät saa leikkiä laitteella. Lapset eivät saa puhdistaa tai huoltaa laitetta ilman valvontaa.

## TUOTTEEN RAJOITETTU TAKUU

Rajoitettu takuu: Fellowes, Inc. ("Fellowes") myöntää AeraMax<sup>®</sup> PRO -ilmanlaadunhallintajärjestelmälle ("Tuote") takuun, joka kattaa materiaali- ja valmistusvialla määritettyjen takuuaikojen ajalta.

- Vain PC-yksiköt: hiukkaslaskurien ja näyttöruudun takuuaika on kolme (3) vuotta tuotteen alkuperäisestä ostopäivästä.
- Tavalliset ja PC-yksiköt: kaikkien muiden osien takuuaika on viisi (5) vuotta tuotteen alkuperäisestä ostopäivästä. Siinä tapauksessa, että tuote asennetaan uuteen rakennukseen, takuuaika alkaa joko siitä päivästä, jona muuttolupa on saatu, tai yhden vuoden kuluttua ostopäivästä riippuen siitä, kumpi ajankohta on aikaisempi. Jos osassa havaitaan vika takuuaikana, ainoana ja yksinomaisena ratkaisuna on viallisen osan korjaus tai vaihto Fellowesin valinnan mukaan ja kustannuksella. Tämä takuu ei kata vahinkoja, jotka aiheutuvat muiden kuin Fellowesin hyväksymien suodattimien käytöstä tai suositellun vaihtoaikataulun noudattamatta jättämisestä. Takuu ei kata väärinkäyttöä, virheellistä käsittelyä, tuotteen normaaleista käyttötavoista poikkeavaa käyttöä, laitteen käyttöä epäasianmukaisella virtalähteellä (muu kuin tuotetarrassa on mainittu) tai valtuuttamatonta korjausta. Fellowes pitää oikeuden veloittaa asiakkaalta mahdolliset lisäkustannukset, jotka aiheutuvat siitä, että Fellowes toimittaa osia tai palveluja muuhun kuin siihen maahan, jossa valtuutettu jälleenmyyjä on tuotteen alun perin myynyt. Tämä takuu ei kata vaihdettavia suodattimia. Siinä tapauksessa, että Fellowesin nimetty huoltohenkilöstö ei helposti pääse käsiksi tuotteeseen, Fellowes pitää oikeuden toimittaa asiakkaalle varaosia tai koko tuotteen noudattaen täysin tämän takuun ja mahdollisten palvelusvelvoitteiden ehtoja. KAIKKIEN HILJAISTEN TAKUIDEN, MUKAAN LUKIEN KAUPALLISTAMINEN TAI SOVELTUVUUS TIETTYÄ TARKOITUSTA VARTEN, KESTO ON TÄTEN RAJATTU EDELLÄ MÄÄRÄTYN TAKUUAJAN MUKAISESTI. Fellowes ei vastaa missään tapauksessa mistään välillisistä, tahattomista tai epäsuorista vahingoista. Tämä takuu antaa käyttäjälle erityiset lainmukaiset oikeudet. Tämän takuun kesto ja ehdot ovat voimassa maailmanlaajuisesti lukuun ottamatta paikallisen lainsäädännön edellyttämiä erilaisia rajoituksia tai ehtoja.

## PAKKAUKSEN SISÄLTÖ

- AeraMax<sup>®</sup> PRO -ilmanlaadunhallintajärjestelmä
- True HEPA -suodatin, jossa AeraSafe<sup>™</sup> antimikrobikäsittely (2 suodatinta)
- Aktiivihiiisuodatin ja esisuodatin (2 jokaista suodatinta)
- Avaimet etupaneelin lukitsemiseen (2 kpl)
- Rekisteröintitiedot

## TUOTTEEN TEKNISEET TIEDOT

AeraMax <sup>®</sup> PRO AM IVS	
Mitat (K x L x S)	49,7 x 88,1 x 22,8 cm
Laitteen paino (sisältäen suodattimet)	15,1 kg
Käyttöjännite	220–240 V, 50/60 Hz, 1,4 A
Virran kulutus (5 tuulettimen nopeutta)	8, 12, 18, 35, 180 wattia
Ilman kulku (5 tuulettimen nopeutta)	260, 316, 381, 476, 748 CFM
Desibelit	42, 44, 51, 53, 68 dB
Näyttö	Kapasitiivinen kosketusnäyttö, vain sisäinen käyttö
Sensorit	EnviroSmart <sup>™</sup>
Sensorien ohjaamat toimintatilat	Kaksi perustilaa – normaalitila ja hiljainen tila
Toimitetut suodattimet	2 True HEPA -suodatinta, joissa AeraSafe <sup>™</sup> antimikrobikäsittely, joiden arvioitu käyttöikä on 1 vuosi, ja 2 esisuodatintella varustettua aktiivihiiisuodatinta, joiden arvioitu käyttöikä on 6 kuukautta.
Puhdistusjärjestelmä	High Efficiency Particulate Air (HEPA) -suodatin, jonka nimellisteho on 99,97 % ilmassa olevista pienhiukkasista 0,3 mikronin tarkkuudella. Hiiisuodatin adsorboi hajuja ja haittuvia orgaanisia yhdisteitä, PlasmaTRUE <sup>™</sup> bipolaarinen ionisaattori.

## VAIHTOSUODATTIMET

2" HEPA	True HEPA -vaihtosuodatin, jossa AeraSafe <sup>™</sup> -käsittely. Suodattimen keskimääräinen käyttöikä 12–18 kuukautta: 9416602 - 2 kpl
3/8" hiili	Rakeinen aktiivihiiilivaihtosuodatin, jossa esisuodatin. Suodattimen keskimääräinen käyttöikä 6 kuukautta: 9416502 - 4 kpl
2" hiili	Rakeinen aktiivihiiilivaihtosuodatin. Suodattimen keskimääräinen käyttöikä 2 vuotta: 9436802 - 2 kpl
2" hybridi 1"	True HEPA- ja 1"-hiilisuodatin, jossa hybridivaihtosuodatin esisuodatuksella. Suodattimen keskimääräinen käyttöikä 1 vuosi: 9436902 - 2 kpl

Lisätietoja vaihtosuodattimista ja lisävarusteista saat osoitteesta: [www.aeramaxpro.com](http://www.aeramaxpro.com)

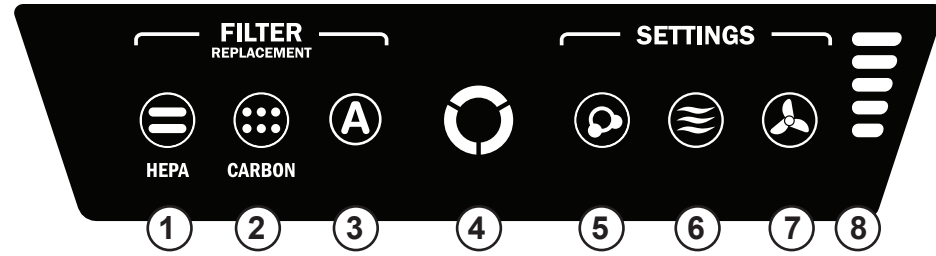
## TIETOA KÄYTTÄJÄLLE

Tämä tuote on testattu, ja se noudattaa digitaalisten laitteiden Luokan B rajoja Federal Communications Commission (FCC) -viraston sääntöjen osan 15 mukaan. Nämä rajat on suunniteltu antamaan asennuksessa kohtuullinen suoja haitallista häiriötä vastaan. Tämä laite tuottaa, käyttää ja voi säteillä radiotaajuista energiaa ja jos sitä ei asenneta ja käytetä ohjeiden mukaisesti, se voi aiheuttaa häiriöitä radioliikenteelle. Ei ole kuitenkaan mitään takeita siitä, että häiriöitä ei esiinny tietyssä asennuksessa. Jos tämä laite aiheuttaa häiriöitä radio- tai televisiolähetysten vastaanottoon, mikä voidaan todeta kytkemällä laite pois päältä ja takaisin päälle, käyttäjä voi yrittää korjata häiriöt yhdellä tai useammalla seuraavista toimenpiteistä:

- Suuntaa vastaanottava antenni uudelleen tai asenna se eri kohtaan.
- Vie vastaanotin kauemmas laitteesta.
- Kytke laite eri piirissä kuin mihin vastaanotin on kytketty.
- Kysy neuvoa jälleenmyyjältä tai kokeneelta radio- tai TV-asentajalta.

**VAROITUS:** Kaikki muutokset, joita valmistaja ei nimenomaisesti ole hyväksynyt, voivat kumota käyttäjän oikeuden käyttää tätä laitetta sekä takuun.





**HUOMIO:** kun laite kytketään päälle, IL-valo vilkkuu muutaman minuutin ajan, kun järjestelmä kalibroitu.

- HEPA-SUODATTIMEN VAIHDON MERKKIVALO** – Tämän merkkivalon tilan näkee, kun huoltoluukku on auki tai kiinni. Punainen valo tarkoittaa, että suodatin täytyy vaihtaa. Vaihtoväli riippuu käytettävästä suodattimesta, käyttötunneista, ilman laadusta ja ilmavirtauksen nopeudesta. Suodattimien vaihdon merkkivalojen kuvaukset näet osiosta **SUODATTIMEN VAIHDON MERKKIVALOT**.
- HIILISUODATTIMEN VAIHDON MERKKIVALO** – Tämän merkkivalon tilan näkee, kun huoltoluukku on auki tai kiinni. Punainen valo tarkoittaa, että suodatin täytyy vaihtaa. Vaihtoväli riippuu käytettävästä suodattimesta, käyttötunneista, ilman laadusta ja ilmavirtauksen nopeudesta. Suodattimien vaihdon merkkivalojen kuvaukset näet osiosta **SUODATTIMEN VAIHDON MERKKIVALOT**.
- LISÄVARUSTEIDEN MERKKIVALO** – Tämän merkkivalon tilan näkee, kun huoltoluukku on auki tai kiinni. Tätä merkkivaloa käytetään vain, jos yksikköön on asennettu lisäsuodatin. Punainen valo tarkoittaa, että suodatin täytyy vaihtaa. Vaihtoväli riippuu käytettävästä suodattimesta, käyttötunneista, ilman laadusta ja ilmavirtauksen nopeudesta. Suodattimien vaihdon merkkivalojen kuvaukset näet osiosta **SUODATTIMEN VAIHDON MERKKIVALOT**.
- ILMANLAADUN SENSORI** – Tämän merkkivalon tilan näkee, kun huoltoluukku on auki tai kiinni. Tämä merkkivalo seuraa ilmanlaatua ja säätää tuulettimen nopeutta pitääkseen ilman puhtaana. Sininen, oranssi ja punainen valo ilmaisevat ilman puhtauden.

- PlasmaTRUE™-TEKNOLOGIA** – Tämän merkkivalon tilan näkee, kun huoltoluukku on auki tai kiinni. Luo ionisoidun kentän, joka auttaa poistamaan ilman epäpuhtauksia turvallisesti. Voit kääntää PlasmaTRUE™-TEKNOLOGIAN päälle ja pois päältä painamalla PLASMA-painiketta. Kun PlasmaTRUE™-TEKNOLOGIA on käytössä, palaa sininen valo. Poista PlasmaTRUE™-TEKNOLOGIA käytöstä painamalla "Plasma"-painiketta, kunnes valo sammuu.
- AUTOMAATTINEN TILA** – Valitse pitämällä painike alas painettuna, kunnes kuvakkeeseen sytty valo. Tämä tila käyttää EnviroSmart™-teknologiaa tarkkaillakseen ilmanlaatua, liikettä ja äänentasoa ja säätää sitten tuulettimen nopeutta puhdistaa ilman mahdollisimman nopeasti. Tässä painikkeessa on myös HILJAINEN TILA. Valitse pitämällä painike alas painettuna, kunnes painike muuttuu violetiksi. Laite jatkaa EnviroSmart™-teknologian käyttämistä hyödyntäen viidestä tuulettimen nopeudesta vain kolmea alhaisinta ja hiljaisinta.
- MANUAALINEN TILA** – Valitse painamalla painiketta, kunnes kuvakkeeseen sytty valo. Tässä tilassa voit valita yhden viidestä tuulettimen nopeudesta ja säilyttää tämän nopeuden, kunnes AUTOMAATTINEN TILA valitaan uudelleen. Sisäiset sensorit eivät säädä tuulettimen nopeutta tässä tilassa.
- TUULETTIMEN NOPEUDEN ILMAISIMET** – Tuulettimessa on viisi nopeusasetusta ja laite voi puhdistaa huoneen turbonopeudella, jos huoneessa on paljon pienhiukkasia. Valaistujen palkkien määrä ilmaisee tuulettimen nopeuden.

- |               |            |
|---------------|------------|
| 1 – kuiskaus  | 4 – korkea |
| 2 – alhainen  | 5 – turbo  |
| 3 – keskitaso |            |

## KÄYTTÖ

Ilmanpuhdistin toimii jatkuvasti automaattisessa tilassa; käyttäjä voi valita, mitä asetuksia hän haluaa laitteen käyttävän riippuen sijainnista tai ilmanpuhdistimen halutusta toiminnasta. Puhdistin toimii minimoidulla nopeusalueella, eikä se ylitä valittua enimmäistasoa. Näin se voi toimia hiljaisesti, mutta silti puhdistaa huoneen pienhiukkasista. Kun ilma on puhdasta eikä mitään sensoreita ole päällä, yksikkö menee virransäästötilaan, mikä säästää virtaa ja pidentää suodattimien käyttöikää.

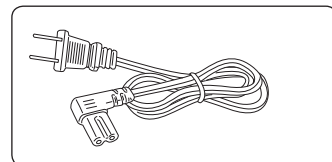
Kun automaattinen tila on valittu, automaattisen tilan merkkivalo palaa sinisenä. Tämä tila käyttää EnviroSmart™-teknologiaa tarkkaillakseen ilmanlaatua, liikettä ja äänentasoa ja säätää sitten tuulettimen nopeutta puhdistaa ilman mahdollisimman nopeasti. Kun ilma on puhdasta eikä mitään sensoreita ole päällä, yksikkö menee virransäästötilaan, mikä säästää virtaa ja pidentää suodattimien käyttöikää.

Laite jatkaa EnviroSmart™-teknologian käyttämistä hyödyntäen viidestä tuulettimen nopeudesta vain kolmea alhaisinta ja hiljaisinta.

Kun manuaalinen tila on valittu, manuaalisen tilan merkkivalo palaa sinisenä. Tässä tilassa voit valita yhden viidestä tuulettimen nopeudesta ja säilyttää tämän nopeuden, kunnes automaattinen tila valitaan. EnviroSmart™-sensorit EIVÄT säädä tuulettimen nopeutta tässä tilassa.

## ASENNUS

- Avaa laite painamalla sen molemmilla puolilla olevia salpoja.
- Poista pussi suodattimesta / pussit suodattimista ja aseta laitteeseen.
- Työnnä IEC-pistoke laitteen takaosassa olevaan virtajohdon liittimeen.



## KUNNOSSAPITO JA HUOLTO

### PUHDISTUS:

- Puhdista ulkokotelo tarvittaessa pyyhkimällä kuivalla, pehmeällä rätillä ja poista tahrat lämpimällä, kostealla rätillä.
- Älä käytä haihtuvia nesteitä, kuten bentseeniä, ohenteita, hankausjauhetta tai muita puhdistusaineita, jotka voivat vahingoittaa laitteen pintaa.
- Puhdista ilmanotto- ja poistoaukot pyyhkimällä kuivalla, pehmeällä rätillä.

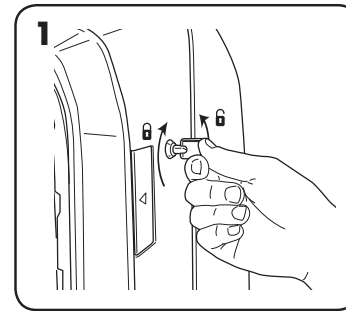
### SUODATTIMEN VAIHDON MERKKIVALOT:

Suodattimen vaihdon merkkivalot ilmoittavat, kun HEPA-suodatin tai hiili- ja esisuodatin tulee vaihtaa. Vaihtoväli riippuu käyttötunneista, ilman laadusta ja ilmavirtauksen nopeudesta. Normaalkäytössä suurin osa HEPA-suodattimista tulee vaihtaa kahden vuoden välein ja hiilisuodatin ja esisuodatin kuuden kuukauden välein. Kun suodatin on vaihdettava, HEPA, HIILI tai LISÄVARUSTE -kohtaan ilmestyy seuraavan värinen merkkivalo.

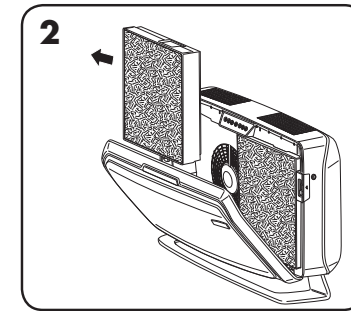
- Punainen valo vilkkuu = OIKEA suodatin 90 % täynnä
- Oranssi valo vilkkuu = VASEN suodatin 90 % täynnä
- Punainen valo vilkkuu, tauko, oranssi valo vilkkuu, tauko = OIKEA ja VASEN suodatin 90 % täynnä
- Punainen = Vaihda OIKEA suodatin
- Oranssi = Vaihda VASEN suodatin
- Punainen ja oranssi vuorottelevat = Vaihda vasen ja oikea suodatin

Älä pese ja käytä uudelleen mitään suodattimia – ne eivät toimi tehokkaasti. Käytä vain AeraMax® PRO -merkkisiä vaihtosuodattimia, sillä yksiköt eivät toimi muita vaihtosuodattimia käytettäessä.

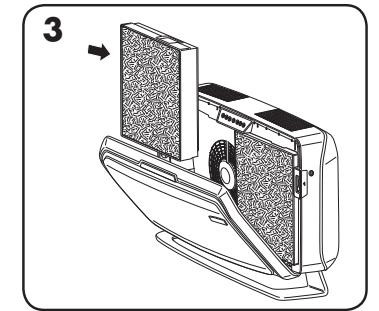
### OHJEET SUODATTIMEN VAIHTAMISEEN:



Avaa huoltopaneeli: avaa lukitus kääntämällä laitteen mukana toimitettavaa avainta ¼ kierros vastapäivään.



Avaa huoltopaneeli painamalla yksikön molemmissa sivuissa olevia salpoja. Anna paneelin avautua kokonaan. Poista vaihdettavat suodattimet.



Poista pakkausmateriaali uusista suodattimista ja asenna uudet suodattimet paikoilleen.

### SUODATTIMEN VAIHTAMINEN:

Laite tunnistaa automaattisesti suodattimen tyyppin, kun asennat uuden suodattimen, mutta käyttäjä joutuu manuaalisesti nollamaan suodattimen vaihdon merkkivalot. Nollaa vilkkuva suodattimen vaihdon merkkivalo seuraavasti:

- Paina palavan merkkivalon painiketta kolmen sekunnin ajan, kunnes kuulet piippauksen ja merkkivalo vilkkuu vihreänä.
- Lopeta painikkeen painaminen.
- Paina merkkivalon painiketta kolmen sekunnin ajan, kunnes kuulet piippauksen ja merkkivalo sammuu.

**Huomautus:** Jos et suorita vaihetta kolme 10 sekunnin kuluessa vaiheen yksi jälkeen, merkkivalo ei nollaudu.

## VIANMÄÄRITYS

ONGELMA:	MAHDOLLINEN RATKAISU:
Ilmanlaadun hallintajärjestelmä ei käynnisty.	<ul style="list-style-type: none"> <li>Varmista, että yksikkö on kytketty virtalähteeseen.</li> <li>Varmista, että suodattimet ovat aitoja AeraMax® PRO -suodattimia, sillä yksikkö ei toimi muiden merkkien kanssa. TÄRKEÄÄ: Varmista, että aidon AeraMax® PRO -vaihtosuodattimen tunnistusalue on samalla kohdalla kuin kehyksen havaintoaukko.</li> <li>Katso lisätietoja osiosta "Suodattimien uudelleenasetus".</li> <li>Varmista, että etuhuoltopaneeli on kokonaan suljettu.</li> <li>Varmista, että virta on kytketty päälle.</li> </ul>
Yksiköstä kuuluu hiljainen tikittävä ääni.	<ul style="list-style-type: none"> <li>Tämä tarkoittaa, että bipolaarinen PlasmaTRUE™-ionisaattori toimii.</li> </ul>
HEPA-suodattimen tai hiilisuodattimen vaihdon merkkivalo palaa, vaikka suodatin tai suodattimet on vaihdettu.	<ul style="list-style-type: none"> <li>Toista suodattimen valon nollaus.</li> </ul>

\*Besøk [www.aeramaxpro.com](http://www.aeramaxpro.com) for en kopi av bruksanvisningen

## SIKKERHETSINSTRUKSJONER/ADVARSEL

Takk for at du kjøpte AeraMax® PRO AM IVS.

Vennligst les og ta vare på disse instruksjonene. Les nøye før du forsøker å montere, installere, bruke eller vedlikeholde dette produktet. Beskytt deg selv og andre ved å følge alt i sikkerhetsinformasjonen. Dersom du unnlater å overholde disse instruksjonene kan det resultere i personskade og/eller materiell skade. Ta vare på instruksjonene for fremtidig referanse.

### VIKTIGE FORHOLDSREGLER OG INSTRUKSJONER FOR Å BRUKE LUFTRENSEREN:

**ADVARSEL:** Følg instruksjonene i denne manualen for å redusere risiko for elektrisk støt, kortslutning og/eller brann:

- Ikke bruk denne luftrenseren som eneste beskyttelse mot skadelige forurensninger.
- Bare bruk denne enheten som tilsiktet av produsenten. Kontakt produsenten dersom du har spørsmål.
- Enheden skal ikke repareres eller modifiseres med mindre det anbefales spesifikt i denne håndboken. Alle reparasjoner skal utføres av en kvalifisert tekniker.
- Støpselet for denne enheten er polarisert med ett blad bredere enn det andre. Ikke tving støpselet inn i en stikkontakt.
- Støpselet må ikke modifiseres på noen måte. Hvis støpselet ikke passer inn i stikkontakten, må støpselet reverseres. Hvis det fortsatt ikke passer, må du kontakte en kvalifisert tekniker for å installere en korrekt type stikkontakt.
- Må ikke brukes hvis strømledningen eller støpselet er skadet, eller hvis tilkoblingen til stikkontakten er løs.
- Strømledningen må ikke skades, knekkes, bøyes kraftig, trekkes i, vris, bantes sammen, tildekkes eller klemmes, og tunge gjenstander må ikke plasseres oppå den.
- Fjern støv fra støpselet regelmessig. Dette reduserer faren for oppsamling av fukt, noe som igjen øker faren for elektrisk støt.
- Hvis støpselet er skadet må det skiftes ut av produsenten eller en kvalifisert tekniker.
- Støpselet må tas ut av stikkontakten før rengjøring av enheten. Hold i selve støpselet når det skal trekkes ut av stikkontakten. Trekk aldri i ledningen.
- Ta støpselet ut av stikkontakten når enheten ikke er i bruk.
- Ikke ta i støpselet med våte hender.
- Ikke legg strømledningen under et gulvteppe eller dekk den til med en gulvmatte.
- AeraMax® PRO systemet for luftkvalitetskontroll skal kobles til en jordet stikkontakt.
- Før du vedlikeholder eller rengjør enheten må du slå av strømmen på servicepanelet. Lås servicepanelet, eller fest en advarselstikett, for å forhindre at strømmen blir slått på igjen ved et uhell.
- Bare bruk den elektriske spenningen (volt og frekvens) som er spesifisert for luftrensermodellen som blir installert.
- Ikke blokker luftrenserens luftinntak eller -utløp.
- Ikke bruk enheten uten installerte filtre.
- Ikke vask og gjenbruk noen av filterne.
- Ikke bruk fester eller filtre utenom merkevaren AeraMax® PRO, ettersom enheten ikke vil fungere.
- Ikke spray aerosol på eller i enheten.
- Ikke bruk vaskemiddel for å rengjøre enheten.
- Ikke før fingrer, væske eller fremmede objekter inn i luftinntaket eller -utløpet.
- Ikke bruk enheten til noe annet enn luftrensing.
- Dersom strømledningen blir skadet, må den byttes av produsenten, produsentens serviceverksted eller tilsvarende kvalifiserte personer for å unngå fare.
- Barn bør overvåkes for å sikre at de ikke leker med apparatet.
- Dit apparat kan worden gebruikt door kinderen van 8 jaar of ouder en door personen met verminderde lichamelijke, zintuiglijke of geestelijke capaciteiten of met een gebrek aan kennis en ervaring, mits dit gebeurt onder toezicht of na instructie met betrekking tot het veilige gebruik van het apparaat en indien de betrokkene begripen welke risico's hieraan verbonden zijn. Kinderen mogen niet met het apparaat spelen. Reiniging en onderhoud door de gebruiker mag alleen door kinderen worden uitgevoerd als een volwassene hierop toezicht houdt.

## BEGRENSET PRODUKTGARANTI

Begrenset garanti: Fellowes, Inc. («Fellowes») garanterer at AeraMax® PRO luftkvalitet kontrollsystem («Produktet») er fri for defekter i materiale og utførelse for den tidsperioden som er angitt nedenfor.

- Kun for PC-enheter: Partikkeltellerne og skjermbildet for en periode på tre (3) år fra datoen for det opprinnelige kjøpet av Produktet.
- For standard og PC-enheter: Alle andre deler for en periode på fem (5) år fra datoen for det opprinnelige kjøpet av Produktet. Dersom produktet blir installert i en ny konstruksjon, skal garantiperioden starte samtidig som brukstillatelsen, eller ett år etter kjøpsdatoen, det som skjer først. Hvis det skulle oppstå defekter på noen del i garantiperioden, vil den eneste og eksklusive godtgjørelsen være reparasjon eller utskifting av denne, etter Fellowes valg og for selskapets regning. Denne garantien dekker ikke skade forårsaket av filtre som ikke er godkjent av Fellowes eller unnlattelse av å følge den anbefalte tidsrammen for bytte. Denne garantien er ikke gyldig ved misbruk, håndtering på feil måte, hvis bruksstandardene for produktet ikke er fulgt, hvis det er brukt feil strømtilførsel (som ikke er oppført på etiketten) eller ikke-autoriserte reparasjoner. Fellowes forbeholder seg retten til å belaste kunden for eventuelle ekstrakostnader som Fellowes påløper for å skaffe deler eller tjenester utenfor landet der produktet opprinnelig ble solgt av en autorisert forhandler. Denne garantien dekker ikke filtre som kan byttes ut. Dersom produktet ikke er lett tilgjengelig for Fellowes' eget servicepersonell, forbeholder Fellowes seg retten til å tilby kunden erstatningsdeler eller hele produktet i overensstemmelse med sine forpliktelser under denne garantien og alle serviceforpliktelser. ENHVER UNDERFORSTÅTT GARANTI, INKLUDERT DET SOM MÅTTE GJELDE SALGBARHET ELLER EGNETHET FOR ET BESTEMT FORMÅL, ER HERVED BEGRENSET TIL VARIGHETEN AV DEN AKTUELLE GARANTIPERIODEN SOM ER ANGITT OVENFOR. Ikke i noen tilfeller skal Fellowes holdes ansvarlig for noen følge-, tilfeldige, indirekte eller spesielle skader. Denne garantien gir deg visse juridiske rettigheter. Varigheten, vilkårene og betingelsene i denne garantien er gyldige over hele verden, bortsett fra der lokale lover påbyr andre begrensninger, restriksjoner eller vilkår.

## PAKKENS INNHOLD

- AeraMax® PRO system for luftkvalitetskontroll
- True HEPA-filte med AeraSafe™ antimikrobiell behandling (2 filtre)
- Aktivt karbonfilter med forfilter (2 av hvert filter)
- Nøkkel for å låse frontpanelet (2)
- Registreringsinformasjon

## PRODUKTSPEKIFIKASJONER

AeraMax® PRO AM IVS	
Mål (H x B x D)	49,7 x 88,1 x 22,8 cm
Systemets vekt (inkludert filtre)	15,1 kg
Energibehov	220-240 V, 50/60 Hz, 1,4 A
Energiforbruk (5 viftehastigheter)	8, 12, 18, 35, 180 watt
Luftgjennomstrømning (5 viftehastigheter)	260, 316, 381, 476, 748 CFM
Desibel	42, 44, 51, 53, 68 dB
Skjerm	Kapazitiv berøringsskjerm, bare intern tilgang
Sensorer	EnviroSmart™
Sensorkontrollerte driftsmoduser	2 primærmoduser – Normalmodus og stillemodus
Leverte filtre	2 True HEPA-filte med AeraSafe™ antimikrobiell behandling med en forventet gjennomsnittlig filterlevetid 1 år, 2 aktive karbonfilter med forfilter, forventet gjennomsnittlig filterlevetid 6 måneder.
Rengjøringsystem	HEPA-filte (high efficiency particulate air) med en effektivitet vurdert til 99,97 % for luftbårne partikler på 0,3 mikron. Karbonfilter adsorberer lukt og flyktige organiske forbindelser, PlasmaTRUE™ bipolar ionisator.

## RESERVEFILTRE

2" HEPA	True HEPA reservefilter med AeraSafe™ behandling. Gjennomsnittlig filterlevetid 12–18 måneder: 9416602 – 2-pakk
3/8" Karbon	Reservefilter med aktive karbonkorn, med forfilter. Gjennomsnittlig filterlevetid 6 måneder: 9416502 – 4-pakk
2" Karbon	Granulæraktivert karbonerstatningsfilter. Gjennomsnittlig filterlevetid 2 år: 9436802 – 2-pakk
2" Hybrid 1"	True HEPA og 1" Karbon med forhåndsfiltrert hybriderstatningsfilter. Gjennomsnittlig filterlevetid 1 år: 9436902 – 2-pakk

Vennligst besøk [www.aeramaxpro.com](http://www.aeramaxpro.com) for informasjon om reservefilter og tilbehør

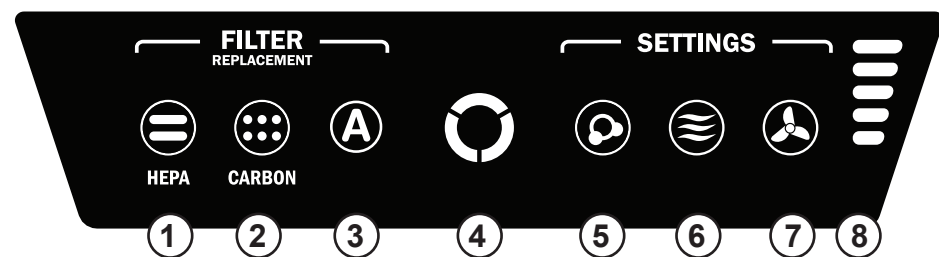
## INFORMASJON TIL BRUKEREN

Dette utstyret er testet og fastslått å være i samsvar med grensene satt for en digital enhet i klasse B i henhold til del 15 i FCC-forskriftene. Disse begrensningene er satt for å gi rimelig beskyttelse mot skadelig interferens ved en installasjon. Dette utstyret genererer, bruker og kan utstråle radiofrekvensenergi, og hvis det ikke installeres og brukes i henhold til instruksjonene, kan det forårsake skadelig interferens på radiokommunikasjon. Dette garanterer imidlertid ikke at interferens ikke kan skje ved en bestemt installasjon. Dersom dette utstyret forårsaker skadelig interferens på radio- eller TV-mottak, noe som kan finnes ut ved å slå utstyret av og på, oppfordres brukeren til å forsøke å rette opp interferensen med ett av de følgende tiltakene:

- Snu eller flytt på mottakerantennen
- Øk avstanden mellom utstyret og mottakeren
- Koble utstyret til en stikkontakt på en annen strømkrets enn den mottakeren er koblet til.
- Ta kontakt med forhandleren eller en erfaren TV-/radiotekniker for å få hjelp.

**ADVARSEL:** Alle endringer eller modifikasjoner som ikke er uttrykkelig godkjent av produsenten kan annullere brukerens rett til å bruke utstyret og garantien.





**MERK:** Etter at enheten har blitt skrudd på, vil lyset «AQ» blinke i noen minutter mens systemet kalibrerer seg selv.

- 1 **INDIKATOR FOR BYTTE AV HEPA-FILTER** — Denne indikatoren viser statusen sin når frontluken er åpen eller lukket. Dersom lyset er rødt, indikerer det at filteret må byttes. Perioden mellom hvert bytte varierer avhengig av filteret som blir brukt, brukstimer, luftkvalitet og hastigheten på luftstrømmen. For beskrivelse av indikator for bytte av filter, se delen **INDIKATORER FOR BYTTE AV FILTER**.
- 2 **INDIKATOR FOR BYTTE AV KARBONFILTER** — Denne indikatoren viser statusen sin når frontluken er åpen eller lukket. Dersom lyset er rødt, indikerer det at filteret må byttes. Perioden mellom hvert bytte varierer avhengig av filteret som blir brukt, brukstimer, luftkvalitet og hastigheten på luftstrømmen. For beskrivelse av indikator for bytte av filter, se delen **INDIKATORER FOR BYTTE AV FILTER**.
- 3 **TILBEHØRSINDIKATOR** — Denne indikatoren viser statusen sin når frontluken er åpen eller lukket. Denne indikatoren vil bare bli brukt dersom et tilbehørsfilter er installert i enheten. Dersom lyset er rødt, indikerer det at filteret må byttes. Perioden mellom hvert bytte varierer avhengig av filteret som blir brukt, brukstimer, luftkvalitet og hastigheten på luftstrømmen. For beskrivelse av indikator for bytte av filter, se delen **INDIKATORER FOR BYTTE AV FILTER**.
- 4 **LUFTKVALITETSSENSOR** — Denne indikatoren viser statusen sin når frontluken er åpen eller lukket. Denne indikatoren overvåker luftkvaliteten og justerer viftehastigheten for å holde luften din ren. Blå, gule og røde lys indikerer renheten i luften din.
 

1 – sus	4 – høy
2 – lav	5 – turbo
3 – middels	
- 5 **PlasmaTRUE™ TECHNOLOGY** — Denne indikatoren viser statusen sin når frontluken er åpen eller lukket. Lager et ionisert felt for å bidra til å fjerne luftforurensninger på en trygg måte. For å skru av og på PlasmaTRUE™ TECHNOLOGY, berører du og holder nede PLASMA-indikatoren. Et blått lys lyser opp når PlasmaTRUE™ TECHNOLOGY blir aktivert. For å deaktivere PlasmaTRUE™ TECHNOLOGY, trykker du ned og holder indikatoren «Plasma» til lyset blir avslått.
- 6 **AUTO-MODUS** — Velges ved å trykke og holde knappen til ikonet begynner å lyse. Denne modusen bruker EnviroSmart™-teknologi som overvåker luftkvalitet, bevegelse og lydnivå for å tilpasse viftehastigheten for å rense så raskt som mulig. Denne knappen brukes også til STILLE MODUS. For å velge, trykk inn og hold inntil knappen blir lilla. Maskinen vil fortsette å bruke EnviroSmart™, men bruker kun de 3 laveste og stilleste av de 5 viftehastighetene.
- 7 **MANUELL MODUS** — Velges ved å trykke knappen til ikonet begynner å lyse. Denne modusen lar deg velge én av 5 viftehastigheter og holde apparatet på denne hastigheten til AUTOMODUS velges igjen. De interne sensorene vil ikke justere viftehastigheten i denne modusen.
- 8 **INDIKATORER FOR VIFTEHASTIGHET** — Viften har 5 hastigheter og kan nå turbobastighet for å rense rommet i tilfelle høye nivåer av forurensning. Antall opplyste streker viser viftehastigheten.
 

1 – sus	4 – høy
2 – lav	5 – turbo
3 – middels	

## BRUK

Luftrenseren arbeider kontinuerlig i automatisk modus. Brukeren kan velge hvilken preferanse han/hun ønsker at luftrenseren skal bruke basert på sted og ønsket bruk av luftrenseren. Luftrenseren vil bruke et mindre utvalg av hastigheter, og ikke overstige maksimalt valgt nivå for å kjøre stille når den renser rommet for forurensede stoffer. Når luften er renset, og ingen sensorer er aktivert, vil enheten gå i sparemodus for å redusere energibruk og forlenge filterenes levetid.

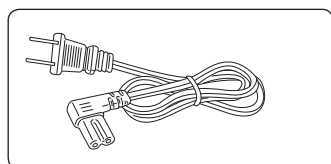
Når automodus er valgt, vil indikatoren for automatisk modus lyse blått. Denne modusen bruker EnviroSmart™-teknologi som overvåker luftkvalitet, bevegelse og lydnivå for å tilpasse viftehastigheten for å rense så raskt som mulig. Når luften er renset, og ingen sensorer er aktivert, vil enheten gå i sparemodus for å redusere energibruk og forlenge filterenes levetid.

Maskinen vil fortsette å bruke EnviroSmart™, men bruker kun de 3 laveste og mest stille av de 5 viftehastighetene.

Når manuell modus er valgt, vil indikatoren for manuell modus lyse blått. Denne modusen lar deg velge én av 5 viftehastigheter og holde apparatet på denne hastigheten til automatisk modus velges igjen. EnviroSmart™-sensorene vil IKKE justere viftehastigheten i denne modusen.

## OPPSETT

1. Åpne enheten ved å trykke på låseklemmene på begge sider.
2. Fjern posen(e) fra filter(ne) og plasser tilbake i enheten.
3. Sett IEC-pluggen i strømkontakten på baksiden av enheten.



## VEDLIKEHOLD OG REPARASJON

### RENGJØRING:

- Rengjør det ytre dekelet som nødvendig ved å tørke med en tørr, myk klut. For flekker kan du bruke en varm, fuktig klut.
- Ikke bruk flyktige væsker slik som benzen, tynner, skurepulver eller andre rengjøringsmidler som kan skade enhetens overflate.
- Rengjør inntaket og utblåsningsåpningene ved å tørke med en tørr, myk klut.

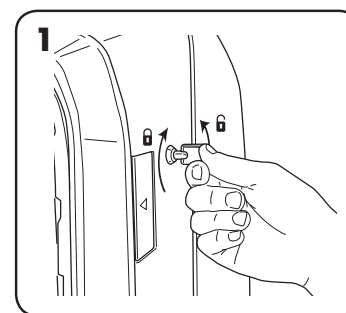
### INDIKATORER FOR FILTERBYTTE:

Indikatorerne for bytte av filter vil gi signal når du skal bytte HEPA- og/eller karbonfilter med forfilter. Perioden mellom hvert bytte varierer avhengig av brukstimer, luftkvalitet og hastigheten på luftstrømmen. Men under vanlig bruk trenger de fleste HEPA-filtre å bli byttet hvert 2. år, og karbonfiltre med forfilter hver 6. måned. Når et filter må byttes, vil følgende farger vises på en av indikatorene for filterbytte for HEPA, KARBON, eller TILBEHØR:

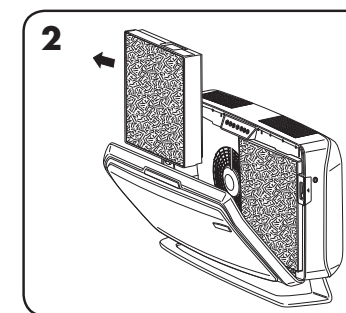
- Rød blinking = HØYRE filter 90 % fullt
- Gul blinking = VENSTRE filter 90% fullt
- Rødt blink, pause, gult blink, pause = Høyre og VENSTRE filtre 90 % fullt
- Rød = Bytt HØYRE filter
- Gul = Bytt VENSTRE filter
- Rød og gul veksler = Bytt høyre og venstre filtre

Ikke vask eller bruk noen av filterene på nytt – de vil ikke virke like effektivt. Bare bruk reservefiltre av merket AeraMax® PRO ettersom enhetene ikke vil fungere med andre erstatninger.

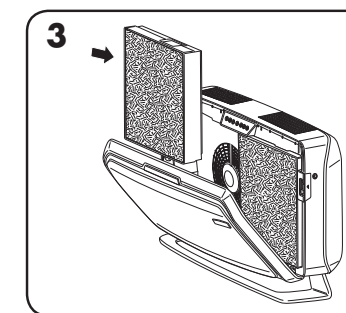
### FREMANGSMÅTE VED BYTTE AV FILTER:



Lås opp frontpanelet: For å låse opp, sett inn den tilhørende nøkkelen og roter ¼ omdreining mot klokken.



Åpne frontpanelet ved å trykke inn låsemekanismene på hver side av enheten. La panelet åpne seg helt opp. Fjern filterene som skal byttes.



Fjern all emballasje fra de nye filterene, og installer filterene på nytt.

### FILTERBYTTE:

Når du installerer et nytt filter vil enheten automatisk oppdage filtertypen, men brukeren må tilbakestille indikatorene for bytte av filter manuelt. For å tilbakestille den blinkende indikatoren for bytte av filter, kan du bruke følgende fremgangsmåte:

- 1 Berør og hold nede den opplyste indikatoren i tre sekunder til du hører et pip, og indikatoren blinker grønt.
- 2 Slipp indikatoren.
- 3 Berør og hold nede indikatoren i tre sekunder til du hører et pip og indikatorlyset skrur seg av.

**Merk:** Dersom du ikke utfører steg tre innen 10 sekunder etter du fullførte steg én, blir indikatorlyset ikke tilbakestilt.

### FEILSØKING

PROBLEM:	MULIG LØSNING:
Systemet for luftkvalitetskontroll starter ikke.	<ul style="list-style-type: none"> <li>• Forsikre deg om at enheten er koblet til en strømforsyning.</li> <li>• Forsikre deg om at filterene er genuine AeraMax® PRO-filtre, ettersom enheten ikke fungerer med andre merker. VIKTIG: Forsikre deg om at filterovervåkingområdet på det genuine reservefilteret for AeraMax® PRO er tilpasset vinduet i filterrammen.</li> <li>• Se gjennom delen «Installere filtre på nytt» for flere detaljer.</li> <li>• Forsikre deg om at frontpanelet er helt lukket.</li> <li>• Forsikre deg om at strømbryteren er slått på.</li> </ul>
Enheten lager en svak tikkelyd.	<ul style="list-style-type: none"> <li>• Dette indikerer at «PlasmaTRUE™» bipolar ionisator virker.</li> </ul>
Lyset til indikator for bytte av HEPA- og/eller karbonfilteret fortsetter å lyse etter at du har byttet filterene.	<ul style="list-style-type: none"> <li>• Gjenta instruksjonene for å tilbakestille filterlysene.</li> </ul>

\*W celu uzyskania kopii instrukcji odwiedź witrynę [www.aeramaxpro.com](http://www.aeramaxpro.com)

## INSTRUKCJE BEZPIECZEŃSTWA / OSTRZEŻENIE

Dziękujemy za zakup urządzenia AeraMax® PRO AM IVS.

Należy przeczytać i zachować niniejsze instrukcje. Należy uważnie zapoznać się z treścią instrukcji przed przystąpieniem do montażu, instalacji, obsługi i konserwacji produktu. Należy zadbać o bezpieczeństwo własne i innych przestrzegając wszelkich zasad bezpieczeństwa. Nieprzestrzeganie tych instrukcji może powodować obrażenia ciała i/lub uszkodzenie mienia. Zachować instrukcje do wglądu.

### WAŻNE OSTRZEŻENIA I INSTRUKCJE DOTYCZĄCE OBSŁUGI OCZYSZCZACZA POWIETRZA:

**OSTRZEŻENIE!** Należy postępować zgodnie z zaleceniami w tej instrukcji, aby zmniejszyć ryzyko porażenia prądem elektrycznym, zwarcia i (lub) pożaru:

- Nie używać oczyszczacza powietrza jako jedyne środka zapobiegawczego przeciw szkodliwym zanieczyszczeniom.
- Korzystać z urządzenia wyłącznie w sposób określony przez producenta. W przypadku pytań skontaktować się z producentem.
- Nie naprawiać ani nie modyfikować urządzenia, chyba że jest to wyraźnie zalecane w tej instrukcji. Wszystkie naprawy powinny być wykonywane przez wykwalifikowanego elektryka.
- Wtyczka tego urządzenia została spolaryzowana i ma jeden wtyk szerszy. Nie wkładać wtyczki na siłę do gniazdka sieciowego.
- Nie modyfikować wtyczki w żaden sposób. Jeżeli wtyczka nie pasuje do gniazdka, obrócić ją. Jeżeli wtyczka nadal nie pasuje, należy skontaktować się z wykwalifikowanym elektrykiem, który zamontuje właściwe gniazdko.
- Nie należy używać urządzenia, jeśli wtyczka lub przewód zasilający są uszkodzone lub jeśli połączenie z gniazdkiem ściennym jest niestabilne.
- Nie uszkadzać, nie łamać, nie zginać zbyt mocno, nie ciągnąć, nie skręcać, nie zwiijać, nie powlekać, nie zaciskać przewodu zasilającego ani nie umieszczać na nim ciężkich przedmiotów.
- Okresowo usuwać kurz z wtyczki zasilającej. Zmniejszy to ryzyko gromadzenia się wilgoci, która zwiększa ryzyko porażenia prądem.
- Jeśli wtyczka jest uszkodzona, należy ją wymienić. Wymiany może dokonać wyłącznie producent lub wykwalifikowany technik.
- Przed czyszczeniem urządzenia wyciągnąć wtyczkę z gniazdka zasilającego. Wyciągając wtyczkę, chwycić ją za uchwyt. Nigdy nie wyciągać wtyczki ciągnąc za przewód.
- Jeśli urządzenie nie jest używane, należy wyciągnąć wtyczkę z gniazdka.
- Nie dotykać wtyczki mokrymi rękami.
- Nie układać kabla zasilającego pod dywanami ani nie przykrywać go nimi.
- AeraMax® PRO System kontroli jakości powietrza musi być uziemiony.
- Przed przystąpieniem do serwisowania lub czyszczenia urządzenia wyłączyć zasilanie na panelu serwisowym. Zamknąć panel serwisowy lub zawiesić znak ostrzegawczy, aby zapobiec przypadkowemu włączeniu.
- Stosować tylko moc elektryczną (napięcie i częstotliwość) określoną dla instalowanego modelu oczyszczacza.
- Nie blokować wlotu i wylotu powietrza oczyszczacza.
- Nie uruchamiać urządzenia bez zainstalowanych filtrów.
- Nie myć i nie używać ponownie filtrów.
- Nie stosować przyłączy i filtrów innych niż marki AeraMax® PRO, ponieważ w takim przypadku urządzenie nie zadziała.
- Nie rozpylać żadnych cieczy na ani do wnętrza urządzenia.
- Do czyszczenia urządzenia nie używać żadnych detergentów.
- Nie wkładać palców, płynów lub innych przedmiotów do wlotu lub wylotu urządzenia.
- Nie używać urządzenia do celów innych niż oczyszczanie powietrza.
- Jeśli kabel zasilający jest uszkodzony, musi zostać wymieniony przez producenta, jego przedstawiciela lub inną wykwalifikowaną osobę w celu uniknięcia zagrożenia.
- Należy zwracać uwagę, aby dzieci nie bawiły się urządzeniem.
- Niniejsze urządzenie jest przeznaczone do użytku przez osoby w wieku od 8. lat oraz osoby o obniżonych możliwościach fizycznych, sensorycznych, umysłowych lub osoby nieposiadające odpowiedniego doświadczenia czy wiedzy, o ile osoby te pozostają pod nadzorem lub zostały przeszkolone w zakresie bezpiecznego użytkowania urządzenia i rozumieją zagrożenia związane z jego użytkowaniem. Dzieci nie powinny bawić się urządzeniem. Dzieci nie powinny czyścić ani konserwować urządzenia bez nadzoru.

### OGRANICZONA GWARANCJA NA PRODUKT

Ograniczona gwarancja: Firma Fellowes, Inc. („Fellowes”) gwarantuje, że system kontroli jakości powietrza AeraMax® PRO („Produkt”) będzie wolny od wad materiałowych i produkcyjnych przez czas podany poniżej.

- Tylko urządzenia PC: na liczniki cząstek i ekran wyświetlacza udziela się gwarancji na okres 3 (słownie: trzech) lat od dnia pierwotnego zakupu Produktu.
- Urządzenia standardowe i urządzenia PC: na wszystkie pozostałe części udziela się gwarancji na okres 5 (słownie: pięciu) lat od dnia pierwotnego zakupu Produktu. W przypadku, gdy produkt został zainstalowany w nowym budynku, okres gwarancji rozpoczyna się od daty pozwolenia na użytkowanie lub po upływie jednego roku od daty zakupu, w zależności od tego, co nastąpi wcześniej. Jeżeli w okresie gwarancji jakkolwiek część urządzenia okaże się uszkodzona, użytkownikowi przysługuje wyłącznie prawo naprawy lub wymiany uszkodzonej części na koszt i zgodnie z decyzją firmy Fellowes. Niniejsza gwarancja nie obejmuje szkód spowodowanych przez zastosowanie filtrów innych niż zatwierdzone przez firmę Fellowes lub niezastosowanie się do zalecanego harmonogramu wymiany filtrów. Niniejsza gwarancja nie obowiązuje w przypadku nieprawidłowego posługiwania się, eksploatacji, niezgodności z normami użytkowania, zastosowania do uruchomienia urządzenia niewłaściwego rodzaju zasilania (innego niż wymienione na etykiecie) lub nieautoryzowanej naprawy. Firma Fellowes zastrzega sobie prawo do obciążania użytkowników wszelkimi dodatkowymi kosztami, które poniesie w związku z koniecznością dostarczenia części zamiennych lub serwisowania Produktu poza krajem zakupu u autoryzowanego sprzedawcy. Niniejsza gwarancja nie obejmuje filtrów zamiennych. W przypadku, gdy Produkt nie jest łatwo dostępny dla wyznaczonych pracowników serwisu firmy Fellowes, firma Fellowes zastrzega sobie prawo do dostarczenia klientowi części zamiennych lub Produktu, w pełni wywiązując się ze swoich zobowiązań wynikających z niniejszej gwarancji i wszelkich zobowiązań serwisowych. WSZELKIE DOROZUMIANE GWARANCJE, ŁĄCZNIE Z GWARANCJĄ ZDATNOŚCI HANDLOWEJ I ZDATNOŚCI DO OKREŚLONEGO UŻYTKU SĄ NINIEJSZYM OGRANICZONE W CZASIE DO PODANEGO POWYŻEJ OKRESU TRWANIA ODPOWIEDNIEJ GWARANCJI. W żadnym przypadku firma Fellowes nie będzie ponosiła odpowiedzialności za szkody wtórne, przypadkowe lub pośrednie, wynikające z użycia niniejszego Produktu. Niniejsza gwarancja daje użytkownikowi konkretne prawa. Czas trwania i warunki niniejszej gwarancji obowiązują na całym świecie, z wyjątkiem sytuacji, gdy lokalne przepisy nakładają inne ograniczenia lub warunki.

## ZAWARTOŚĆ OPAKOWANIA

- AeraMax® PRO System kontroli jakości powietrza
- Filtr True HEPA z systemem przeciwbakteryjnym AeraSafe™ (2 filtry)
- Aktywny filtr węglowy z filtrem wstępnym (po 2 filtry każdego rodzaju)
- Klucze do zamykania panelu przedniego (2)
- Dane rejestracyjne

## DANE TECHNICZNE PRODUKTU

AeraMax® PRO AM IVS	
Wymiary (Wys. x Szer. x Głęb.)	49,7 x 88,1 x 22,8 cm
Masa systemu (włączając filtry)	15,1 kg
Wymagania w zakresie zasilania	220–240 V, 50/60 Hz, 1,4A
Zużycie mocy (5 prędkości wentylatora)	8, 12, 18, 35, 180 watów
Dopływ powietrza (5 prędkości wentylatora)	260, 316, 381, 476, 748 ft³/min
Decybele	42, 44, 51, 53, 68 dB
Wyświetlacz	Pojemnościowy ekran dotykowy, dostęp wewnętrzny
Czujniki	EnviroSmart™
Tryby pracy sterowane za pomocą czujnika	2 tryby główne - Tryb normalny i Tryb cichy
Załączone filtry	2 filtry True HEPA z systemem antibakteryjnym AeraSafe™ o szacowanej żywotności wynoszącej 1 rok, 2 aktywne filtry węglowe z filtrem wstępnym o szacowanej żywotności 6 miesięcy.
Układ oczyszczania	Wysokosprawny filtr do dezynfekcji powietrza (HEPA) o wydajności znamionowej 99.97%, usuwający cząstki zanieczyszczeń o rozmiarze 0,3 mikrona. Filtr węglowy wchłaniający zapachy i lotne związki organiczne, jonizator dwubiegunowy PlasmaTRUE™.

## FILTRY ZAMIENNE

HEPA 2"	Wymiana filtra True HEPA z systemem AeraSafe™. Średnia żywotność filtra wynosi 12–18 miesięcy: 9416602 – 2 sztuki
Carbon 3/8"	Zamienny filtr z granulowanym węglem aktywnym i filtrem wstępnym. Średnia żywotność filtra wynosi 6 miesięcy: 9416502 – 4 sztuki
Carbon 2"	Zamienny filtr z granulowanym węglem aktywnym. Średnia żywotność filtra wynosi 2 lata: 9436802 – 2 sztuki
2" Hybrid 1"	Hybrydowy filtr zamienny True HEPA i Carbon 1" z filtrem wstępnym. Średnia żywotność filtra wynosi 1 rok: 9436902 – 2 sztuki

**W celu uzyskania dodatkowych informacji na temat filtrów zamiennych i akcesoriów zapraszamy do odwiedzenia witryny: [www.aeramaxpro.com](http://www.aeramaxpro.com)**

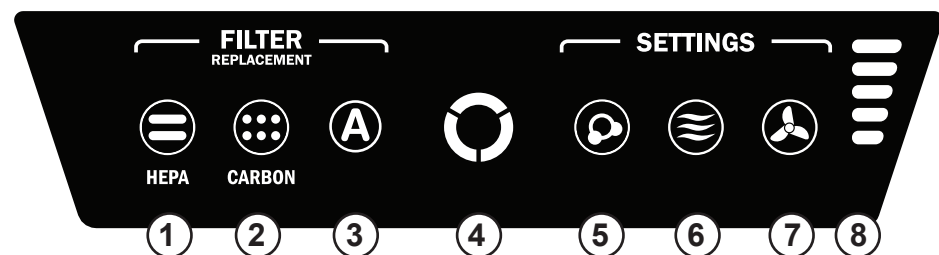
## INFORMACJE DLA UŻYTKOWNIKA

Niniejsze urządzenie zostało przebadane i potwierdzono jego zgodność z wymaganiami dla urządzeń cyfrowych klasy B, zgodnie z częścią 15 przepisów FCC. Niniejsze wymagania mają zapewnić odpowiednią ochronę przed szkodliwymi zakłóceniami w instalacjach. Niniejsze urządzenie wytwarza, stosuje i może emitować promieniowanie w zakresie częstotliwości radiowych. Jeżeli nie będzie zainstalowane i użytkowane zgodnie z instrukcją, może powodować szkodliwe zakłócenia w komunikacji radiowej. Nie ma jednak gwarancji, że zakłócenia nie wystąpią w określonym miejscu montażu. Jeśli urządzenie powoduje szkodliwe zakłócenia odbioru radiowego lub telewizyjnego, co można sprawdzić przez włączenie i wyłączenie urządzenia, użytkownik powinien spróbować skorygować te zakłócenia, stosując jedną lub kilka przedstawionych metod:

- Zmianę orientacji lub położenia anteny odbiornika.
- Zwiększenie odległości między urządzeniem a odbiornikiem.
- Podłączenie urządzenia w innym obwodzie, niż w którym podłączony jest odbiornik.
- Konsultację ze sprzedawcą lub doświadczonym technikiem zajmującym się sprzętem RTV w celu uzyskania pomocy.

**OSTRZEŻENIE!** Zmiany lub modyfikacje nie zatwierdzone w sposób jawny przez producenta mogą spowodować unieważnienie prawa użytkownika do korzystania ze sprzętu.





UWAGA: po włączeniu urządzenia lampka „AQ” będzie migać przez kilka minut informując o samoczynnej kalibracji urządzenia.

- 1 **WSKAŹNIK WYMIANY FILTRA HEPA** – Ten wskaźnik pokazuje status bez względu na to, czy panel dostępu jest otwarty, czy zamknięty. Czerwone światło wskazuje na konieczność wymiany filtra. Okres między wymianą filtrów będzie się różnił w zależności od stosowanego filtra, liczby przetworzonych godzin, jakości powietrza i prędkości przepływu powietrza. W celu zapoznania się z opisami wskaźników filtrów patrz rozdział *WSKAŹNIKI WYMIANY FILTRA*.
- 2 **WSKAŹNIK WYMIANY FILTRA WĘGLOWEGO** – Ten wskaźnik pokazuje status bez względu na to, czy panel dostępu jest otwarty, czy zamknięty. Czerwone światło wskazuje na konieczność wymiany filtra. Okres między wymianą filtrów będzie się różnił w zależności od stosowanego filtra, liczby przetworzonych godzin, jakości powietrza i prędkości przepływu powietrza. W celu zapoznania się z opisami wskaźników filtrów patrz rozdział *WSKAŹNIKI WYMIANY FILTRA*.
- 3 **WSKAŹNIK FILTRA DODATKOWEGO** – Ten wskaźnik pokazuje status bez względu na to, czy panel dostępu jest otwarty, czy zamknięty. Ten wskaźnik jest używany tylko wtedy, gdy filtr dodatkowy jest zainstalowany w urządzeniu. Czerwone światło wskazuje na konieczność wymiany filtra. Okres między wymianą filtrów będzie się różnił w zależności od stosowanego filtra, liczby przetworzonych godzin, jakości powietrza i prędkości przepływu powietrza. W celu zapoznania się z opisami wskaźników filtrów patrz rozdział *WSKAŹNIKI WYMIANY FILTRA*.
- 4 **CZUJNIK JAKOŚCI POWIETRZA** – Ten wskaźnik pokazuje status bez względu na to, czy panel dostępu jest otwarty, czy zamknięty. Monitoruje jakość powietrza i automatycznie reguluje szybkość wentylatora, zapewniając czystość powietrza. Czystość powietrza wskazują niebieskie, bursztynowe i czerwone lampki.
  - 1 – szmer
  - 2 – poziom niski
  - 3 – poziom średni
  - 4 – poziom wysoki
  - 5 – turbo
- 5 **TECHNOLOGIA PlasmaTRUE™** – Ten wskaźnik pokazuje status bez względu na to, czy panel dostępu jest otwarty, czy zamknięty. Tworzy zjonizowane pole, które ułatwia bezpieczne usuwanie zanieczyszczeń powietrza. Aby włączyć lub wyłączyć TECHNOLOGIĘ PlasmaTRUE™, należy dotknąć i przytrzymać wskaźnik PLAZMA. Po uruchomieniu TECHNOLOGII PlasmaTRUE™ pojawia się niebieskie światło. Aby wyłączyć TECHNOLOGIĘ PlasmaTRUE™ należy nacisnąć i przytrzymać wskaźnik „Plazma”, aż światło zgaśnie.
- 6 **TRYB AUTOMATYCZNY** – Aby go wybrać, należy nacisnąć i przytrzymać przycisk, aż ikonka się zaświeci. W trybie tym urządzenie wykorzystuje technologię EnviroSmart™ do monitorowania jakości powietrza, ruchu i poziomu hałasu oraz regulowania prędkości wentylatora na potrzeby jak najszybszego oczyszczenia powietrza. Ten przycisk steruje też TRYBEM CICHYM. Aby go wybrać, należy nacisnąć i przytrzymać przycisk do momentu zmiany jego koloru na fioletowy. Urządzenie nadal będzie wykorzystywać technologię EnviroSmart™, ale jego praca odbywać się będzie w trzech najniższych i najcięższych ustawieniach prędkości wentylatora spośród pięciu dostępnych możliwości.
- 7 **TRYB RĘCZNY** – Aby go wybrać, należy nacisnąć i przytrzymać ten przycisk, aż ikonka się zaświeci. Ten tryb pozwala wybrać jedną z pięciu prędkości wentylatora i utrzymuje tę prędkość do momentu ponownego wybrania opcji TRYB AUTOMATYCZNY. W tym trybie czujniki wewnętrzne nie będą regulować prędkości wentylatora.
- 8 **WSKAŹNIKI PRĘDKOŚCI WENTYLATORA** – Wentylator ma pięć ustawień prędkości i może osiągać prędkość turbo w celu oczyszczenia pomieszczenia o dużym zanieczyszczeniu powietrza. Liczba podświetlonych kresk oznacza prędkość wentylatora.
  - 1 – szmer
  - 2 – poziom niski
  - 3 – poziom średni
  - 4 – poziom wysoki
  - 5 – turbo

## OBSŁUGA

Oczyszczacz powietrza pracuje nieprzerwanie w trybie automatycznym. Użytkownik może wybrać preferencję ustawienia oczyszczacza w zależności od lokalizacji lub żądanego trybu działania. Oczyszczacz będzie pracował w minimalnym zakresie prędkości, nie przekraczając ustawionego poziomu maksymalnego, aby pracować jak najciszej podczas usuwania zanieczyszczeń z pomieszczenia. Po zakończeniu oczyszczania powietrza, kiedy nie następuje aktywacja żadnych czujników, urządzenie przechodzi do trybu oszczędności energii, aby ograniczyć jej zużycie i przedłużyć żywotność filtrów.

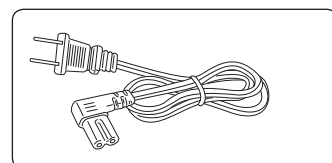
Jeśli wybrano Tryb automatyczny, wskaźnik Trybu automatycznego świeci się na niebiesko. W trybie tym urządzenie wykorzystuje technologię EnviroSmart™ do monitorowania jakości powietrza, ruchu i poziomu hałasu oraz regulowania prędkości wentylatora na potrzeby jak najszybszego oczyszczenia powietrza. Po zakończeniu oczyszczania powietrza, kiedy nie następuje aktywacja żadnych czujników, urządzenie przechodzi do trybu oszczędności energii, aby ograniczyć jej zużycie i przedłużyć żywotność filtrów.

Urządzenie nadal będzie wykorzystywać technologię EnviroSmart™, ale jego praca odbywać się będzie w trzech najniższych i najcięższych ustawieniach prędkości wentylatora spośród pięciu dostępnych możliwości.

Jeśli wybrano Tryb ręczny, wskaźnik Trybu ręcznego świeci się na niebiesko. Ten tryb pozwala wybrać jedną z pięciu prędkości wentylatora i utrzymuje tę prędkość do momentu wybrania Trybu automatycznego. W tym trybie czujniki EnviroSmart™ NIE będą regulować prędkości wentylatora.

## INSTALACJA

1. Otworzyć urządzenie, naciskając zapadki po obu stronach.
2. Wyjąć wkład z każdego filtra i umieścić filtr z powrotem w urządzeniu.
3. Podłączyć wtyk IEC do gniazda przewodu zasilającego na tylnej części urządzenia.



## KONSERWACJA

### CZYSZCZENIE:

- Zewnętrzną część obudowy urządzenia należy czyścić w miarę potrzeb wycierając ją suchą, miękką ściereczką. Uporczywe plamy można usunąć ciepłą, wilgotną ściereczką.
- Nie należy używać łatwo parujących płynów, takich jak benzen, rozcieńczalnik, ani proszku do szorowania, gdyż mogą one uszkodzić powierzchnię urządzenia.
- Czyścić wlot i wylot wycierając suchą, miękką szmatką.

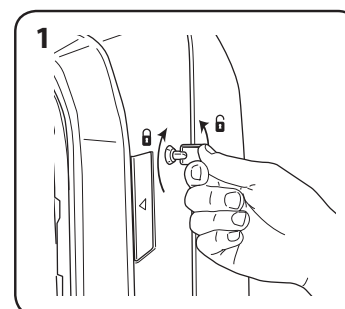
### WSKAŹNIKI WYMIANY FILTRA:

Wskaźniki wymiany filtra poinformują, kiedy należy wymienić filtr HEPA i (lub) filtr węglowy z filtrem wstępnym. Okres między wymianą filtrów będzie się różnił w zależności od liczby przetworzonych godzin, jakości powietrza i prędkości przepływu powietrza. Jednak w trakcie standardowej eksploatacji większość filtrów HEPA wymaga wymiany raz na 2 lata, a filtry węglowe wymagają wymiany co 6 miesięcy. W razie konieczności wymiany filtra na wskaźnikach wymiany filtrów (HEPA, węglowego czy dodatkowego) pojawią się następujące kolory:

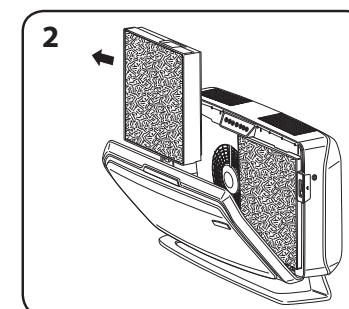
- Czerwony migający = PRAWY filtr pełny w 90%
- Bursztynowy migający = LEWY filtr pełny w 90%
- Czerwony migający, Przerwa, Bursztynowy migający, Przerwa = Filtr PRAWY i LEWY pełny w 90%
- Czerwony = Wymienić filtr PRAWY
- Bursztynowy = Wymienić filtr LEWY
- Czerwony i bursztynowy naprzemiennie = Wymienić filtr PRAWY i LEWY

Nie należy myć ani ponownie używać żadnych filtrów — nie będą one wydajnie pracować. Stosować tylko filtry zamienne marki AeraMax® PRO ponieważ urządzenie nie zadziała w przypadku stosowania filtrów innych marek.

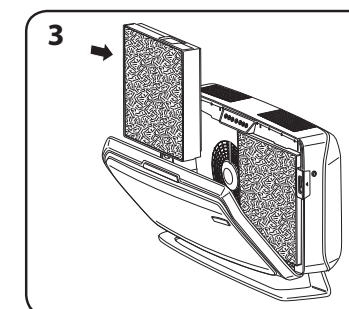
### PROCEDURA WYMIANY FILTRA:



Odblokować panel dostępu: w celu odblokowania włożyć załączony klucz i obrócić w lewo o ¼ obrotu.



Otworzyć przedni panel dostępu naciskając zatrzaski po obu stronach urządzenia. Całkowicie otworzyć drzwiczki panelu. Wyjąć filtry przeznaczone do wymiany.



Zdjąć całe opakowanie z nowych filtrów i zainstalować je w urządzeniu.

### WYMIANA FILTRA:

Podczas instalacji nowego filtra urządzenie automatycznie wykryje rodzaj filtra, lecz użytkownik musi oprócz tego ręcznie zresetować wskaźnik wymiany filtra. Aby zresetować migający wskaźnik wymiany filtra należy postępować zgodnie z procedurą opisaną poniżej:

- 1 Nacisnąć i przytrzymać zapalony wskaźnik przez trzy sekundy aż do usłyszenia sygnału dźwiękowego. W tym momencie wskaźnik zapali się na zielono.
- 2 Zdjąć palec ze wskaźnika.
- 3 Nacisnąć i przytrzymać wskaźnik przez trzy sekundy aż do usłyszenia sygnału dźwiękowego. W tym momencie wskaźnik zgaśnie.

**Uwaga: W przypadku niewykonania kroku trzeciego przed upływem 10 sekund od wykonania kroku 1 światło wskaźnika nie ulegnie zresetowaniu.**

### ROZWIĄZYWANIE PROBLEMÓW:

PROBLEM	MOŻLIWE ROZWIĄZANIE
System kontroli jakości powietrza nie włącza się.	<ul style="list-style-type: none"> <li>• Sprawdzić, czy urządzenie jest podłączone do zasilania.</li> <li>• Upewnić się że zainstalowano oryginalne filtry marki AeraMax® PRO, ponieważ urządzenie nie zadziała w przypadku filtrów innych marek. WAŻNE: Upewnić się, że obszar wykrywania filtra w oryginalnym filtrze AeraMax® PRO jest wyrównany z oknem w ramie filtra.</li> <li>• W celu uzyskania dalszych szczegółów skonsultować się z rozdziałem „Reinstalacja filtrów”</li> <li>• Upewnić się, że przedni panel dostępu jest całkowicie zamknięty.</li> <li>• Upewnić się, że zasilanie jest włączone.</li> </ul>
Z urządzenia wydobywa się ciche tykanie.	<ul style="list-style-type: none"> <li>• Oznacza to, że jonizator dwubiegunowy „PlasmaTRUE™” pracuje.</li> </ul>
Wskaźnik wymiany filtra HEPA lub filtra węglowego pozostaje zapalony po przeprowadzeniu wymiany filtra.	<ul style="list-style-type: none"> <li>• Powtórzyć procedurę resetowania wskaźnika filtra.</li> </ul>

\*Копию руководства можно найти на веб-сайте [www.aeramaxpro.com](http://www.aeramaxpro.com)

## ИНСТРУКЦИИ ПО ТЕХНИКЕ БЕЗОПАСНОСТИ/ПРЕДУПРЕЖДЕНИЕ

Благодарим вас за покупку системы AeraMax® PRO AM IVS.

Прочитайте и сохраните эти инструкции. Внимательно прочитайте инструкцию, прежде чем приступить к сборке, монтажу, эксплуатации или обслуживанию настоящего изделия. Защитите себя и окружающих, соблюдая все требования безопасности. Несоблюдение данных инструкций может привести к травме и/или повреждению имущества. Сохраните инструкции для дальнейшего использования.

### ВАЖНЫЕ МЕРЫ ПРЕДОСТОРОЖНОСТИ И ИНСТРУКЦИИ ПО ИСПОЛЬЗОВАНИЮ ВОЗДУХООЧИСТИТЕЛЯ:

**ПРЕДУПРЕЖДЕНИЕ:** Следуйте указаниям, приведенным в данном руководстве, чтобы уменьшить опасность поражения электрическим током, возникновения короткого замыкания и/или пожара.

- Не допускается использование данного воздухоочистителя в качестве единственного средства защиты от вредных загрязняющих веществ.
- Данное устройство разрешается использовать только так, как это предусмотрено изготовителем. В случае возникновения вопросов, свяжитесь с изготовителем.
- Запрещается ремонтировать данное устройство или вносить в нее какие-либо изменения, за исключением случаев, в явном виде описанных в данном руководстве. Любой ремонт должен выполняться квалифицированным техническим специалистом.
- Данное устройство имеет штепсельную вилку с разными полюсами (один полюсный контакт шире, чем другой). Не вставляйте вилку в электрическую розетку с усилением.
- Запрещается вносить какие-либо изменения в конструкцию вилки. Если вилка не входит в розетку, переверните ее. Если вилка не входит в розетку и в этом случае, обратитесь к квалифицированному техническому специалисту для установки правильной розетки.
- Запрещается эксплуатировать устройство с поврежденным шнуром питания или вилкой, а также при ненадежном подключении к розетке.
- Не допускайте повреждения, разрыва, перегрева, растяжения, перекручивания, связывания в узел, помещения в оболочку, сдавливания шнура питания, или помещения на него тяжелых предметов.
- Периодически удаляйте пыль со штепсельной вилки. Это уменьшит вероятность скапливания влаги, которая повышает опасность поражения электрическим током.
- В случае повреждения штепсельной вилки, ее замена должна производиться производителем или квалифицированным техническим специалистом.
- Перед чисткой устройства извлеките штепсельную вилку из розетки. Извлекая штепсельную вилку, удерживайте ее за штепсель. Запрещается тянуть за шнур питания.
- Если устройство не используется, извлекайте штепсельную вилку из розетки.
- Запрещается прикасаться к штепсельной вилке мокрыми руками.
- Запрещается класть шнур питания под ковровые покрытия.
- Устройство для контроля качества воздуха AeraMax® PRO должно быть заземлено.
- Перед обслуживанием или чисткой устройства отключите источник питания на эксплуатационной панели. Заблокируйте эксплуатационную панель или прикрепите предупредительную бирку, чтобы предотвратить случайное включение питания.
- Используйте электрическое питание (напряжение и частоту), указанное для монтируемой модели воздухоочистителя.
- Не допускается загромождать воздухопускное или воздуховыпускное отверстие воздухоочистителя.
- Не допускается использование устройства без установленных фильтров.
- Запрещается мыть и повторно использовать любые фильтры.
- Не допускается использовать приспособления или фильтры прочих марок, кроме AeraMax® PRO, так как в противном случае устройство не будет работать.
- Не разрешается разбрызгивать аэрозоли на устройство или внутрь него.
- Не разрешается использование для чистки устройства моющих средств.
- Запрещается вставлять пальцы, посторонние предметы и лить жидкости в воздухозаборник или отверстие для выпуска воздуха.
- Не разрешается использовать устройство ни для каких иных целей, кроме очистки воздуха.
- Если шнур питания поврежден, то во избежание опасности заменять его должен производитель, его сервисный агент или лицо, обладающее аналогичной квалификацией.
- Дети должны находиться под наблюдением, не позволяйте им играть с устройством.
- Данное устройство разрешено использовать детям в возрасте 8 лет и старше, лицам с ограниченными физическими, сенсорными или психическими возможностями, а также лицам, не обладающим необходимым опытом и знаниями, если при использовании устройства они находятся под присмотром или ознакомлены с техникой безопасности и осознают возможную опасность. Не позволяйте детям играть с устройством. Не позволяйте детям чистить и разбирать устройство без присмотра.

### ОГРАНИЧЕННАЯ ГАРАНТИЯ НА ИЗДЕЛИЕ

Ограниченная гарантия. Компания Fellowes, Inc. («Fellowes») гарантирует, что система контроля качества воздуха AeraMax® PRO («Изделие») будет свободна от дефектов материала и изготовления в течение периода, указанного ниже.

- Только для ноутбуков: Счетчик частиц и экран в течение трех (3) лет с даты первоначальной покупки изделия.
- Для стандартных компьютеров и ноутбуков: Все остальные части в течение пяти (5) лет с даты первоначальной покупки изделия. В случае монтажа изделия на объекте нового строительства гарантийный срок начинается с даты получения разрешения на ввод объекта в эксплуатацию или через один год после даты покупки, в зависимости от того, что наступит раньше. Если какая-либо деталь устройства будет признана дефектной в течение гарантийного срока, единственным и исключительным средством правовой защиты покупателя является ремонт или замена дефектной детали (по усмотрению и за счет компании Fellowes). Гарантия не распространяется на ущерб, причиненный вследствие использования фильтров, не одобренных компанией Fellowes, или несоблюдения рекомендуемой процедуры замены. Данная гарантия не распространяется на случаи неправильной эксплуатации, неправильного обращения, несоблюдения эксплуатационных норм, эксплуатации устройства при ненадлежащих параметрах электропитания (отличных от указанных на этикетке), а также несанкционированного ремонта. Компания Fellowes сохраняет за собой право взыскивать с покупателя любые дополнительные расходы, понесенные компанией Fellowes при предоставлении деталей или обслуживания за пределами страны, где изделие было первоначально продано уполномоченным продавцом. Данная гарантия не распространяется на сменные фильтры. Если окажется, что специальному обслуживающему персоналу компании Fellowes не предоставлен свободный доступ к объекту, компания Fellowes оставляет за собой право на поставку заказчику запасных частей или изделия, что будет считаться полным выполнением ее обязательств по настоящей гарантии, а также любых обязательств по обслуживанию. **НАСТОЯЩИЙ ДОКУМЕНТ ОГРАНИЧИВАЕТ ДЕЙСТВИЕ ЛЮБОЙ ПОДРАЗУМЕВАЕМОЙ ГАРАНТИИ, В ТОМ ЧИСЛЕ ГАРАНТИИ ТОВАРНОГО СОСТОЯНИЯ ИЛИ ПРИГОДНОСТИ ДЛЯ ИСПОЛЬЗОВАНИЯ В ОПРЕДЕЛЕННЫХ ЦЕЛЯХ, УКАЗАННЫМ ВЫШЕ СООТВЕТСТВУЮЩИМ ГАРАНТИЙНЫМ СРОКОМ.** Компания Fellowes ни при каких обстоятельствах не несет ответственность за любой косвенный ущерб, связанный с данным изделием. Эта гарантия предоставляет вам определенные юридические права. Срок действия и условия настоящей гарантии действительны во всем мире за исключением стран, где местное законодательство может налагать другие ограничения или условия.

### СОДЕРЖАНИЕ КОМПЛЕКТА

- Система контроля качества воздуха AeraMax® PRO
- Фильтр True HEPA с антимикробной защитой AeraSafe™ (2 фильтра)
- Фильтр с активированным углем с предварительным фильтром (по 2 шт каждого фильтра)
- Ключи для блокировки передней панели (2 шт.)
- Сведения о регистрации

### ХАРАКТЕРИСТИКИ ИЗДЕЛИЯ

AeraMax® PRO AM IVS	
Размеры (В x Ш x Г)	49,7 x 88,1 x 22,8 см
Вес системы (включая фильтры)	15,1 кг
Требования к питанию	220–240 В, 50 / 60 Гц, 1,4 А
Расход энергии (5 скоростей вентилятора)	8, 12, 18, 35, 180 Ватт
Подача воздуха (5 скоростей вентилятора)	260, 316, 381, 476, 748 куб. фут/мин.
Громкость	42, 44, 51, 53, 68 дБ
Дисплей	Емкостный сенсорный, только для внутреннего доступа
Датчики	EnviroSmart™
Режимы управления под управлением датчика	2 основных режима - нормальный и тихий режим
Поставляемые фильтры	2 фильтра True HEPA с антимикробной защитой AeraSafe™ и средним расчетным сроком службы 1 год, 2 фильтра с активированным углем, средний расчетный срок службы 6 месяцев.
Система очистки	Высокоэффективный сухой воздушный фильтр (HEPA) с номинальной эффективностью 99,97% частиц, взвешенных в воздухе при 0,3 микронах. Угольный фильтр адсорбирует запахи и летучие органические соединения, биполярный ионизатор PlasmaTRUE™.

### ЗАПАСНЫЕ ФИЛЬТРЫ

2" HEPA	Запасной фильтр True HEPA с антимикробной защитой AeraSafe™. Средний срок службы фильтра 12–18 месяцев: 9416602 – 2 упаковки
3/8" угольный	Запасной фильтр с гранулированным активированным углем и предварительным фильтром. Средний срок службы фильтра 6 лет: 9416502 – 4 упаковки
2" угольный	Запасной фильтр с гранулированным активированным углем. Средний срок службы фильтра 2 года: 9436802 – 2 упаковки
2" гибридный 1"	Гибридный запасной фильтр с предварительным фильтром True HEPA и 1" угольный фильтр. Средний срок службы фильтра 1 год: 9436902 – 2 упаковки

Информация касательно дополнительных запасных фильтров и вспомогательных принадлежностей приведена на сайте: [www.aeramaxpro.com](http://www.aeramaxpro.com)

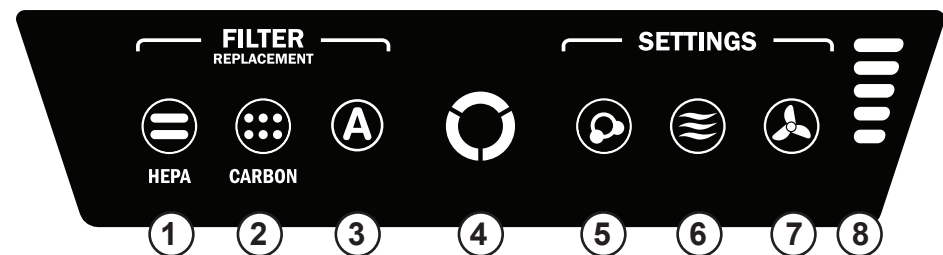
### ИНФОРМАЦИЯ ДЛЯ ПОЛЬЗОВАТЕЛЯ

Данное устройство прошло испытания и признано соответствующим ограничениям для цифровых устройств класса В согласно части 15 Правил Федеральной комиссии связи США (FCC). Данные допустимые значения предназначены для обеспечения приемлемой защиты от вредных помех при установке. Данное устройство генерирует, использует и может излучать энергию на радиочастотах, и в случае нарушения инструкций при установке и использовании может привести к возникновению вредных помех для радиосвязи. Тем не менее, нет никаких гарантий, что помехи не возникнут при конкретных условиях установки. Если данное оборудование вызывает помехи радиовещательного или телевизионного приема, что может быть определено путем включения и выключения устройства, пользователь может попытаться устранить помехи одним или несколькими из следующих способов:

- Измените направление или местоположение приемной антенны
- Увеличьте расстояние между оборудованием и приемным устройством
- Подключите оборудование к цепи, отличной от той, к которой подключен приемник.
- Обратитесь к дилеру или опытному специалисту в области радио- или телевизионной техники за помощью.

**ПРЕДУПРЕЖДЕНИЕ:** Внесение изменений или модификаций, которые прямо не одобрены производителем, может лишить пользователя права на эксплуатацию данного устройства и гарантии.





**ВНИМАНИЕ:** после включения устройства индикатор «AQ» будет мигать в течение нескольких минут, пока выполняется самокалибровка системы.

- ИНДИКАТОР ЗАМЕНЫ ФИЛЬТРА HEPA** — Данный индикатор работает при открытой или закрытой панели доступа. Если индикатор горит красным цветом, фильтр нуждается в замене. Период между заменами зависит от используемых фильтров, количества отработанных часов, качества воздуха и скорости подачи воздуха. Описания индикаторов замены фильтров приведены в разделе *ИНДИКАТОР ЗАМЕНЫ ФИЛЬТРОВ*.
- ИНДИКАТОР ЗАМЕНЫ УГОЛЬНОГО ФИЛЬТРА** — Данный индикатор работает при открытой или закрытой панели доступа. Если индикатор горит красным цветом, фильтр нуждается в замене. Период между заменами зависит от используемых фильтров, количества отработанных часов, качества воздуха и скорости подачи воздуха. Описания индикаторов замены фильтров приведены в разделе *ИНДИКАТОР ЗАМЕНЫ ФИЛЬТРОВ*.
- ИНДИКАТОР ВСПОМОГАТЕЛЬНОГО ФИЛЬТРА** — Данный индикатор работает при открытой или закрытой панели доступа. Данный индикатор используется только, если в устройстве установлен вспомогательный фильтр. Если индикатор горит красным цветом, фильтр нуждается в замене. Период между заменами зависит от используемых фильтров, количества отработанных часов, качества воздуха и скорости подачи воздуха. Описания индикаторов замены фильтров приведены в разделе *ИНДИКАТОР ЗАМЕНЫ ФИЛЬТРОВ*.
- ДАТЧИК КАЧЕСТВА ВОЗДУХА** — Данный индикатор работает при открытой или закрытой панели доступа. Данный индикатор контролирует состояние воздуха и регулирует скорость вентилятора для очищения воздуха. Синий, желтый и красный цвета указывают на степень чистоты воздуха.
- ТЕХНОЛОГИЯ PlasmaTRUE™** — Данный индикатор указывает, открыта ли панель доступа или закрыта. Создает ионизированное поле для безопасного удаления переносимых по воздуху загрязняющих веществ. Для включения и отключения ТЕХНОЛОГИИ PlasmaTRUE™, прикоснитесь к индикатору PLASMA и удерживайте его. Голубой свет загорается при включении PlasmaTRUE™ TECHNOLOGY. Чтобы отключить PlasmaTRUE™ TECHNOLOGY, нажмите и удерживайте индикатор «Plasma», пока не погаснет свет.
- АВТОМАТИЧЕСКИЙ РЕЖИМ** — Для выбора данного режима нажмите и удерживайте кнопку, пока не загорится значок. Данный режим использует технологию EnviroSmart™, которая выполняет контроль качества воздуха, движения и уровня шума для регулировки скорости вентилятора, чтобы очищать воздух максимально быстро. Данная кнопка также включает ТИХИЙ РЕЖИМ. Для выбора этого режима нажмите и удерживайте кнопку, пока она не загорится фиолетовым цветом. Устройство продолжит использовать EnviroSmart™, но при этом будет работать только в трех самых тихих из 5 скоростей вентилятора.
- РУЧНОЙ РЕЖИМ** — Для выбора данного режима, нажмите кнопку, пока не загорится значок. Данный режим позволяет выбирать одну из 5 скоростей вентилятора и поддерживает эту скорость работы устройства до тех, пока снова не будет выбран АВТОМАТИЧЕСКИЙ РЕЖИМ. В данном режиме внутренние датчики не будут регулировать скорость вентилятора.
- ИНДИКАТОРЫ СКОРОСТИ РАБОТЫ ВЕНТИЛЯТОРА** — Вентилятор имеет 5 скоростей и может работать в турборежиме при очистке помещения от высоких уровней загрязняющих веществ. Количество светящихся полосок означает скорость вентилятора.  
1 – бесшумная      4 – высокая  
2 – низкая            5 – турборежим  
3 – средняя

ЭКСПЛУАТАЦИЯ

Воздухоочиститель постоянно работает в автоматическом режиме; пользователь может выбрать параметры работы воздухоочистителя на основании местоположения и желаемого режима работы устройства. Чтобы обеспечить тихую работу и при этом очистить помещение от загрязнений, воздухоочиститель будет работать в минимальном диапазоне скоростей, не превышая максимальный выбранный уровень. После завершения очистки воздуха, если ни один из датчиков не активировался, устройство переходит в режим энергосбережения, чтобы сократить расход энергии и продлить срок службы фильтров.

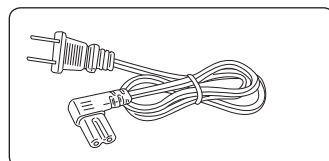
При выбранном автоматическом режиме индикатор автоматического режима будет гореть синим цветом. Данный режим использует технологию EnviroSmart™, которая выполняет контроль качества воздуха, движения и уровня шума для регулировки скорости вентилятора, чтобы очищать воздух максимально быстро. После завершения очистки воздуха, если ни один из датчиков не активировался, устройство переходит в режим энергосбережения, чтобы сократить расход энергии и продлить срок службы фильтров.

Устройство продолжит использовать EnviroSmart™, но при этом будет работать только в трех самых тихих из 5 скоростей вентилятора.

При выбранном ручном режиме индикатор ручного режима будет гореть синим цветом. Данный режим позволяет выбирать одну из 5 скоростей вентилятора и поддерживает эту скорость работы устройства до тех, пока не будет выбран автоматический режим. В данном режиме датчики EnviroSmart™ НЕ будут регулировать скорость вентилятора.

УСТАНОВКА

- Откройте устройство путем нажатия на защелки с обеих сторон.
- Снимите мешок(-и) с фильтра(-ов) и установите назад в устройство.
- Подключите гнездовой разъем IEC к штыревому разъему шнура питания на задней стороне устройства.



ЧИСТКА:

- Очищайте наружный кожух по мере необходимости, протирая его сухой, мягкой тканью; для удаления пятен используйте теплую, влажную ткань.
- Запрещается использовать для чистки летучие жидкости, такие как бензол, разбавитель для краски, чистящий порошок или прочие чистящие средства, поскольку они могут повредить поверхность устройства.
- Чтобы очистить впускные и выпускные отверстия, протрите их сухой, мягкой тканью.

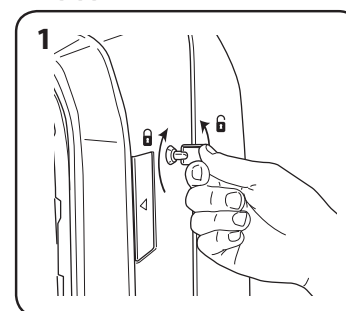
ИНДИКАТОРЫ ЗАМЕНЫ ФИЛЬТРОВ:

Индикаторы замены фильтров укажут на необходимость замены фильтра HEPA и/или угольного фильтра с предварительным фильтром. Период между заменами зависит от количества отработанных часов, качества воздуха и скорости подачи воздуха. Однако большинство фильтров HEPA при нормальных условиях работы необходимо менять через каждые 2 года, а угольный фильтр с предварительным фильтром подлежит замене через каждые 6 месяцев. При необходимости замены фильтра, один из индикаторов замены фильтра HEPA, УГОЛЬНОГО или ВСПОМОГАТЕЛЬНОГО фильтра загорится следующим цветом:

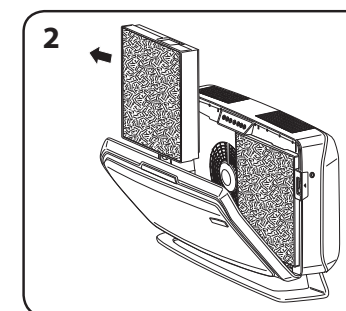
- Красный (мигает) = ПРАВЫЙ фильтр на 90% заполнен
- Оранжевый (мигает) = ЛЕВЫЙ фильтр на 90% заполнен
- Красный (мигает), пауза, оранжевый (мигает), пауза = Правый и ЛЕВЫЙ фильтр на 90% заполнены
- Красный = Заменить ПРАВЫЙ фильтр
- Оранжевый = Заменить ЛЕВЫЙ фильтр
- Красный и оранжевый поочередно = Заменить правый и левый фильтры

Запрещается мыть и повторно использовать фильтры — их использование будет неэффективным. Разрешается использовать только запасные фильтры марки AeraMax® PRO, поскольку устройства не будут функционировать при использовании любых других запасных фильтров.

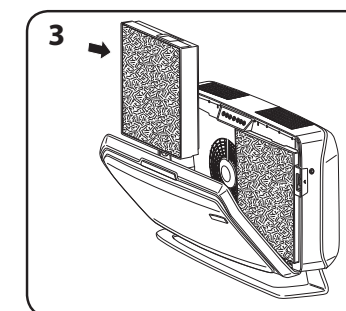
ПРОЦЕДУРА ЗАМЕНЫ ФИЛЬТРА:



Разблокируйте панель доступа: для этого вставьте предоставленный ключ и поверните против часовой стрелки на ¼ оборота.



Откройте переднюю панель доступа, нажав защелки, расположенные на обеих сторонах блока. Откройте панель полностью. Извлеките фильтр или фильтры, подлежащие замене.



Снимите весь упаковочный материал с нового фильтра (фильтров) и повторно установите фильтры.

ЗАМЕНА ФИЛЬТРОВ.

При монтаже нового фильтра устройство автоматически определит тип фильтра, но пользователю придется вручную сбросить показания индикаторов замены фильтров. Чтобы сбросить мигающий индикатор замены фильтров, необходимо выполнить следующую процедуру:

- Прикоснитесь к горящему индикатору и удерживайте в течение трех секунд, пока не послышится звуковой сигнал, а индикатор не начнет мигать зеленым.
- Снимите палец с индикатора.
- Прикоснитесь к индикатору и удерживайте в течение трех секунд, пока не послышится звуковой сигнал, а индикатор не погаснет.

**Примечание:** Если не выполнить шаг три в течение 10 секунд после выполнения шага 1, сброс светового индикатора не произойдет.

ПОИСК И УСТРАНЕНИЕ НЕИСПРАВНОСТЕЙ

ПРОБЛЕМА	ВОЗМОЖНОЕ РЕШЕНИЕ
Система контроля качества воздуха не включается.	<ul style="list-style-type: none"> <li>Убедитесь, что устройство подсоединено к источнику питания.</li> <li>Убедитесь, что в качестве фильтров используются оригинальные фильтры AeraMax® PRO, поскольку устройство не работает с фильтрами других марок. ВАЖНО: Убедитесь, что зона обнаружения фильтра на оригинальном запасном фильтре AeraMax® PRO совпадает с окном в раме фильтра.</li> <li>Дальнейшие сведения приведены в разделе «Повторная установка фильтров».</li> <li>Убедитесь, что передняя панель доступа полностью закрыта.</li> <li>Убедитесь, что выключатель питания включен.</li> </ul>
Устройство издает тихий тикающий звук.	<ul style="list-style-type: none"> <li>Это указывает на то, что биполярный ионизатор «PlasmaTRUE™» работает.</li> </ul>
Световой индикатор замены фильтра HEPA и/или угольного фильтра продолжает гореть после замены фильтра (фильтров).	<ul style="list-style-type: none"> <li>Повторите процедуру сброса светового индикатора замены фильтра.</li> </ul>

\*Για ένα αντίγραφο του εγχειριδίου, επισκεφθείτε την τοποθεσία [www.aeramaxpro.com](http://www.aeramaxpro.com)

## ΟΔΗΓΙΕΣ ΑΣΦΑΛΕΙΑΣ/ΠΡΟΕΙΔΟΠΟΙΗΣΗ

Σας ευχαριστούμε που αγοράσατε το AeraMax® PRO AM IVS.

Διαβάστε και φυλάξτε αυτές τις οδηγίες. Διαβάστε τις προσεκτικά προτού επιχειρήσετε να συναρμολογήσετε, να εγκαταστήσετε, να λειτουργήσετε ή να συντηρήσετε αυτό το προϊόν. Προστατεύστε τον εαυτό σας και τους άλλους ακολουθώντας όλες τις πληροφορίες για την ασφάλεια. Η μη συμμόρφωση με τις οδηγίες θα μπορούσε να προκαλέσει τραυματισμό ή/και υλικές ζημιές. Φυλάξτε τις οδηγίες για μελλοντική αναφορά.

### ΣΗΜΑΝΤΙΚΕΣ ΣΗΜΕΙΩΣΕΙΣ ΠΡΟΣΟΧΗΣ ΚΑΙ ΟΔΗΓΙΕΣ ΧΡΗΣΗΣ ΤΟΥ ΚΑΘΑΡΙΣΤΗ ΑΕΡΑ:

**ΠΡΟΕΙΔΟΠΟΙΗΣΗ:** Ακολουθείτε τις οδηγίες σε αυτό το εγχειρίδιο για να μειώσετε τον κίνδυνο ηλεκτροπληξίας, βραχυκυκλώματος ή/και πυρκαγιάς:

- Μην χρησιμοποιείτε αυτόν τον καθαριστή αέρα ως το μοναδικό προστατευτικό μέσο έναντι των επιβλαβών μολυσματικών ουσιών.
- Χρησιμοποιείτε αυτήν τη μονάδα μόνο με τον τρόπο που ορίζει ο κατασκευαστής. Αν έχετε ερωτήσεις, επικοινωνήστε με τον κατασκευαστή.
- Μην επισκευάζετε ή τροποποιείτε τη μονάδα εκτός κι αν συνιστάται συγκεκριμένα στο παρόν εγχειρίδιο. Όλες οι επισκευές θα πρέπει να εκτελούνται από εξουσιοδοτημένο τεχνικό.
- Το βύσμα για τη μονάδα αυτή είναι πολωμένο με τη μία λεπίδα φαρδύτερη από την άλλη. Μην πιέζετε με βία το βύσμα μέσα σε ηλεκτρική πρίζα.
- Μην μετατρέπετε με κανέναν τρόπο το βύσμα. Αν το βύσμα δεν ταιριάζει στην πρίζα, αντιστρέψτε το βύσμα. Αν παρόλα αυτά δεν ταιριάζει, επικοινωνήστε με έναν εξειδικευμένο τεχνικό για να εγκαταστήσει μια κατάλληλη πρίζα.
- Να μην χρησιμοποιείται αν το καλώδιο τροφοδοσίας ή η πρίζα είναι ελαττωματικά ή η σύνδεση στην πρίζα τοίχου είναι χαλαρή.
- Μην καταστρέψετε, σπάτε, λυγίζετε με βία, τραβάτε, συστρέψετε, συνενώνετε, επικαλύπτετε, σφίγγετε ή τοποθετείτε βαριά αντικείμενα πάνω στο καλώδιο τροφοδοσίας.
- Απομακρύνετε περιοδικά τη σκόνη από το βύσμα τροφοδοσίας. Έτσι θα περιοριστούν οι πιθανότητες να συγκεντρωθεί υγρασία, η οποία αυξάνει τον κίνδυνο ηλεκτροπληξίας.
- Αν το βύσμα τροφοδοσίας είναι ελαττωματικό, θα πρέπει να αντικατασταθεί από τον κατασκευαστή ή από έναν εξειδικευμένο τεχνικό.
- Αφαιρέστε το βύσμα τροφοδοσίας από την πρίζα πριν καθαρίσετε τη μονάδα. Όταν αφαιρέτε το βύσμα τροφοδοσίας, πιάνετε το ίδιο το βύσμα και ποτέ από το καλώδιό του.
- Αφαιρέτε το βύσμα τροφοδοσίας από την πρίζα ενώ η μονάδα δεν χρησιμοποιείται.
- Μην πιάνετε το βύσμα τροφοδοσίας με βρεγμένα χέρια.
- Μην περνάτε το καλώδιο τροφοδοσίας κάτω από χαλιά και μην το καλύπτετε με ριχτάρια.
- Το σύστημα ελέγχου ποιότητας αέρα AeraMax® PRO πρέπει να είναι γειωμένο.
- Πριν από το σέρβις ή τον καθαρισμό της μονάδας, απενεργοποιήστε την τροφοδοσία στον πίνακα σέρβις. Κλειδώστε τον πίνακα σέρβις ή κολλήστε μια προειδοποιητική ετικέτα, για να αποτρέψετε την ακούσια ενεργοποίηση της τροφοδοσίας.
- Χρησιμοποιείτε μόνο την ηλεκτρική ισχύ (τάση και συχνότητα) που έχει καθοριστεί για το μοντέλο καθαριστή αέρα που εγκαθιστάτε.
- Μην παρεμποδίζετε την είσοδο ή την έξοδο αέρα του καθαριστή αέρα.
- Μην χρησιμοποιείτε τη μονάδα χωρίς να έχετε εγκαταστήσει τα φίλτρα.
- Μην πλένετε και μην επαναχρησιμοποιείτε κανένα φίλτρο.
- Μην χρησιμοποιείτε άλλα εξαρτήματα ή φίλτρα εκτός από αυτά της AeraMax® PRO, επειδή η μονάδα δεν θα λειτουργήσει.
- Μην ψεκάζετε αερολύματα επάνω ή μέσα στη μονάδα.
- Μην χρησιμοποιείτε απορρυπαντικό για να καθαρίσετε τη μονάδα.
- Μην εισάγετε δάχτυλα, υγρά ή ξένα αντικείμενα στην είσοδο ή έξοδο του αέρα.
- Μην χρησιμοποιείτε τη μονάδα για οτιδήποτε άλλο εκτός από τον καθαρισμό αέρα.
- Αν το καλώδιο παροχής παρουσιάσει βλάβη, πρέπει να αντικατασταθεί από τον κατασκευαστή, τον εκπρόσωπό του ή αντίστοιχα ειδικευμένα άτομα, για την αποφυγή κινδύνου.
- Τα παιδιά πρέπει να επιτηρούνται, προκειμένου να διασφαλιστεί ότι δεν παίζουν με τη συσκευή.
- Αυτή η συσκευή μπορεί να χρησιμοποιηθεί από παιδιά ηλικίας από 8 ετών και άνω και από άτομα με μειωμένες σωματικές, αισθητηριακές ή διανοητικές ικανότητες ή έλλειψη εμπειρίας και γνώσης, εφόσον έχουν τύχει επίβλεψης ή καθοδήγησης σχετικά με τη χρήση της συσκευής με ασφαλή τρόπο κατανοώντας τους κινδύνους που υπάρχουν. Τα παιδιά δεν πρέπει να παίζουν με αυτή τη συσκευή. Ο καθαρισμός και η συντήρηση από τον χρήστη δεν θα πρέπει να γίνεται από παιδιά χωρίς επίβλεψη.

## ΠΕΡΙΟΡΙΣΜΕΝΗ ΕΓΓΥΗΣΗ ΤΟΥ ΠΡΟΪΟΝΤΟΣ

Περιορισμένη Εγγύηση: Η Fellowes, Inc. ("Fellowes") εγγυάται ότι το σύστημα ελέγχου ποιότητας αέρα AeraMax® PRO (το "προϊόν") δεν έχει ελαττώματα σε υλικά και εργατικά για τις χρονικές περιόδους που ορίζονται παρακάτω.

- Μόνο για μονάδες PC: Μετρητές σωματιδίων και οθόνη ένδειξης για περίοδο τριών (3) ετών από την ημερομηνία αρχικής αγοράς του προϊόντος.
- Για στάνταρ μονάδες και μονάδες PC: Όλα τα άλλα μέρη για περίοδο πέντε (5) ετών από την ημερομηνία αρχικής αγοράς του προϊόντος. Σε περίπτωση που το Προϊόν εγκαθίσταται σε νέα οικοδομή, η περίοδος εγγύησης θα ξεκινήσει από την ημερομηνία άδειας χρήσης αυτής ή ένα έτος μετά την ημερομηνία αγοράς, όποια είναι πρώτη. Εάν παρουσιαστεί ελάττωμα σε οποιοδήποτε εξάρτημα κατά την περίοδο εγγύησης, η μόνη και αποκλειστική σας αποκατάσταση θα είναι η επισκευή ή η αντικατάσταση, κατά την επιλογή και με έξοδα της Fellowes, του ελαττωματικού εξαρτήματος. Αυτή η εγγύηση δεν καλύπτει ζημιές που προκαλούνται από τη χρήση φίλτρων που δεν έχουν εγκριθεί από την Fellowes ή αν δεν τηρηθεί το συνιστώμενο χρονοδιάγραμμα αντικατάστασης. Αυτή η εγγύηση δεν ισχύει σε περιπτώσεις κακομεταχείρισης, ακατάλληλου χειρισμού, μη συμμόρφωσης με τα πρότυπα χρήσης του προϊόντος, λειτουργίας με τη χρήση ακατάλληλης ηλεκτρικής τροφοδοσίας (εκτός από αυτήν που αναφέρεται στην ετικέτα) ή μη εξουσιοδοτημένων επισκευών. Η Fellowes διατηρεί το δικαίωμα να χρεώσει τους πελάτες για οποιοδήποτε πρόσθετο κόστος στο οποίο υποβάλλεται η Fellowes για να παρέχει εξαρτήματα ή υπηρεσίες εκτός της χώρας στην οποία πουλήθηκε αρχικά το Προϊόν από έναν εξουσιοδοτημένο μεταπωλητή. Αυτή η εγγύηση δεν καλύπτει τα αναλώσιμα φίλτρα. Σε περίπτωση που το Προϊόν δεν είναι άμεσα προσβάσιμο στο καθορισμένο προσωπικό σέρβις της Fellowes, η Fellowes διατηρεί το δικαίωμα να παράσχει στον πελάτη ανταλλακτικά ή το Προϊόν τερνώντας όλες τις υποχρεώσεις της που απορρέουν από αυτήν την εγγύηση καθώς και τις υποχρεώσεις για το σέρβις του. ΟΠΟΙΟΔΗΠΟΤΕ ΥΠΟΝΟΟΥΜΕΝΗ ΕΓΓΥΗΣΗ, ΣΥΜΠΕΡΙΛΑΜΒΑΝΟΜΕΝΩΝ ΕΓΓΥΗΣΕΩΝ ΕΜΠΟΡΕΥΣΙΜΟΤΗΤΑΣ Ή ΚΑΤΑΛΛΗΛΟΤΗΤΑΣ ΓΙΑ ΣΥΓΚΕΚΡΙΜΕΝΟ ΣΚΟΠΟ, ΠΕΡΙΟΡΙΖΕΤΑΙ ΔΙΑ ΤΟΥ ΠΑΡΟΝΤΟΣ ΣΕ ΔΙΑΡΚΕΙΑ ΙΣΗ ΜΕ ΤΗΝ ΑΝΑΛΟΓΗ ΔΙΑΡΚΕΙΑ ΕΓΓΥΗΣΗΣ ΠΟΥ ΑΝΑΦΕΡΕΤΑΙ ΠΑΡΑΠΑΝΩ. Η εταιρεία Fellowes δεν θα είναι σε καμία περίπτωση υπεύθυνη για οποιοδήποτε συνεπαγόμενες, συμπτωματικές, έμμεσες ή ειδικές ζημιές. Αυτή η εγγύηση σας δίνει συγκεκριμένα νομικά δικαιώματα. Η διάρκεια, οι όροι και οι προϋποθέσεις αυτής της εγγύησης ισχύουν σε παγκόσμιο επίπεδο, εκτός από τις περιπτώσεις στις οποίες μπορεί να απαιτούνται από τους τοπικούς νόμους συγκεκριμένοι περιορισμοί ή ειδικές απαγορεύσεις ή προϋποθέσεις.

## ΠΕΡΙΕΧΟΜΕΝΑ ΣΥΣΚΕΥΑΣΙΑΣ

- Σύστημα Ελέγχου Ποιότητας Αέρα AeraMax® PRO
- Φίλτρο True HEPA με Αντιμικροβιακή Επεξεργασία AeraSafe™ (2 φίλτρα)
- Φίλτρο Ενεργοποιημένου Άνθρακα με Προφίλτρο (2 από κάθε φίλτρο)
- Κλειδιά για Κλειδώμα του Μπροστινού Πίνακα (2)
- Πληροφορίες Εγγραφής

## ΠΡΟΔΙΑΓΡΑΦΕΣ ΠΡΟΪΟΝΤΟΣ

AeraMax® PRO AM IVS	
Διαστάσεις (Υ x Π x Β)	49,7 x 88,1 x 22,8 cm
Βάρος Συστήματος (συμπεριλαμβανομένων των φίλτρων)	33,3 λίβρες / 15,1 kg
Απαιτήσεις Ισχύος	220-240V, 50/60Hz, 1,4A
Κατανάλωση Ισχύος (5 ταχύτητες ανεμιστήρα)	8, 12, 18, 35, 180 watt
Παροχή Αέρα (5 ταχύτητες ανεμιστήρα)	260, 316, 381, 476, 748 CFM
Ντεσιμπέλ	42, 44, 51, 53, 68 dB
Οθόνη	Χωρητική Αφή, Μόνο Εσωτερική Πρόσβαση
Αισθητήρες	EnviroSmart™
Καταστάσεις Λειτουργίας Ελεγχόμενες από Αισθητήρα	2 Κύριες καταστάσεις - Κανονική Κατάσταση και Αθόρυβη Κατάσταση
Παρεχόμενα Φίλτρα	2 Φίλτρα True HEPA με Αντιμικροβιακή Επεξεργασία AeraSafe™ και εκτιμώμενη μέση διάρκεια ζωής φίλτρου 1 έτους, 2 Φίλτρα Ενεργοποιημένου Άνθρακα με Προφίλτρο και εκτιμώμενη μέση διάρκεια ζωής φίλτρου 6 μηνών.
Σύστημα Καθαρισμού	Φίλτρο Υψηλής Απόδοσης για τη Συγκράτηση Σωματιδίων (HEPA) με ονομαστική απόδοση 99,97% στα αερομεταφερόμενα σωματίδια στα 0,3 micron. Το Φίλτρο Άνθρακα απορροφά τις οσμές και τις πτητικές οργανικές ενώσεις. Διπολικός ιονιστής PlasmaTRUE™.

## ΑΝΤΑΛΛΑΚΤΙΚΑ ΦΙΛΤΡΑ

2" HEPA	Ανταλλακτικό φίλτρο True HEPA με επεξεργασία AeraSafe™. Μέση διάρκεια ζωής φίλτρου 12 - 18 μήνες: 9416602 - 2 πακέτα
3/8" άνθρακας	Ανταλλακτικό φίλτρο κοκκώδους ενεργού άνθρακα με προφίλτρο. Μέση διάρκεια ζωής φίλτρου 6 μήνες: 9416502 - 4 πακέτα
2" άνθρακας	Ανταλλακτικό φίλτρο κοκκώδους ενεργού άνθρακα. Μέση διάρκεια ζωής φίλτρου 2 έτη: 9436802 - 2 πακέτα
2" υβριδικό 1"	Υβριδικό ανταλλακτικό φίλτρο True HEPA και 1" άνθρακας με προφίλτρο. Μέση διάρκεια ζωής φίλτρου 1 έτος: 9436902 - 2 πακέτα

Για περισσότερες πληροφορίες σχετικά με το ανταλλακτικό φίλτρο και τα αξεσουάρ, επισκεφθείτε την τοποθεσία: [www.aeramaxpro.com](http://www.aeramaxpro.com)

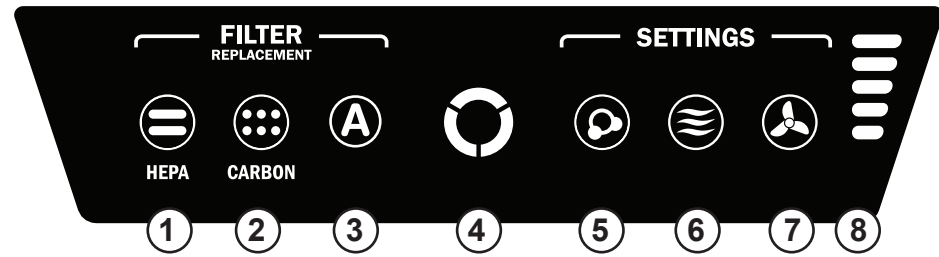
## ΠΛΗΡΟΦΟΡΙΕΣ ΓΙΑ ΤΟΝ ΧΡΗΣΤΗ

Αυτός ο εξοπλισμός έχει ελεγχθεί και διαπιστωθεί ότι συμμορφώνεται με τα όρια για μια ψηφιακή συσκευή Κατηγορίας Β, σύμφωνα με το μέρος 15 των Κανόνων FCC. Αυτά τα όρια έχουν σχεδιαστεί για την παροχή εύλογης προστασίας έναντι των επιβλαβών παρεμβολών σε μια εγκατάσταση. Αυτός ο εξοπλισμός δημιουργεί, χρησιμοποιεί και μπορεί να εκπέμψει ενέργεια ραδιοσυχνότητας και, αν δεν εγκατασταθεί και χρησιμοποιηθεί ακολουθώντας τις οδηγίες, μπορεί να προκαλέσει επιβλαβείς παρεμβολές στις ασύρματες επικοινωνίες. Ωστόσο, δεν παρέχεται εγγύηση ότι δεν θα παρουσιαστούν παρεμβολές σε μια συγκεκριμένη εγκατάσταση. Αν αυτός ο εξοπλισμός προκαλεί επιβλαβείς παρεμβολές στο ραδιοφωνικό ή τηλεοπτικό σήμα, γεγονός που μπορεί να προσδιοριστεί με την απενεργοποίηση και ενεργοποίηση του εξοπλισμού, ο χρήστης ενθαρρύνεται να προσπαθήσει να διορθώσει τις παρεμβολές εφαρμόζοντας ένα από τα παρακάτω μέτρα:

- Αλλαγή προσανατολισμού ή θέσης της κεραίας λήψης.
- Αύξηση της απόστασης διαχωρισμού μεταξύ του εξοπλισμού και του δέκτη.
- Σύνδεση του εξοπλισμού σε διαφορετικό κύκλωμα από εκείνο στο οποίο είναι συνδεδεμένος ο δέκτης.
- Αναζήτηση βοήθειας από τον αντιπρόσωπο ή κάποιον έμπειρο τεχνικό συσκευών ραδιοφώνου/τηλεόρασης.

**ΠΡΟΕΙΔΟΠΟΙΗΣΗ:** Τυχόν αλλαγές ή τροποποιήσεις που δεν έχουν εγκριθεί ρητά από τον κατασκευαστή μπορούν να καταστήσουν άκυρο το δικαίωμα του χρήστη να χρησιμοποιήσει τον εξοπλισμό και την εγγύηση.





**ΣΗΜΕΙΩΣΗ:** μετά την ενεργοποίηση της μονάδας, η λυχνία "AQ" θα αναβοσβήσει για μερικά λεπτά ενώ πραγματοποιείται αυτοβαθμονόμηση του συστήματος.

- 1 ΕΝΔΕΙΚΤΙΚΗ ΛΥΧΝΙΑ ΑΝΤΙΚΑΤΑΣΤΑΣΗΣ ΦΙΛΤΡΟΥ HEPA** – Αυτή η ενδεικτική λυχνία θα δείχνει την κατάσταση της όταν ο πίνακας πρόσβασης είναι ανοικτός ή κλειστός.. Αν η λυχνία είναι κόκκινη, αυτό υποδεικνύει ότι το φίλτρο χρειάζεται αντικατάσταση. Η περίοδος αντικατάστασης ποικίλλει ανάλογα με τα φίλτρα που χρησιμοποιούνται, τις ώρες χρήσης, την ποιότητα του αέρα και τον ρυθμό ροής αέρα. Για τις περιγραφές των ενδεικτικών λυχνιών αντικατάστασης φίλτρων, δείτε την ενότητα **ΕΝΔΕΙΚΤΙΚΕΣ ΛΥΧΝΙΕΣ ΑΝΤΙΚΑΤΑΣΤΑΣΗΣ ΦΙΛΤΡΩΝ**.
- 2 ΕΝΔΕΙΚΤΙΚΗ ΛΥΧΝΙΑ ΑΝΤΙΚΑΤΑΣΤΑΣΗΣ ΦΙΛΤΡΟΥ ΑΝΘΡΑΚΑ** – Αυτή η ενδεικτική λυχνία θα δείχνει την κατάσταση της όταν ο πίνακας πρόσβασης είναι ανοικτός ή κλειστός. Αν η λυχνία είναι κόκκινη, αυτό υποδεικνύει ότι το φίλτρο χρειάζεται αντικατάσταση. Η περίοδος αντικατάστασης ποικίλλει ανάλογα με τα φίλτρα που χρησιμοποιούνται, τις ώρες χρήσης, την ποιότητα του αέρα και τον ρυθμό ροής αέρα. Για τις περιγραφές των ενδεικτικών λυχνιών αντικατάστασης φίλτρων, δείτε την ενότητα **ΕΝΔΕΙΚΤΙΚΕΣ ΛΥΧΝΙΕΣ ΑΝΤΙΚΑΤΑΣΤΑΣΗΣ ΦΙΛΤΡΩΝ**.
- 3 ΕΝΔΕΙΚΤΙΚΗ ΛΥΧΝΙΑ ΑΞΕΣΟΥΑΡ** – Αυτή η ενδεικτική λυχνία θα δείχνει την κατάσταση της όταν ο πίνακας πρόσβασης είναι ανοικτός ή κλειστός. Αυτή η ενδεικτική λυχνία θα χρησιμοποιείται μόνο αν είναι εγκατεστημένο στη μονάδα ένα φίλτρο αξεσουάρ. Αν η λυχνία είναι κόκκινη, αυτό υποδεικνύει ότι το φίλτρο χρειάζεται αντικατάσταση. Η περίοδος αντικατάστασης ποικίλλει ανάλογα με τα φίλτρα που χρησιμοποιούνται, τις ώρες χρήσης, την ποιότητα του αέρα και τον ρυθμό ροής αέρα. Για τις περιγραφές των ενδεικτικών λυχνιών αντικατάστασης φίλτρων, δείτε την ενότητα **ΕΝΔΕΙΚΤΙΚΕΣ ΛΥΧΝΙΕΣ ΑΝΤΙΚΑΤΑΣΤΑΣΗΣ ΦΙΛΤΡΩΝ**.
- 4 ΑΙΣΘΗΤΗΡΑΣ ΠΟΙΟΤΗΤΑΣ ΑΕΡΑ** – Αυτή η ενδεικτική λυχνία θα δείχνει την κατάσταση της όταν ο πίνακας πρόσβασης είναι ανοικτός ή κλειστός. Αυτή η ενδεικτική λυχνία παρακολουθεί την ποιότητα αέρα και ρυθμίζει την ταχύτητα του ανεμιστήρα για να διατηρεί καθαρό τον αέρα σας. Μπλε, πορτοκαλί και κόκκινες λυχνίες υποδεικνύουν την καθαρότητα του αέρα σας.
- 5 ΤΕΧΝΟΛΟΓΙΑ PlasmaTRUE™** – Αυτή η ενδεικτική λυχνία θα δείχνει την κατάσταση της όταν ο πίνακας πρόσβασης είναι ανοικτός ή κλειστός. Δημιουργεί ένα ιονισμένο πεδίο που βοηθά την ασφαλή απομάκρυνση των αερομεταφερόμενων μολυσματικών ουσιών. Για την ενεργοποίηση και απενεργοποίηση της ΤΕΧΝΟΛΟΓΙΑΣ PlasmaTRUE™, αγγίξτε παρατεταμένα την ενδεικτική λυχνία PLASMA. Μια μπλε λυχνία ανάβει όταν είναι ενεργοποιημένη η ΤΕΧΝΟΛΟΓΙΑ PlasmaTRUE™. Για απενεργοποίηση της ΤΕΧΝΟΛΟΓΙΑΣ PlasmaTRUE™, πιέστε παρατεταμένα την ενδεικτική λυχνία "Plasma" μέχρι να σβήσει.
- 6 ΑΥΤΟΜΑΤΗ ΚΑΤΑΣΤΑΣΗ** – Για να επιλέξετε, πατήστε και κρατήστε πατημένο το κουμπί έως ότου ανάψει το εικονίδιο. Αυτή η κατάσταση χρησιμοποιεί την τεχνολογία EnviroSmart™ για να παρακολουθεί την ποιότητα του αέρα, την κίνηση και το επίπεδο θορύβου για να ρυθμίζει την ταχύτητα του ανεμιστήρα έτσι ώστε να καθαρίζει τον αέρα σας όσο πιο γρήγορα γίνεται. Το κουμπί αυτό περιλαμβάνει επίσης την ΑΘΟΡΥΒΗ ΚΑΤΑΣΤΑΣΗ. Για να επιλέξετε, πατήστε και κρατήστε πατημένο έως ότου το κουμπί γίνει μοβ. Το μηχανήμα θα συνεχίσει να χρησιμοποιεί την τεχνολογία EnviroSmart™ αλλά μόνο τις 3 χαμηλότερες, πιο αθόρυβες από τις 5 ταχύτητες ανεμιστήρα.
- 7 ΧΕΙΡΟΚΙΝΗΤΗ ΚΑΤΑΣΤΑΣΗ** – Για να επιλέξετε, πατήστε το κουμπί έως ότου ανάψει το εικονίδιο. Αυτή η κατάσταση σας επιτρέπει να επιλέξετε μία από τις 5 ταχύτητες ανεμιστήρα και να διατηρήσετε τη μονάδα στην ταχύτητα αυτή έως ότου η ΑΥΤΟΜΑΤΗ ΚΑΤΑΣΤΑΣΗ επιλεγεί ξανά. Οι εσωτερικοί αισθητήρες δεν θα προσαρμόσουν την ταχύτητα ανεμιστήρα σε αυτήν την κατάσταση.
- 8 ΕΝΔΕΙΞΕΙΣ ΤΑΧΥΤΗΤΑΣ ΑΝΕΜΙΣΤΗΡΑ** – Ο ανεμιστήρας έχει 5 ταχύτητες και μπορεί να φτάσει μια ταχύτητα τούρμπο για να καθαρίσει την αίθουσα σε περίπτωση υψηλών επιπέδων μολυσματικών ουσιών. Ο αριθμός των φωτισμένων γραμμών υποδεικνύει την ταχύτητα ανεμιστήρα.
 

1 – αθόρυβη	4 – υψηλή
2 – χαμηλή	5 – τούρμπο
3 – μέτρια	

## ΛΕΙΤΟΥΡΓΙΑ

Ο ιονιστής λειτουργεί συνεχώς στην αυτόματη κατάσταση. Ο χρήστης μπορεί να επιλέξει την προτίμηση που θέλει να χρησιμοποιεί ο ιονιστής με βάση τη θέση ή την επιθυμητή λειτουργία του ιονιστή. Ο ιονιστής θα λειτουργεί σε ένα ελαχιστοποιημένο εύρος ταχυτήτων, χωρίς να υπερβαίνει το μέγιστο επιλεγμένο επίπεδο, για να λειτουργεί αθόρυβα ενώ καθαρίζει την αίθουσα από τις μολυσματικές ουσίες. Αφού καθαριστεί ο αέρας και δεν έχουν ενεργοποιηθεί αισθητήρες, η μονάδα μεταβαίνει στην κατάσταση εξοικονόμησης ενέργειας, για μείωση της κατανάλωσης ενέργειας και επιμήκυνση της διάρκειας ζωής των φίλτρων.

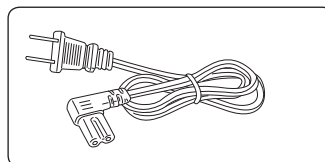
Όταν είναι επιλεγμένη η Αυτόματη κατάσταση, η ένδειξη αυτόματης κατάστασης θα είναι μπλε. Αυτή η κατάσταση χρησιμοποιεί την τεχνολογία EnviroSmart™ για να παρακολουθεί την ποιότητα του αέρα, την κίνηση και το επίπεδο θορύβου για να ρυθμίζει την ταχύτητα του ανεμιστήρα έτσι ώστε να καθαρίζει τον αέρα σας όσο πιο γρήγορα γίνεται. Αφού καθαριστεί ο αέρας και δεν έχουν ενεργοποιηθεί αισθητήρες, η μονάδα μεταβαίνει στην κατάσταση εξοικονόμησης ενέργειας, για μείωση της κατανάλωσης ενέργειας και επιμήκυνση της διάρκειας ζωής των φίλτρων.

Το μηχανήμα θα συνεχίσει να χρησιμοποιεί την τεχνολογία EnviroSmart™ αλλά μόνο τις 3 χαμηλότερες, πιο αθόρυβες από τις 5 ταχύτητες ανεμιστήρα.

Όταν είναι επιλεγμένη η Χειροκίνητη κατάσταση, η ένδειξη χειροκίνητης κατάστασης θα είναι μπλε. Αυτή η κατάσταση σας επιτρέπει να επιλέξετε μία από τις 5 ταχύτητες ανεμιστήρα και να διατηρήσετε τη μονάδα στην ταχύτητα αυτή έως ότου επιλεγεί η αυτόματη κατάσταση. Οι αισθητήρες EnviroSmart™ ΔΕΝ θα προσαρμόσουν την ταχύτητα ανεμιστήρα σε αυτήν την κατάσταση.

## ΕΓΚΑΤΑΣΤΑΣΗ

- Ανοίξτε τη μονάδα πιέζοντας τις ασφάλειες και στις δύο πλευρές.
- Αφαιρέστε την τσάντα(ες) από το φίλτρο(α) και τοποθετήστε ξανά στη μονάδα.
- Συνδέστε το βύσμα IEC στην υποδοχή καλωδίου τροφοδοσίας στο πίσω μέρος της μονάδας.



## ΦΡΟΝΤΙΔΑ ΚΑΙ ΣΥΝΤΗΡΗΣΗ

### ΚΑΘΑΡΙΣΜΟΣ:

- Καθαρίζετε το εξωτερικό περίβλημα όπως απαιτείται, σκουπίζοντάς το με ένα στεγνό, μαλακό πανί. Για τις κηλίδες να χρησιμοποιείτε ένα χλιαρό, υγρό πανί.
- Μην χρησιμοποιείτε πτητικά υγρά όπως π.χ. βενζίνη, αρωματικό χρώματος, σκόνη λείανσης ή άλλα καθαριστικά που μπορούν να καταστρέψουν την επιφάνεια της μονάδας.
- Καθαρίζετε τα ανοίγματα εισροής και εκροής σκουπίζοντάς τα με ένα στεγνό, μαλακό πανί.

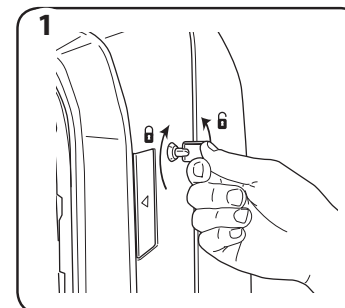
### ΕΝΔΕΙΚΤΙΚΕΣ ΛΥΧΝΙΕΣ ΑΝΤΙΚΑΤΑΣΤΑΣΗΣ ΦΙΛΤΡΩΝ:

Οι ενδεικτικές λυχνίες αντικατάστασης φίλτρων θα ανάψουν όταν θα χρειαστεί αντικατάσταση το Φίλτρο HEPA ή/και το φίλτρο Άνθρακα με Προφίλτρο. Η περίοδος αντικατάστασης ποικίλλει ανάλογα με τις ώρες χρήσης, την ποιότητα του αέρα και τον ρυθμό ροής αέρα. Ωστόσο, με την κανονική χρήση, τα περισσότερα Φίλτρα HEPA χρειάζονται αντικατάσταση κάθε 2 έτη και το φίλτρο Άνθρακα με Προφίλτρο κάθε 6 μήνες. Όταν ένα φίλτρο χρειάζεται αντικατάσταση, θα εμφανιστεί το παρακάτω χρώμα σε μία από τις ενδεικτικές λυχνίες αντικατάστασης φίλτρου, HEPA, ΑΝΘΡΑΚΑΣ ή ΑΞΕΣΟΥΑΡ:

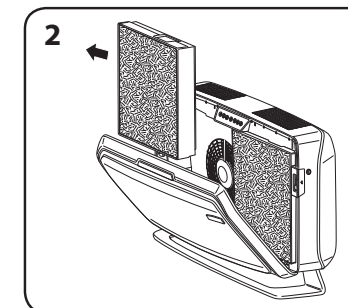
- Αναβοσβήνει κόκκινο = ΔΕΞΙΟ φίλτρο 90% πλήρες
- Αναβοσβήνει πορτοκαλί = ΑΡΙΣΤΕΡΟ φίλτρο 90% πλήρες
- Αναβοσβήνει κόκκινο, παύση, αναβοσβήνει πορτοκαλί, παύση = Δεξιό και ΑΡΙΣΤΕΡΟ φίλτρο 90% πλήρη
- Κόκκινο = Αντικαταστήστε το ΔΕΞΙΟ φίλτρο
- Πορτοκαλί = Αντικαταστήστε το ΑΡΙΣΤΕΡΟ φίλτρο
- Κόκκινο και πορτοκαλί εναλλάξ = Αντικαταστήστε και το δεξιό και το αριστερό φίλτρο

Μην πλένετε και μην επαναχρησιμοποιείτε κανένα φίλτρο - δεν θα λειτουργήσουν αποτελεσματικά. Χρησιμοποιείτε μόνο ανταλλακτικά φίλτρα της AeraMax® PRO, επειδή οι μονάδες δεν θα λειτουργήσουν με άλλα ανταλλακτικά φίλτρα.

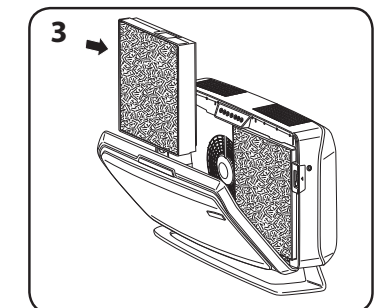
### ΔΙΑΔΙΚΑΣΙΑ ΑΝΤΙΚΑΤΑΣΤΑΣΗΣ ΦΙΛΤΡΟΥ:



Ξεκλειδώστε τον πίνακα πρόσβασης: για το ξεκλειδωμά, εισαγάγετε το παρεχόμενο κλειδί και περιστρέψτε το αριστερόστροφα κατά ¼ της στροφής.



Ανοίξτε τον μπροστινό πίνακα πιέζοντας τις ασφάλειες και στις δύο πλευρές της μονάδας. Αφήστε τον πίνακα να ανοίξει πλήρως. Αφαιρέστε το φίλτρο(α) που θα αντικατασταθεί.



Αφαιρέστε το περιτύλιγμα της συσκευασίας από το νέο φίλτρο(α) και επανεγκαταστήστε το.

### ΑΝΤΙΚΑΤΑΣΤΑΣΗ ΦΙΛΤΡΟΥ:

Κατά την εγκατάσταση ενός νέου φίλτρου, η μονάδα αυτόματα ανιχνεύει τον τύπο φίλτρου, ωστόσο, ο χρήστης θα πρέπει να επαναφέρει χειροκίνητα τις ενδεικτικές λυχνίες αντικατάστασης φίλτρων. Για να επαναφέρετε τις ενδεικτικές λυχνίες αντικατάστασης φίλτρων που αναβοσβήνουν, χρησιμοποιήστε την παρακάτω διαδικασία.

- Αγγίξτε παρατεταμένα την αναμμένη ενδεικτική λυχνία για τρία δευτερόλεπτα μέχρι να ακουστεί ένα ηχητικό σήμα και η ενδεικτική λυχνία να αναβοσβήσει πράσινη.
- Σηκώστε το δάχτυλό σας από την ενδεικτική λυχνία.
- Αγγίξτε παρατεταμένα την ενδεικτική λυχνία για τρία δευτερόλεπτα μέχρι να ακουστεί ένα ηχητικό σήμα και η ενδεικτική λυχνία να σβήσει.

**Σημείωση:** Αν δεν ολοκληρώσετε το τρίτο βήμα τρία μέσα σε 10 δευτερόλεπτα από την ολοκλήρωση του πρώτου βήματος, τότε δεν θα γίνει επαναφορά της ενδεικτικής λυχνίας.

## ΕΠΙΛΥΣΗ ΠΡΟΒΛΗΜΑΤΩΝ

ΠΡΟΒΛΗΜΑ:	ΠΙΘΑΝΗ ΛΥΣΗ:
Το σύστημα ελέγχου ποιότητας αέρα δεν ξεκινά.	<ul style="list-style-type: none"> <li>Βεβαιωθείτε ότι η μονάδα είναι συνδεδεμένη με την παροχή ρεύματος.</li> <li>Βεβαιωθείτε ότι τα φίλτρα είναι γνήσια φίλτρα AeraMax® PRO, διαφορετικά, η μονάδα δεν θα λειτουργήσει με φίλτρα άλλης επωνυμίας. ΣΗΜΑΝΤΙΚΟ: Βεβαιωθείτε ότι η περιοχή ανίχνευσης φίλτρου πάνω στο γνήσιο ανταλλακτικό φίλτρο AeraMax® PRO ευθυγραμμίζεται με το παράθυρο στο πλαίσιο φίλτρου.</li> <li>Μελετήστε την ενότητα "Επανεγκατάσταση φίλτρων" για περισσότερες λεπτομέρειες.</li> <li>Βεβαιωθείτε ότι ο μπροστινός πίνακας πρόσβασης είναι εντελώς κλειστός.</li> <li>Βεβαιωθείτε ότι ο διακόπτης ισχύος είναι στην ανοικτή θέση.</li> </ul>
Η μονάδα εκπέμπει έναν αδύναμο ήχο κτύπου.	<ul style="list-style-type: none"> <li>Αυτό υποδεικνύει ότι ο διπολικός ιονιστής "PlasmaTRUE™" λειτουργεί.</li> </ul>
Η ενδεικτική λυχνία αντικατάστασης του φίλτρου HEPA ή/και του φίλτρου Άνθρακα παραμένουν αναμμένες μετά την αντικατάσταση του φίλτρου(ων).	<ul style="list-style-type: none"> <li>Επαναλάβετε τις οδηγίες επαναφοράς των λυχνιών των φίλτρων.</li> </ul>

## TÜRKÇE

\*Kılavuzun bir kopyası için [www.aeramaxpro.com](http://www.aeramaxpro.com) adresini ziyaret edebilirsiniz.

### GÜVENLİK TALİMATLARI/UYARILAR

AeraMax® PRO AM IVS ürünü satın aldığınız için teşekkür ederiz.

Lütfen bu talimatları okuyun ve saklayın. Ürünün montaj, kurulum, çalıştırma veya bakım işlemlerinden önce dikkatle okuyun. Tüm güvenlik talimatlarına uyararak kendinizi ve diğer insanları koruyun. Bu talimatlara uymamak, yaralanmalara ve/veya maddi hasara neden olabilir. Gelecekte başvurmak üzere bu talimatları saklayın.

### HAVA TEMİZLEYİCİNİN KULLANIMI İÇİN ÖNEMLİ UYARILAR VE TALİMATLAR:

**UYARI:** Elektrik çarpması, kısa devre ve/veya yangın riskini azaltmak için bu kılavuzdaki talimatlara uymanız gerekir:

- Hava temizleyiciyi zararlı kirleticilere karşı tek başına bir koruma önlemi olarak kullanmayın.
- Bu cihazı yalnızca üretim amacı doğrultusunda kullanın. Sorularınız olursa üretici ile irtibata geçin.
- Bu kılavuzda özellikle belirtilmediği sürece üniteye onarım veya değişiklik yapmayın. Tüm onarımlar yetkili bir teknisyen tarafından yapılmalıdır.
- Bu ünitenin fişinin kutuplanma şekli gereği çubuklardan biri diğerinden daha geniştir. Fişi elektrik prizine takarken zorlamayın.
- Fiş üzerinde hiçbir şekilde değişiklik yapmayın. Fişi elektrik prizine takamazsanız ters çevirerek tekrar deneyin. Ters çevirdiğinizde de takamazsanız uygun bir priz takılması için yetkili bir teknisyene başvurun.
- Güç kablosu veya fiş hasarlıysa veya fiş prize tam oturmuyorsa üniteyi kullanmayın.
- Güç kablosuna hasar vermeyin, kabloyu kesmeyin, zorlayarak eğmeyin, çekmeyin, bükmeyin, kümelemeyin, kaplamayın, kabloda çentik açmayın veya üzerine ağır nesnelere yerleştirmeyin.
- Güç fişindeki tozu düzenli olarak temizleyin. Tozun temizlenmesi, elektrik çarpması tehlikesini artıran nem birikimini azaltır.
- Hasarlı güç fişleri, üretici veya yetkili bir teknisyen tarafından değiştirilmelidir.
- Üniteyi temizlemeden önce güç fişini prizden çıkarın. Güç fişini çıkarırken hiçbir zaman kablo tutarak çekmeyin; fişin kendisini çekin.
- Ünite kullanımda değilken güç fişini prizden çıkarın.
- Güç fişine ıslak elle dokunmayın.
- Güç kablosunu halı veya kilimlerin altından geçirmeyin.
- AeraMax® PRO hava kalitesi kontrol sistemi mutlaka topraklanmalıdır.
- Cihaz üzerinde bakım veya temizlik yapmadan önce servis panelinden gücü kapatın. Gücün başkaları tarafından kazara açılmasını önlemek için servis panelini kilitleyin veya panele bir uyarı etiketi yapıştırın.
- Yalnızca kurulumu yapılan hava temizleyici modeli için belirtilen uygun elektrik gücünü (voltaj ve frekans) kullanın.
- Hava temizleyicinin hava girişini veya çıkışını tıkamayın.
- Filtreler takılı olmadan cihazı kullanmayın.
- Filtreleri yıkamayın veya yeniden kullanmayın.
- AeraMax® PRO markasından başka bağlantılar veya filtreler kullanmayın, aksi halde cihaz çalışmayacaktır.
- Cihazın üzerine veya içine aerosol püskürtmeyin.
- Cihazı temizlemek için deterjan kullanmayın.
- Parmaklarınızı, yabancı cisimleri veya herhangi bir sıvıyı hava girişine veya çıkışına sokmayın.
- Cihazı, hava temizleme dışında bir amaçla kullanmayın.
- Güç kablosu hasar görmüşse, tehlikelerden korunmak adına üretici, servis temsilcisi veya benzer şekilde vasıflı personel tarafından kablunun değiştirilmesi gerekir.
- Çocukların cihazla oynamasına izin vermeyin.
- Bu cihaz 8 yaş ve üzeri çocuklar tarafından ve cihazın güvenli şekilde kullanımı ve mevcut tehlikelerin anlaşılması ile ilgili gözetim veya eğitim verilmişse düşük fiziksel, duyuşsal veya zihinsel yetenekleri veya tecrübe ve bilgi eksikliği olan kişiler tarafından kullanılabilir. Çocuklar bu cihazla oynamamalıdır. Gözetim olmaksızın çocuklar tarafından temizlik ve bakım yapılmamalıdır.

### ÜRÜNÜN SINIRLI GARANTİSİ

Sınırlı Garanti: Fellowes, Inc. ("Fellowes"), AeraMax® PRO hava kalitesi kontrol sisteminin ("Ürün"), aşağıda belirtilen zaman aralığı boyunca malzeme ve işçilik açısından kusursuz olacağını garanti eder.

- Sadece PC üniteleri için: Partikül sayaçları ve ekranlar Ürünün ilk satın alınma tarihinden itibaren üç (3) yıl boyunca.
- Standart üniteler ve PC üniteleri için: Diğer tüm parçalar Ürünün ilk satın alınma tarihinden itibaren beş (5) yıl boyunca. Ürünün yeni bir yapıya monte edilmesi durumunda, iskan izninin başladığı tarihte veya cihazın satın alınma tarihinden bir yıl sonra (hangisi daha erkense) başlar. Eğer garanti dönemi içinde herhangi bir parça kusurlu bulunursa, tek ve özel tazminatınız, seçme hakkı ve masrafları Fellowes'a ait olmak üzere, söz konusu parçanın onarılması veya değiştirilmesidir. Bu garanti, Fellowes onaylı olmayan filtrelerin kullanımı sonucu oluşan hasarları veya önerilen değişim takvimine uyulmamasından doğan arzuları kapsamaz. Bu garanti; kötü kullanım, yanlış kullanım, ürün kullanım standartlarına uyulmaması, cihazın yanlış (etiketinde belirtilenin dışında) güç kaynağı ile çalıştırılması veya yetkisiz kişilerce tamir edilmesi durumlarında uygulanmaz. Fellowes, Ürün'ün yetkili bir satıcı tarafından ilk olarak satıldığı ülkenin dışında parça veya servis sağlamak için maruz kaldığı ek masrafları tüketicilere borç kaydetme hakkını saklı tutar. Garanti, yedek filtreleri kapsamaz. Fellowes tarafından belirlenen servis personelinin Ürün'e erişimi sağlanamıyorsa Fellowes, bu garantinin koşullarını veya diğer servis zorunluluklarını tamamen karşılayacak şekilde müşteriye yedek parçaları veya Ürün'ün kendisini sağlama hakkını saklı tutar. SATILABİLİRLİK VE BELLİ BİR AMACA UYGUNLUK GARANTİLERİ DAHİL OLMAK ÜZERE, HER TÜRLÜ ZİMNİ GARANTİLERİN SÜRESİ, YUKARIDA BEYAN EDİLEN İLGİLİ GARANTİ DÖNEMİ İLE SINIRLIDIR. Fellowes, bu Ürün'ün kullanılması sonucunda oluşan kazara, dolaylı veya özel zararlardan hiçbir şekilde sorumlu değildir. Bu garanti size belirli yasal haklar verir. Bu garantinin süresi ve şartları, yerel yasaların gerektirebileceği sınırlamalar, kısıtlamalar veya şartlar haricinde tüm dünya genelinde geçerlidir.

### PAKET İÇERİĞİ

- AeraMax® PRO Hava Kalitesi Kontrol Sistemi
- AeraSafe™ Antimikrobiyal İşlem Görmüş Gerçek HEPA Filtresi (2 filtre)
- Ön Filtreli Aktif Karbon Filtresi (2'şer adet)
- Ön Paneli Kilitlemek için Anahtarlar (2 adet)
- Kayıt bilgileri

### TEKNİK ÖZELLİKLER

AeraMax® PRO AM IVS	
Boyutlar (Y x G x D)	49,7 x 88,1 x 22,8 cm
Sistemin Ağırlığı (filtreler dahil)	15,1 kg
Güç Gereksinimleri	220-240V, 50/60Hz, 1,4A
Güç Tüketimi (5 fan hızı)	8, 12, 18, 35, 180 watt
Hava İletimi (5 fan hızı)	260, 316, 381, 476, 748 CFM
Ses Düzeyi	42, 44, 51, 53, 68 dB
Ekran	Kapatif Dokunmatik, Yalnızca Dahili Erişim
Sensörler	EnviroSmart™
Sensör Kontrollü Çalışma Modları	2 birincil mod: Normal Mod ve Sessiz Mod
Sağlanan Filtreler	Tahmini ortalama 1 yıllık hizmet ömrüne sahip 2 adet AeraSafe™ Antimikrobiyal İşlem Görmüş Gerçek HEPA Filtresi, tahmini ortalama 6 aylık hizmet ömrüne sahip 2 adet Ön Filtreli Aktif Karbon Filtresi.
Temizleme Sistemi	Hava ile taşınan 0,3 mikron parçacıklar için nominal verimliliği %99,97 olan Yüksek Oranda Verimli Parçacık Hava (HEPA) filtresi. Karbon Filtre, kokuyu ve uçucu organik bileşenleri emer, PlasmaTRUE™ bipolar iyonlaştırıcı.

### YEDEK FİLTRELER

2" HEPA	AeraSafe™ işlem görmüş gerçek yedek HEPA filtresi. Ortalama filtre ömrü 12 - 18 ay: 9416602 - 2 paket
3/8" Karbon	Ön filtreli, tanecikli aktif yedek karbon filtresi. Ortalama filtre ömrü 6 ay: 9416502 - 4 paket
2" Karbon	Tanecikli aktif yedek karbon filtresi. Ortalama filtre ömrü 2 yıl: 9436802 - 2 paket
2" Hibrit 1"	Ön filtreli hibrit değiştirme filtresi ile birlikte True HEPA ve 1" Karbon. Ortalama filtre ömrü 1 yıl: 9436902 - 2 paket

Yedek filtreler ve aksesuarlar hakkında daha fazla bilgi için [www.aeramaxpro.com](http://www.aeramaxpro.com) adresini ziyaret edebilirsiniz.

### KULLANICIYA YÖNELİK BİLGİLER

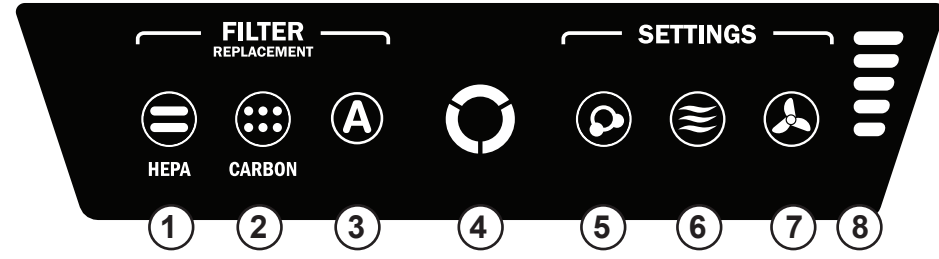
Bu ekipman, Federal İletişim Komisyonu (FCC) Esasları'nın 15. Kısmı gereğince test edilmiştir ve B Sınıfı dijital cihazlara yönelik sınırlarla uyumlu olduğu saptanmıştır. Bu sınırlar, zararlı parazite karşı koruma sağlamak için hazırlanmıştır. Bu ekipman radyo frekansı enerjisi oluşturabilir, kullanılabilir, yayabilir ve talimata uygun olarak monte edilip kullanılmadığı takdirde, radyo iletişimleriyle zararlı parazite yol açabilir. Bununla birlikte, özel bir montajda parazit oluşmayacağını garanti eder. Bu ekipman radyo veya televizyon sinyalleri ile zararlı parazite yol açarsa (ekipman kapatılıp açılarak tespit edilebilir), kullanıcı aşağıdaki yollardan birini veya daha fazlasını kullanarak paraziti düzeltmeyi deneyebilir:

- Alıcı antenin yönünü veya yerini değiştirmek
- Ekipman ile alıcı arasındaki aralığı artırmak
- Ekipmanı, alıcının bağlı olduğu devreden farklı bir devreye bağlamak.
- Yardımlar için bayiye ya da deneyimli bir radyo/TV teknisyenine danışmak.

**UYARI:** Üretici tarafından açıkça onaylanmayan tüm değişiklik ve modifikasyonlar, kullanıcının ekipmanı kullanma yetkisini ve garantiyi geçersiz kılar.



## GÖSTERGE PANELİ



NOT: Cihaz açıldığında, sistem kendi kendini kalibre ederken birkaç dakika boyunca "AQ" ışığı yanıp söner.

- HEPA FİLTRESİ DEĞİŞİM GÖSTERGESİ** – Bu gösterge, erişim paneli açık veya kapalı konumdayken filtrenin durumunu gösterir. Kırmızı ışık yanıyorsa değiştirilmesi gerekiyor demektir. Değişim periyodu kullanılan filtreye, kullanım süresine, hava kalitesine ve hava akışının hızına göre değişiklik gösterir. Filtre değişim göstergesi açıklamaları için *FİLTRE DEĞİŞİM GÖSTERGELERİ* bölümüne bakın.
- KARBON FİLTRESİ DEĞİŞİM GÖSTERGESİ** – Bu gösterge, erişim paneli açık veya kapalı konumdayken filtrenin durumunu gösterir. Kırmızı ışık yanıyorsa değiştirilmesi gerekiyor demektir. Değişim periyodu kullanılan filtreye, kullanım süresine, hava kalitesine ve hava akışının hızına göre değişiklik gösterir. Filtre değişim göstergesi açıklamaları için *FİLTRE DEĞİŞİM GÖSTERGELERİ* bölümüne bakın.
- AKSESUAR GÖSTERGESİ** – Bu gösterge, erişim paneli açık veya kapalı konumdayken aksesuarın durumunu gösterir. Gösterge yalnızca, cihaza bir aksesuar filtresi takılmışsa kullanılır. Kırmızı ışık yanıyorsa değiştirilmesi gerekiyor demektir. Değişim periyodu kullanılan filtreye, kullanım süresine, hava kalitesine ve hava akışının hızına göre değişiklik gösterir. Filtre değişim göstergesi açıklamaları için *FİLTRE DEĞİŞİM GÖSTERGELERİ* bölümüne bakın.
- HAVA KALİTESİ SENSÖRÜ** – Bu gösterge, erişim paneli açık veya kapalı konumdayken sensörün durumunu gösterir. Gösterge, hava kalitesini takip eder ve havanızı temiz tutmak için pervane hızını ayarlar. Mavi, sarı ve kırmızı ışıklar, havanızın temizliğini gösterir.
- PlasmaTRUE™ TEKNOLOJİSİ** – Bu gösterge, erişim paneli açık veya kapalı konumdayken işlevin durumunu gösterir. Hava ile taşınan kirletici parçacıklardan güvenle korunmak için iyonize edilmiş bir alan yaratır. PlasmaTRUE™ TEKNOLOJİSİ işlevini açmak veya kapatmak için, PLAZMA göstergesine dokunulur ve basılı tutulur. PlasmaTRUE™ TEKNOLOJİSİ devreye alındığında mavi bir ışık yanar. PlasmaTRUE™ TEKNOLOJİSİ işlevini devre dışı bırakmak için, ışık sönmüye kadar "Plazma" göstergesine dokunulur ve basılı tutulur.
- OTOMATİK MOD** – Seçmek için simge aydınlanana kadar düğmeyi basılı tutun. Bu modda EnviroSmart™ teknoloji ile hava kalitesi, hareket ve gürültü seviyesi takip edilerek, havanızı mümkün olduğunca çabuk temizlemek için fan hızı ayarlanır. Bu düğmenin SESSİZ MODU da vardır. Seçmek için düğme mora dönene kadar basılı tutun. Makine EnviroSmart™ kullanmaya devam eder, ancak 5 fan hızından sadece en düşük, en sessiz olan üçünü kullanır.
- MANUEL MOD** – Seçmek için simge aydınlanana kadar düğmeyi basılı tutun. Bu mod, beş fan hızından birini seçmenizi ve OTOMATİK MOD yeniden seçilene kadar ünitenin bu hızda çalışmasını sağlar. İç sensörler bu modda fan hızını ayarlamaz.
- FAN HIZI GÖSTERGELERİ** – Fanın beş hız ayarı vardır ve yüksek oranda kirletici varsa odanın havasını temizlemek için turbo hızına ulaşabilir. Çubuk sayısı fan hızını belirtir.  
1 – fısıltı                      4 – yüksek  
2 – düşük                      5 – turbo  
3 – orta

## ÇALIŞTIRMA

Hava temizleyici sürekli otomatik modda çalışır; kullanıcı, cihaz konumuna veya istenen çalışma şekline bağlı olarak istediği modu seçebilir. Hava temizleyici, odayı kirletici maddelerden temizlerken sessiz olmak adına, en aza indirgenmiş hız aralıklarında çalışır ve belirlenen maksimum düzeyi aşmaz. Hava temizlendiğinde ve hiçbir sensör aktif durumda değilken, cihaz enerji tasarrufu moduna geçer ve filtrelerin ömrünü uzatmak adına güç tüketimini azaltır.

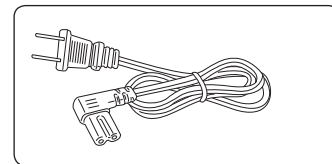
Otomatik Mod seçildiğinde, Otomatik Mod göstergesi mavi olur. Bu modda EnviroSmart™ teknoloji ile hava kalitesi, hareket ve gürültü seviyesi takip edilerek, havanızı mümkün olduğunca çabuk temizlemek için fan hızı ayarlanır. Hava temizlendiğinde ve hiçbir sensör aktif durumda değilken, cihaz enerji tasarrufu moduna geçer ve filtrelerin ömrünü uzatmak adına güç tüketimini azaltır.

Makine EnviroSmart™ kullanmaya devam eder, ancak 5 fan hızından sadece en düşük, en sessiz olan üçünü kullanır.

Manuel Mod seçildiğinde, Manuel Mod göstergesi mavi olur. Bu mod, beş fan hızından birini seçmenizi ve Otomatik Mod yeniden seçilene kadar ünitenin bu hızda çalışmasını sağlar. EnviroSmart™ sensörler bu modda fan hızını AYARLAMAZ.

## KURULUM

- Her iki taraftaki mandallara bastırarak üniteyi açın.
- Torbayı/torbalı filtreden ayırın ve ünitenin içine yerleştirin.
- IEC Fişini ünitenin arkasındaki güç kablosu yuvasına takın.



## BAKIM

### TEMİZLİK:

- Dış muhafazayı kuru, yumuşak bir bezle gerektiği şekilde temizleyin; lekeleri çıkarmak için ılık ve nemli bir bez kullanın.
- Benzen ve tiner gibi uçucu maddeleri, aşındırıcı temizlik tozlarını veya cihaz yüzeyine hasar verebilecek diğer temizleyicileri kullanmayın.
- Giriş ve çıkış menfezlerini kuru, yumuşak bir bezle silerek temizleyin.

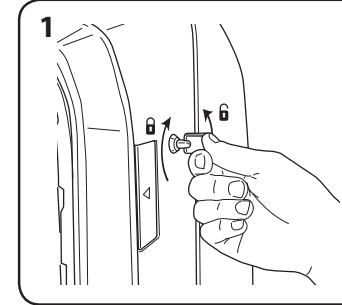
### FİLTRE DEĞİŞİM GÖSTERGELERİ:

HEPA Filtresi'nin ve/veya Ön Filtreli Karbon Filtresi'nin değiştirilmesi gerekiyorsa filtre değiştirme göstergesi yanar. Değişim periyodu kullanım süresine, hava kalitesine ve hava akışının hızına göre değişiklik gösterir. Fakat, normal kullanım koşulları altında birçok HEPA Filtresi'nin 2 yılda bir, Ön Filtreli Karbon Filtresi'nin ise 6 ayda bir değiştirilmesi gerekir. Filtre değiştirileceği zaman HEPA, KARBON veya AKSESUAR filtre değişim göstergelerindeki ışık aşağıdaki şekillerde yanar:

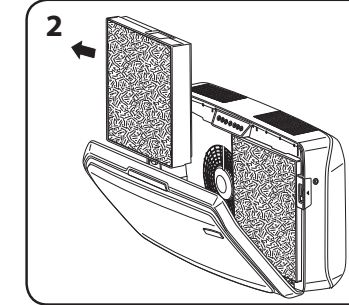
- Kırmızı Yanıp Sönüyor = SAĞ filtre %90 dolu
- Sarı Yanıp Sönüyor = SOL filtre %90 dolu
- Kırmızı Yanıp Sönüyor, Duruyor, Sarı Yanıp Sönüyor, Duruyor = SAĞ ve SOL filtreler %90 dolu
- Kırmızı Yanıyor = SAĞ filtreyi değiştirin
- Sarı Yanıyor = SOL filtreyi değiştirin
- Kırmızı ve Sarı Sırayla Yanıyor = SAĞ ve SOL filtreleri değiştirin

Filtreleri yıkayıp yeniden kullanmayın, aksi halde verimli şekilde çalışmayacaktır. Birimler diğer yedek filtrelerle çalışmayacağı için, yalnızca AeraMax® PRO marka yedek filtre kullanın.

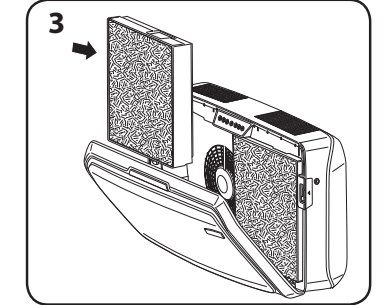
### FİLTRE DEĞİŞİM PROSEDÜRÜ:



Erişim panelinin kilidini açın: kilidi açmak için, verilen anahtarı takın ve saat yönünün tersine ¼ tur döndürün.



Cihazın iki yanındaki mandallara bastırarak ön erişim panelini açın. Panelin tamamen açılmasını sağlayın. Değiştirilecek filtreleri çıkarın.



Yeni filtreleri ambalajından çıkarın ve takın.

### FİLTRE DEĞİŞİMİ:

Yeni bir filtre takarken, cihaz filtre tipini otomatik olarak algılar, fakat kullanıcının filtre değişim göstergelerini elle sıfırlaması gerekir. Yanıp sönen filtre değişim göstergelerinden herhangi birini sıfırlamak için:

- Yanan göstergeli üç saniye boyunca basılı tutun; bir bip sesi duyulur ve gösterge yeşil yanar.
- Parmağınızı göstergeden çekin.
- Göstergeli üç saniye boyunca basılı tutun; bir bip sesi duyulur ve göstergenin ışığı söner.

**Not: Bu adımı 1. adımın tamamlanmasından sonra 10 saniye içerisinde tamamlamazsanız, gösterge ışığı sıfırlanmaz.**

## ARIZA GİDERME

SORUN:	OLASI ÇÖZÜM:
Hava kalitesi kontrol sistemi çalışmıyor.	<ul style="list-style-type: none"><li>Cihazın elektrik şebekesine bağlı olduğunu kontrol edin.</li><li>Filtrelerin orijinal AeraMax® PRO filtre olduğundan emin olun, çünkü cihaz diğer markaların filtreleriyle çalışmaz. ÖNEMLİ: Orijinal AeraMax® PRO yedek filtrenin üzerindeki denetim alanının, filtre çerçevesindeki pencereyle aynı hizada olduğunu kontrol edin.</li><li>Ayrıntılı bilgi için "Filtrelerin Yeniden Monte Edilmesi" bölümüne bakın.</li><li>Ön erişim panelinin tamamen kapalı olduğundan emin olun.</li><li>Açma/kapatma anahtarının açık konumda olduğundan emin olun.</li></ul>
Cihaz hafif bir tıkırdama sesi çıkarıyor.	<ul style="list-style-type: none"><li>Bu durum, "PlasmaTRUE™" bipolar iyonlaştırıcının çalıştığını gösterir.</li></ul>
HEPA ve/veya Karbon Filtresi değişim göstergesi, filtreleri değiştirdikten sonra sönmüyor.	<ul style="list-style-type: none"><li>Filtre ışığı sıfırlama talimatlarını tekrarlayın.</li></ul>

\*Kopii příručky naleznete na webu [www.aeramaxpro.com](http://www.aeramaxpro.com)

## BEZPEČNOSTNÍ POKYNY/VAROVÁNÍ

Děkujeme, že jste zakoupili systém AeraMax® PRO AM IVS.

Tyto pokyny si přečtěte a uschovejte. Před zahájením sestavení, instalace, provozu či údržby tohoto produktu si důkladně přečtěte pokyny. Chraňte sami sebe a ostatní dodržováním všech bezpečnostních pokynů. Nedodržení těchto pokynů může mít za následek úraz nebo škody na majetku. Uchovejte tyto pokyny pro budoucí využití.

### DŮLEŽITÁ UPOZORNĚNÍ A POKYNY PRO POUŽÍVÁNÍ ČISTIČE VZDUCHU:

**VAROVÁNÍ:** Dodržováním pokynů uvedených v této příručce snížíte riziko úrazu elektrickým proudem, zkratu nebo požáru:

- Nepoužívejte tento čistič vzduchu jako jedinou ochranu proti škodlivinám.
- Používejte toto zařízení pouze způsobem určeným výrobcem. V případě dotazů kontaktujte výrobce.
- Jednotku neopravujte ani nemodifikujte, pokud tak není konkrétně doporučeno v tomto manuálu. Veškeré opravy by měly být prováděny kvalifikovaným technikem.
- Zástrčka této jednotky je polarizovaná a jeden kolík je širší než druhý. Nezasunujte zástrčku do elektrické zásuvky silou.
- Zástrčku nijak neměňte. Pokud zástrčku do zásuvky nelze zasunout, otočte ji. Pokud do zásuvky stále nepasuje, požádejte kvalifikovaného technika, aby namontoval vhodnou zásuvku.
- Nepoužívejte, pokud jsou napájecí kabel nebo zástrčka poškozené nebo je zapojení do zásuvky příliš volné.
- Napájecí kabel nepoškozujte, nelámejte, silou neohýbejte, netahejte, nekrutě, nesvazujte, neobalujte, nemačkejte ani na něj neumísťte těžké předměty.
- Ze zástrčky napájecího kabelu pravidelně odstraňujte prach. Sníží se tak šance nashromáždění vlhkosti, která zvyšuje riziko zasažení elektrickým proudem.
- Dojde-li k poškození zástrčky napájecího kabelu, je nutné, aby ji vyměnil výrobce nebo kvalifikovaný technik.
- Než začnete jednotku čistit, vyjměte zástrčku napájecího kabelu ze zásuvky. Při vyjímání zástrčky napájecího kabelu ze zásuvky netahejte za kabel, ale uchopte zástrčku.
- Není-li jednotka v provozu, vyjměte zástrčku napájecího kabelu ze zásuvky.
- Se zástrčkou napájecího kabelu nemanipulujte mokřima rukama.
- Napájecí kabel nevedte pod koberec ani jej nezakrývejte malými koberčky.
- AeraMax® PRO Systém řízení kvality vzduchu musí být uzemněný.
- Před zahájením údržby či čištění jednotky vypněte napájení na servisním panelu. Servisní panel zamkněte nebo na něj připevněte štítek s upozorněním, aby nemohlo dojít k neúmyslnému zapnutí napájení.
- Používejte pouze takové napájení (napětí a frekvenci), které je specifikované pro instalovaný model čističe vzduchu.
- Nezakrývejte vstup a výstup vzduchu.
- Nepoužívejte zařízení bez nainstalovaných filtrů.
- Filtry neomývejte ani opakovaně nepoužívejte.
- Nepoužívejte filtry či příslušenství jiné značky než AeraMax® PRO, protože zařízení by přestalo fungovat.
- Nestříkejte na jednotku nebo do jednotky žádné aerosoly.
- K čištění jednotky nepoužívejte saponáty.
- Nevkládejte prsty, kapaliny nebo jiné cizí předměty do vstupu či výstupu vzduchu.
- Nepoužívejte zařízení k ničemu jinému než k čištění vzduchu.
- Poškozený napájecí kabel musí vyměnit výrobce, jeho servisní technik nebo jiná podobně kvalifikovaná osoba, aby nedošlo ke vzniku nebezpečí.
- Je nutné dohlížet na děti, aby si se zařízením nehrály.
- Toto zařízení mohou používat děti starší 8 let a osoby se sníženými fyzickými, smyslovými či mentálními schopnostmi nebo s nedostatkem zkušeností a znalostí za předpokladu, že budou zařízení používat pod dozorem nebo že budou poučeni o jeho bezpečném používání a rozumí rizikům, která jsou s touto činností spojena. Děti si se zařízením nesmí hrát. Děti bez dozoru nesmí zařízení čistit ani provádět uživatelskou údržbu.

## OMEZENÁ ZÁRUKA NA VÝROBEK

Omezená záruka: Společnost Fellowes, Inc. („Fellowes“) zaručuje, že systém řízení kvality ovzduší AeraMax® PRO („výrobek“) neobsahuje vady na materiálu a zpracování po dobu stanovenou níže.

- Pouze pro PC jednotky: Počítadla částic a obrazovka displeje po dobu tří (3) let od data původního zakoupení výrobku.
- Pro standardní a PC jednotky: Všechny ostatní součásti po dobu pěti (5) let od data původního zakoupení výrobku. Pokud je produkt nainstalován v novostavbě, začne záruční doba platit dnem vydání povolení k obývání nebo jeden rok od data zakoupení, podle toho, které datum nastane dříve. Pokud se v průběhu záruční doby ukáže jakákoliv část jako vadná, bude vaše jediná a výlučná forma nápravy oprava nebo výměna vadné části podle volby a na náklady společnosti Fellowes. Tato záruka se nevztahuje na škody způsobené používáním jiných filtrů než filtrů schválených společností Fellowes nebo nedodržením doporučeného harmonogramu výměn. Tato záruka se nevztahuje na případy špatného zacházení se zařízením, na jeho chybný provoz, nedodržení norem pro jeho používání, provoz zařízení s nesprávným napětím (jiným, než je uvedeno na štítku) nebo na neoprávněné opravy. Společnost Fellowes si vyhrazuje právo účtovat zákazníkům dodatečně náklady spojené s dodávkou náhradních dílů nebo servisu mimo zemi, v níž autorizovaný prodejce původně zařízení prodal. Tato záruka se nevztahuje na výměnné filtry. Pokud by tento produkt nebyl snadno přístupný určeným servisním pracovníkům společnosti Fellowes, vyhrazuje si společnost Fellowes právo dodat zákazníkovi náhradní díly nebo produkt s tím, že se bude jednat o úplné splnění závazků plynoucích z této záruky a všech servisních závazků. JAKÁKOLI PŘEDPOKLÁDANÁ ZÁRUKA, VČETNĚ ZÁRUKY PRODEJNOSTI NEBO VHODNOSTI PRO URČITÝ ÚČEL, JE TÍMTO ČASOVĚ OMEZENÁ NA VÝŠE UVEDENOU ZÁRUKNÍ DOBU. Společnost Fellowes nebude v žádném případě zodpovědná za jakékoli následné, náhodné, nepřímé či speciální škody. Tato záruka vám přiznává určená zákonná práva. Doba trvání, náležitosti a podmínky týkající se této záruky platí celosvětově, kromě případů, kde místní zákony ukládají odlišná omezení, výhrady nebo podmínky.

## OBSAH BALENÍ

- AeraMax® PRO Systém řízení kvality vzduchu
- Klíče k uzamčení předního panelu (2)
- Filtr True HEPA s antimikrobiálním zpracováním AeraSafe™ (2 filtry)
- Registrační informace
- Filtr s aktivním uhlím a s předfiltrem (2 kusy každého filtru)

## SPECIFIKACE PRODUKTU

AeraMax® PRO AM IVS	
Rozměry (v x š x h)	49,7 x 88,1 x 22,8 cm
Hmotnost systému (včetně filtrů)	15,1 kg
Požadavky na napájení	220-240 V, 50/60 Hz, 1,4 A
Příkon (5 rychlostí ventilátoru)	8, 12, 18, 35, 180 W
Dodávka vzduchu (5 rychlostí ventilátoru)	260, 316, 381, 476, 748 CFM
Hlučnost	42, 44, 51, 53, 68 dB
Displej	Kapacitní dotykový, pouze vnitřní přístup
Snímače	EnviroSmart™
Snímačem řízené provozní režimy	2 primární režimy - normální režim a tichý režim
Dodané filtry	2 filtry True HEPA s antimikrobiálním zpracováním AeraSafe™ s průměrnou životností filtru 1 rok, 2 filtry s aktivním uhlím a s předfiltrem, odhadovaná průměrná životnost filtru 6 měsíců.
Čistící systém	Účinnost filtru HEPA je 99,97 % ve vzduchu obsažených částic o velikosti 0,3 mikronů. Uhlíkový filtr pohlcuje zápach a těkavé organické sloučeniny, bipolární ionizátor PlasmaTRUE™.

## NÁHRADNÍ FILTRY

2" filtr HEPA	Náhradní filtr True HEPA s úpravou AeraSafe™. Průměrná životnost filtru je 12–18 měsíců: 9416602 – 2 v balení
3/8" uhlíkový filtr	Náhradní filtr s granulovaným aktivovaným uhlíkem a s předfiltrem. Průměrná životnost filtru je 6 měsíců: 9416502 – 4 v balení
2" uhlíkový filtr	Náhradní filtr s granulovaným aktivovaným uhlíkem. Průměrná životnost filtru je 2 roky: 9436802 – 2 v balení
2" hybridní filtr, 1"	filtr True HEPA a 1" uhlíkový filtr s náhradním hybridním předfiltrem. Průměrná životnost filtru je 1 rok: 9436902 – 2 v balení

Informace o dalších náhradních filtrech a příslušenství naleznete na webu: [www.aeramaxpro.com](http://www.aeramaxpro.com)

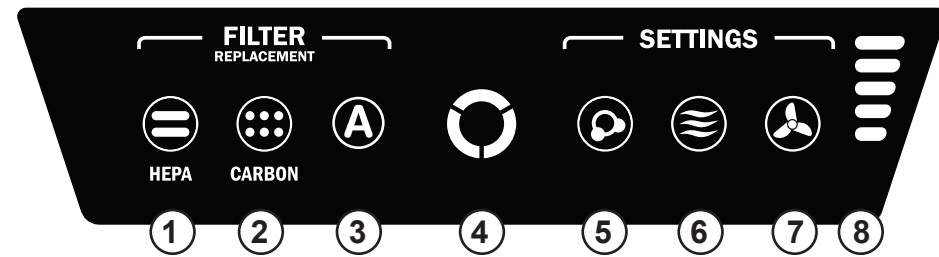
## INFORMACE PRO UŽIVATELE

Toto zařízení bylo testováno a vyhovuje omezením digitálního zařízení třídy B dle části 15 pravidel FCC. Cílem těchto omezení je zajistit přiměřenou ochranu před škodlivým rušením při instalaci zařízení. Zařízení vytváří, používá a může vyzařovat radiofrekvenční energii. Nebude-li nainstalováno a používáno v souladu s pokyny, může zapříčinit škodlivé rušení rádiové komunikace. Nelze ale zaručit, že k rušení v konkrétní instalaci nedojde. Způsobuje-li zařízení škodlivé rušení příjmu rádiového a televizního signálu, což lze zjistit zapnutím a vypnutím zařízení, doporučujeme uživateli odstranit rušení provedením některých z následujících kroků:

- Změňte orientaci nebo umístění přijímací antény.
- Zvyšte vzdálenost mezi zařízením a přijímačem.
- Připojte zařízení k zásuvce na okruhu jiném, než ke kterému je připojený přijímač.
- Poradte se s prodejcem nebo se zkušeným rádiovým/televizním technikem.

**VAROVÁNÍ:** Jakékoli změny nebo úpravy, které nebyly výslovně schváleny výrobcem, mohou mít za následek zneplatnění oprávnění uživatele používat toto zařízení a záruky.





POZNÁMKA: po zapnutí zařízení bude několik minut blikat kontrolka „AQ“ označující, že probíhá automatická kalibrace systému.

- KONTROLKA VÝMĚNY FILTRU HEPA** – Tato kontrolka udává svůj stav bez ohledu na to, jestli je přístupový panel otevřený nebo zavřený. Pokud svítí červeně, je nutné filtr vyměnit. Interval výměny se liší podle použitého filtru, doby používání, kvality vzduchu a průtoku vzduchu. Popis kontrolky výměny filtrů najdete v části **KONTROLKY VÝMĚNY FILTRU**.
- KONTROLKA VÝMĚNY UHLÍKOVÉHO FILTRU** – Tato kontrolka udává svůj stav bez ohledu na to, jestli je přístupový panel otevřený nebo zavřený. Pokud svítí červeně, je nutné filtr vyměnit. Interval výměny se liší podle použitého filtru, doby používání, kvality vzduchu a průtoku vzduchu. Popis kontrolky výměny filtrů najdete v části **KONTROLKY VÝMĚNY FILTRU**.
- KONTROLKA DOPLŇKOVÉHO FILTRU** – Tato kontrolka udává svůj stav bez ohledu na to, jestli je přístupový panel otevřený nebo zavřený. Tato kontrolka se používá, pouze pokud je v zařízení nainstalovaný doplňkový filtr. Pokud svítí červeně, je nutné filtr vyměnit. Interval výměny se liší podle použitého filtru, doby používání, kvality vzduchu a průtoku vzduchu. Popis kontrolky výměny filtrů najdete v části **KONTROLKY VÝMĚNY FILTRU**.
- SNÍMAČ KVALITY VZDUCHU** – Tato kontrolka udává svůj stav bez ohledu na to, jestli je přístupový panel otevřený nebo zavřený. Tato kontrolka udává kvalitu vzduchu a upravuje rychlost ventilátoru tak, aby byl vzduch neustále vyčištěný. Modrá, oranžová a červená barva této kontrolky udává čistotu vzduchu.
- TECHNOLOGIE PlasmaTRUE™** – Tato kontrolka udává svůj stav bez ohledu na to, jestli je přístupový panel otevřený nebo zavřený. Vytváří ionizované pole napomáhající při bezpečném odstraňování nečistot ze vzduchu. Funkci PlasmaTRUE™ TECHNOLOGY můžete zapnout nebo vypnout stisknutím a podržením kontrolky PLASMA. Když je funkce PlasmaTRUE™ TECHNOLOGY aktivovaná, rozsvítí se modrá kontrolka. Chcete-li funkci PlasmaTRUE™ TECHNOLOGY vypnout, stiskněte a podržte kontrolku „Plasma“, dokud kontrolka nezhasne.
- AUTOMATICKÝ REŽIM** – Vyberete stisknutím a přidržením tohoto tlačítka, dokud se ikona nerozsvítí. Tento režim využívá technologii EnviroSmart™ ke sledování kvality vzduchu, pohybu a hladiny hluku a upravuje rychlost ventilátoru tak, aby proběhlo co nejrychlejší vyčištění vzduchu. Toto tlačítko rovněž zahrnuje TICHÝ REŽIM. Chcete-li tento režim vybrat, tlačítko stiskněte a podržte, dokud se nezbarví fialově. Přístroj bude nadále používat technologii EnviroSmart™, ale bude využívat pouze 3 nejpomalejší a nejtichší otáčky ventilátoru z celkových 5 rychlostí.
- MANUÁLNÍ REŽIM** – Vyberete stisknutím a přidržením tohoto tlačítka, dokud se ikona nerozsvítí. Tento režim vám umožní vybrat jednu z 5 rychlostí ventilátoru a zachovat rychlost čističe vzduchu, dokud nebude znovu vybrán AUTOMATICKÝ REŽIM. V tomto režimu nebude rychlost ventilátoru regulována interními senzory.
- INDIKÁTORY RYCHLOSTI VENTILÁTORU** – Ventilátor má 5 rychlostí a v případě vysokých hladin nečistot je schopen dosáhnout vysoké rychlosti. Rychlosti ventilátoru odpovídá počet osvětlených čárek.
 

1 – tichý provoz	4 – vysoká úroveň
2 – nízká úroveň	5 – turbo úroveň
3 – střední úroveň	

## OBSLUHA

Čistič vzduchu neustále pracuje v automatickém režimu. Uživatel může zvolit způsob používání čističe na základě jeho umístění nebo požadovaného provozu. Čistič bude v průběhu čištění vzduchu v místnosti pracovat potichu v omezeném rozsahu otáček tak, aby nepřekročil maximální nastavené otáčky. Po vyčištění vzduchu, a v situaci, kdy nejsou aktivované žádné senzory, se otáčky zařízení zpomalí do úsporného režimu, který šetří energii a prodlužuje životnost filtrů.

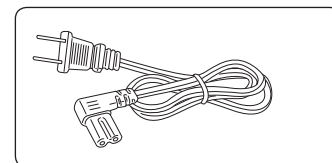
Pokud je zvolen automatický režim, kontrolka automatického režimu bude svítit modře. Tento režim využívá technologii EnviroSmart™ ke sledování kvality vzduchu, pohybu a hladiny hluku a upravuje rychlost ventilátoru tak, aby proběhlo co nejrychlejší vyčištění vzduchu. Po vyčištění vzduchu, a v situaci, kdy nejsou aktivované žádné senzory, se otáčky zařízení zpomalí do úsporného režimu, který šetří energii a prodlužuje životnost filtrů.

Přístroj bude nadále používat technologii EnviroSmart™, ale bude využívat pouze 3 nejpomalejší a nejtichší otáčky ventilátoru z celkových 5 rychlostí.

Pokud je zvolen manuální režim, kontrolka manuálního režimu bude svítit modře. Tento režim vám umožní vybrat jednu z 5 rychlostí ventilátoru a zachovat tuto rychlost, dokud nebude znovu vybrán automatický režim. V tomto režimu NEBUDE rychlost ventilátoru regulována senzory EnviroSmart™.

## SESTAVENÍ

- Otevřete zařízení stisknutím západek na obou stranách.
- Odeberte sáček(ky) z filtru(ů) a umístěte ho(je) zpět do zařízení.
- Zasuňte vidlici IEC do zásuvky pro síťový kabel na zadní straně čističe vzduchu.



## PÉČE A ÚDRŽBA

### ČIŠTĚNÍ:

- Vnější kryt čistěte podle potřeby otřením suchým, měkkým hadříkem. Na skvrny použijte teplý, vlhký hadřík.
- Nepoužívejte těkavé kapaliny, jako je benzen, ředidla, brusné pasty či jiné čisticí prostředky, které by mohly poškodit povrch zařízení.
- Vstupní a výstupní otvory čistěte otřením suchým, měkkým hadříkem.

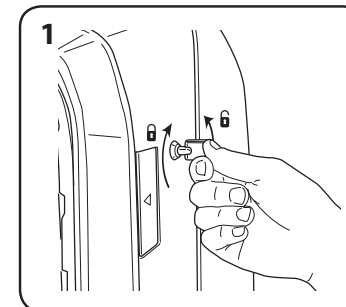
### KONTROLKY VÝMĚNY FILTRU:

Kontrolky výměny filtru signalizují, kdy je třeba vyměnit filtr HEPA nebo uhlíkový filtr s předfiltrem. Interval výměny se liší podle doby používání, kvality vzduchu a průtoku vzduchu. Za běžného používání je nutné vyměnit většinu filtrů HEPA každé dva roky a uhlíkové filtry s předfiltrem každých šest měsíců. Pokud je nutné vyměnit nějaký filtr, rozsvítí se kontrolka výměny filtru pro filtry HEPA, CARBON (uhlíkový) nebo ACCESSORY (doplňkový) následujícím způsobem:

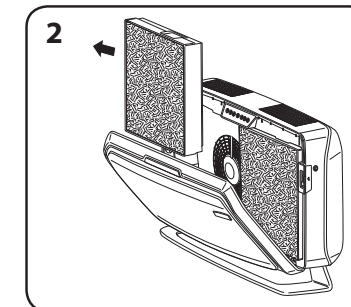
- Červené blikání = PRAVÝ filtr je z 90 % plný
- Oranžové blikání = LEVÝ filtr je z 90 % plný
- Červené blikání, pauza, oranžové blikání, pauza = PRAVÝ a LEVÝ filtr z 90 % plný
- Červená = Vyměňte PRAVÝ filtr
- Oranžová = Vyměňte LEVÝ filtr
- Střídání červené a oranžové = Vyměňte pravý i levý filtr

Filtry neomyvejte ani znovu nepoužívejte - nebudou účinné. Používejte výhradně náhradní filtry značky AeraMax® PRO, protože zařízení nebude fungovat s žádnými jinými náhradními filtry.

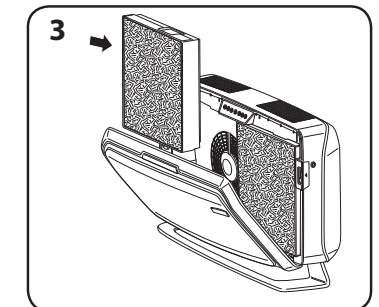
### POSTUP VÝMĚNY FILTRU:



Odemkněte přístupový panel: zasuňte dodaný klíč a otočte jím o 1/4 otáčky proti směru hodinových ručiček.



Stisknutím západek na obou stranách jednotky otevřete přední přístupový panel. Počkejte, až se panel zcela otevře. Vyjměte filtry, které chcete vyměnit.



Sejměte z nových filtrů veškeré obalové materiály a nasadte filtry na své místo.

### VÝMĚNA FILTRU:

Po nainstalování nového filtru zařízení automaticky zjistí typ filtru, ale uživatel musí ručně resetovat kontrolky výměny filtru. Blikající kontrolku výměny filtru můžete resetovat následujícím způsobem:

- Stiskněte a podržte rozsvícenou kontrolku po dobu tří sekund, dokud nezazní pípnutí a kontrolka se nerozblíká zeleně.
- Uvolněte stisknutí kontrolky.
- Stiskněte a podržte kontrolku po dobu tří sekund, dokud nezazní pípnutí a kontrolka nezhasne.

**Poznámka: Pokud neprovedete krok číslo tři do deseti sekund od provedení kroku číslo jedna, nedojde k resetování kontrolky.**

## ODSTRAŇOVÁNÍ PORUCH

PROBLÉM:	MOŽNÉ ŘEŠENÍ:
Systém řízení kvality vzduchu se nespustí.	<ul style="list-style-type: none"> <li>Zkontrolujte, jestli je zařízení připojeno ke zdroji napájení.</li> <li>Zkontrolujte, jestli jsou nainstalovány originální filtry AeraMax® PRO, protože zařízení nebude fungovat s filtry jiných značek. DŮLEŽITÉ: Zkontrolujte, jestli je oblast pro detekci filtru na originálních náhradních filtrech AeraMax® PRO zarovnána s okénkem v rámu filtru.</li> <li>Další informace najdete v kapitole „Opětovná instalace filtrů“.</li> <li>Zkontrolujte, jestli je přední přístupový panel zcela uzavřený.</li> <li>Přesvědčte se, že je tlačítko napájení zapnuté.</li> </ul>
Zařízení vydává slabý zvuk podobný tikání.	<ul style="list-style-type: none"> <li>Znamená to, že pracuje bipolární ionizátor „PlasmaTRUE™“.</li> </ul>
Po výměně filtru zůstane rozsvícená kontrolka výměny filtru HEPA nebo uhlíkového filtru.	<ul style="list-style-type: none"> <li>Zopakujte postup resetování kontrolky filtru.</li> </ul>

\*Ak chcete získať kópiu príručky, navštívte stránku [www.aeramaxpro.com](http://www.aeramaxpro.com)

## BEZPEČNOSTNÉ POKYNY/UPOZORNENIE

Ďakujeme vám za zakúpenie systému kontroly kvality vzduchu AeraMax® PRO AM IVS.

Tieto pokyny si prečítajte a odložte. Pozorne si ich prečítajte pred pokusom o montáž, inštaláciu, prevádzkovanie alebo údržbu tohto výrobku. Chráňte seba i ostatných dodržiavaním všetkých bezpečnostných pokynov. Nedodržanie pokynov môže mať za následok zranenie alebo škodu na majetku. Tieto pokyny si odložte pre budúce použitie.

### DÔLEŽITÉ VAROVANIA A POKYNY PRE POUŽÍVANIE ČISTIČA VZDUCHU:

**UPOZORNENIE:** Dodržiavajte pokyny uvedené v tejto príručke, aby ste znížili riziko zásahu elektrickým prúdom, skratu a požiaru:

- Čistič vzduchu nepoužívajte ako jedinou ochranu pred škodlivými znečisťujúcimi látkami.
- Toto zariadenie používajte len spôsobom určeným výrobcom. Ak máte otázky, obráťte sa na výrobcu.
- Zariadenie neopravujte ani neupravujte, pokiaľ to nie je výslovne odporúčané v tomto návode. Všetky opravy musí vykonávať kvalifikovaný technik.
- Zástrčka tohto zariadenia je polarizovaná s jedným širším a jedným tenším kolíkom. Zástrčku netlačte do zásuvky nasilu.
- Zástrčku žiadnym spôsobom nemeňte. Keď nemôžete zástrčku zasunúť do zásuvky, otočte ju. Ak ani potom nemôžete zasunúť zástrčku do zásuvky, obráťte sa na kvalifikovaného technika, aby namontoval správnu zásuvku.
- Zariadenie nepoužívajte, ak sú napájací kábel alebo zástrčka poškodené, alebo ak je pripojenie do zásuvky voľné.
- Napájací kábel nepoškodujte, neprelamujte, násilne neohýbajte, neťahajte, neobtáčajte, nezávážajte, neobalujte, nepritláčajte ani naň nedávajte ťažké predmety.
- Na napájacej zástrčke pravidelne utierajte prach. Obmedzte tým možnosť hromadenia vlhkosti, ktorá zvyšuje riziko úrazu elektrickým prúdom.
- V prípade poškodenia musí napájaciu zástrčku vymeniť výrobca alebo kvalifikovaný technik.
- Pred čistením zariadenia vyťahnite napájaciu zástrčku zo zásuvky. Pri vyťahovaní vždy ťahajte za napájaciu zástrčku nie za napájací kábel.
- Keď zariadenie nepoužívate, vyťahnite napájaciu zástrčku zo zásuvky.
- Nedotýkajte sa napájacej zástrčky mokrymi rukami.
- Napájací kábel nevedzte pod kobercom a neprikrývajte ho vlhkými koberčekmi.
- Systém kontroly kvality vzduchu AeraMax® PRO musí byť uzemnený.
- Pred údržbou alebo čistením zariadenia vypnite napájanie na ovládacom paneli. Ovládací panel uzamknite alebo naň pripevnite výstražný štítok, aby ste zabránili náhodnému opätovnému zapnutiu napájania.
- Používajte len elektrické napájanie (napätie a frekvenciu) špecifikované pre inštalovaný model čističa vzduchu.
- Nezakrývajte prívod ani odvod vzduchu do/z čističa vzduchu.
- Zariadenie nepoužívajte bez nainštalovaných filtrov.
- Žiadny z filtrov neumývajte ani nepoužívajte opakovane.
- Nepoužívajte nástavce ani filtre inej značky ako AeraMax® PRO, pretože zariadenie by nefungovalo.
- Na zariadenie ani do jeho vnútra nesprejajte žiadne aerosóly.
- Na čistenie zariadenia nepoužívajte čistiace prostriedky.
- Do prívodu ani odvodu vzduchu nedávajte prsty, kvapaliny ani cudzie predmety.
- Zariadenie nepoužívajte na žiadny iný účel okrem čistenia vzduchu.
- Ak je napájací kábel poškodený, musí ho vymeniť výrobca, jeho opravár alebo osoba s podobným oprávnením, aby sa predišlo prípadnému nebezpečenstvu.
- Deti by mali byť pod dozorom, aby sa so zariadením nehrali.
- Tento spotrebič môžu používať deti vo veku od 8 rokov a vyššie a osoby so zníženými fyzickými, zmyslovými alebo duševnými schopnosťami, alebo bez patričných skúseností a znalostí, pokiaľ im bol poskytnutý dohľad alebo pokyny týkajúce sa použitia spotrebiča bezpečným spôsobom a rozumejú príslušnému nebezpečenstvu. Deti sa nesmú hrať so spotrebičom. Čistenie a používateľskú údržbu nesmú vykonávať deti bez príslušného dohľadu.

## OBMEDZENÁ ZÁRUKA NA VÝROBK

Obmedzená záruka: Spoločnosť Fellowes, Inc. („spoločnosť Fellowes“) zaručuje, že systém kontroly kvality vzduchu AeraMax® PRO („výrobok“) bude bez chýb materiálu a spracovania po dobu uvedenú nižšie.

- Výhradne v prípade PC jednotiek: Počítadlá častíc a obrazovka displeja po dobu troch (3) rokov od dátumu pôvodného zakúpenia výrobku.
- V prípade štandardných a PC jednotiek: Všetky ostatné súčasti po dobu piatich (5) rokov od dátumu pôvodného zakúpenia výrobku. V prípade, že výrobok sa inštaluje na novú konštrukciu, záručná lehota začne plynúť od dátumu kolaudačného rozhodnutia alebo jeden rok po dátume zakúpenia, podľa toho, čo nastane skôr. Ak sa počas záručnej lehoty zistí akýkoľvek chybný diel, bude vaším jediným a výhradným nápravným opatrením oprava alebo výmena chybného dielu podľa uváženia spoločnosti Fellowes a na jej náklady. Táto záruka sa nevzťahuje na škody spôsobené používaním filtrov, ktoré spoločnosť Fellowes neschválila, alebo nedodržaním odporúčaných intervalov výmeny. Táto záruka neplatí v prípadoch nesprávneho použitia, nesprávnej manipulácie, nedodržania noriem používania výrobku, prevádzky s použitím nesprávneho zdroja napájania (iného než uvedeného na štítku) alebo neoprávnenej opravy. Spoločnosť Fellowes si vyhradzuje právo účtovať spotrebiteľom všetky ďalšie náklady, ktoré jej vzniknú v súvislosti s poskytnutím náhradných dielov alebo servisu mimo krajiny pôvodného predaja výrobku autorizovaným predajcom. Táto záruka sa nevzťahuje na náhradné filtre. V prípade, že výrobok nie je prístupný opravárovi určenému spoločnosťou Fellowes, spoločnosť Fellowes si vyhradzuje právo dodať zákazníkovi náhradné diely alebo výrobok, pričom budú v plnej miere splnené jej záväzky vyplývajúce z tejto záruky a všetky jej záväzky týkajúce sa servisu. KAŽDÁ VYPLÝVAJÚCA ZÁRUKA VRÁTANE ZÁRUKY PREDAJNOSTI ALEBO SPÔSOBILOSTI PRE URČITÝ ÚČEL JE TÝMTO OBMEDZENÁ NA TRVANIE PRIMERANEJ ZÁRUCNEJ LEHOTY VYSVETLENEJ TU PREDTÝM. Spoločnosť Fellowes nebude v žiadnom prípade zodpovedná za žiadne následné, vedľajšie, nepriame ani osobitné škody. Táto záruka vám poskytuje určité zákonné práva. Trvanie, ustanovenia a podmienky tejto záruky platia celosvetovo okrem prípadov, kedy miestne zákony môžu vyžadovať rôzne lehoty, obmedzenia alebo podmienky.

## OBSAH BALENIA

- Systém kontroly kvality vzduchu AeraMax® PRO
- Filter True HEPA s antimikrobiálnou úpravou AeraSafe™ (2 filtre)
- Filter s aktívnym uhlím a predfiltrom (po dvoch z každého filtra)
- Kľúče na uzamknutie predného panela (2)
- Informácie o registrácii

## TECHNICKÉ PARAMETRE VÝROBKU

AeraMax® PRO AM IVS	
Rozmery (V x Š x H)	49.7 x 88.1 x 22.8 cm
Hmotnosť systému (vrátane filtrov)	15,1 kg
Požiadavky na napájanie	220 – 240 V, 50/60 Hz, 1,4A
Príkon (5 rýchlostí ventilátora)	8, 12, 18, 35, 180 W
Prívod vzduchu (5 rýchlostí ventilátora)	260, 316, 381, 476, 748 CFM (kubické stopy za minútu)
Decibely	42, 44, 51, 53, 68 dB
Obrazovka	Kapacitná dotyková, len interný prístup
Snímače	EnviroSmart™
Prevádzkové režimy riadené snímačmi	2 primárne režimy – normálny režim a tichý režim
Dodávané filtre	2 filter True HEPA s antimikrobiálnou úpravou AeraSafe™ – odhadovaná priemerná životnosť filtra 1 rok, 2 filter s aktívnym uhlím a predfiltrom – odhadovaná priemerná životnosť filtra 6 mesiacov.
Čistiaci systém	Vysoko účinný filter vzduchových častíc HEPA s minimálnou účinnosťou 99,97 % častíc vo vzduchu s veľkosťou 0,3 mikrometra. Uhlíkový filter adsorbujúce pachy a prchavé organické zlúčeniny, bipolárny ionizátor PlasmaTRUE™.

## NÁHRADNÉ FILTRE

Dvojpalcový filter HEPA	Náhradný filter True HEPA s úpravou AeraSafe™. Priemerná životnosť filtra: 12 – 18 mesiacov: 9416602 – 2 kusy v balení
3/8palcový uhlíkový filter	Náhradný filter s granulovaným aktívnym uhlím a predfiltrom. Priemerná životnosť filtra 6 mesiacov: 9416502 – 4 kusy v balení
Dvojpalcový uhlíkový filter	Náhradný filter s granulovaným aktívnym uhlím. Priemerná životnosť filtra 2 roky: 9436802 – 2 kusy v balení
Dvojpalcový hybridný filter Hybrid, jednopalcový	filter True HEPA a jednopalcový uhlíkový filter s náhradným hybridným predfiltrom. Priemerná životnosť filtra 1 rok: 9436902 – 2 kusy v balení

Ďalšie informácie o náhradných filtroch a príslušenstve nájdete na adrese: [www.aeramaxpro.com](http://www.aeramaxpro.com)

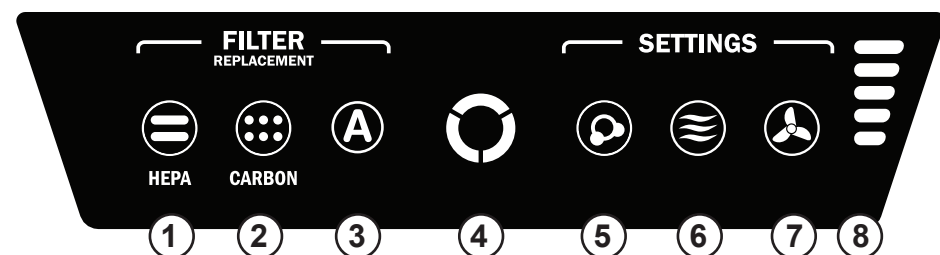
## INFORMÁCIE PRE POUŽÍVATEĽA

Toto zariadenie na základe testovania spĺňa limity pre digitálne zariadenie triedy B podľa časti 15 pravidiel FCC. Tieto limity boli vytvorené na to, aby pri používaní poskytli primeranú ochranu proti škodlivému rušeniu. Toto zariadenie vytvára, používa a môže vyžarovať elektromagnetickú energiu a ak sa nenainštaluje a nepoužíva podľa pokynov, môže spôsobovať škodlivý vplyv v rádiovkej komunikácii. Neexistuje však záruka, že k takémuto vplyvu pri konkrétnom použití nedôjde. Ak takéto zariadenie spôsobuje škodlivý vplyv v rádiovom alebo televíznom prijíme, čo sa dá zistiť vypnutím a zapnutím zariadenia, mal by používateľ takýto vplyv napraviť pomocou jedného alebo viacerých z nasledujúcich opatrení:

- Zmeniť orientáciu alebo umiestnenie prijímajúcej antény.
- Zväčšiť vzdialenosť medzi zariadením a prijímačom.
- Zapojiť zariadenie do iného okruhu ako ten, v ktorom je zapojený prijímač.
- Požiadat o pomoc predajcu alebo skúseného rádiového/televízneho technika.

**UPOZORNENIE:** Akékoľvek zmeny alebo úpravy, ktoré výslovne neschválil výrobca, môžu viesť k tomu, že používateľ nebude oprávnený používať toto zariadenie, ako aj k zániku záruky.





POZNÁMKA: po zapnutí zariadenia bude niekoľko minút blikať kontrola „AQ“, kým sa bude systém kalibrovať.

- 1 INDIKÁTOR VÝMENY FILTRA HEPA** – tento indikátor zobrazí stav pri otvorení alebo zatvorení prístupového panela. Ak je kontrolka červená, znamená to, že filter treba vymeniť. Interval výmeny sa bude meniť v závislosti od použitého filtra, dĺžky používania, kvality vzduchu a rýchlosti prietoku vzduchu. Popisy indikátorov výmeny filtra sú uvedené v časti **INDIKÁTORY VÝMENY FILTRA**.
- 2 INDIKÁTOR VÝMENY UHLÍKOVÉHO FILTRA** – tento indikátor zobrazí stav pri otvorení alebo zatvorení prístupového panela. Ak je kontrolka červená, znamená to, že filter treba vymeniť. Interval výmeny sa bude meniť v závislosti od použitého filtra, dĺžky používania, kvality vzduchu a rýchlosti prietoku vzduchu. Popisy indikátorov výmeny filtra sú uvedené v časti **INDIKÁTORY VÝMENY FILTRA**.
- 3 INDIKÁTOR PRÍSLUŠENSTVA** – tento indikátor zobrazí stav pri otvorení alebo zatvorení prístupového panela. Tento indikátor sa bude používať len v prípade, že v zariadení je nainštalovaný doplnkový filter. Ak je kontrolka červená, znamená to, že filter treba vymeniť. Interval výmeny sa bude meniť v závislosti od použitého filtra, dĺžky používania, kvality vzduchu a rýchlosti prietoku vzduchu. Popisy indikátorov výmeny filtra sú uvedené v časti **INDIKÁTORY VÝMENY FILTRA**.
- 4 SNÍMAČ KVALITY VZDUCHU** – tento indikátor zobrazí stav pri otvorení alebo zatvorení prístupového panela. Tento indikátor monitoruje kvalitu vzduchu a nastavuje rýchlosť ventilátora tak, aby bol vzduch vždy čistý. Modrá, jantárová a červená kontrolka indikujú čistotu vzduchu.
- 5 TECHNOLOGIA PlasmaTRUE™** – tento indikátor zobrazí stav pri otvorení alebo zatvorení prístupového panela. Táto technológia vytvára ionizované pole, ktoré pomáha bezpečne odstraňovať znečisťujúce látky zo vzduchu. Technológiu PlasmaTRUE™ môžete zapnúť a vypnúť tak, že sa dotknete indikátora PLASMA a podržíte ho. Keď je technológia PlasmaTRUE™ zapnutá, rozsvieti sa modrá kontrolka. Ak chcete technológiu PlasmaTRUE™ vypnúť, stlačte a podržte indikátor PLASMA, kým kontrolka nezhasne.
- 6 AUTOMATICKÝ REŽIM** – Tento režim vyberiete stlačením a podržaním príslušného tlačidla, kým sa nerozsvieti ikona. Tento režim používa technológiu EnviroSmart™ na monitorovanie kvality vzduchu, pohyb a úroveň hluku a podľa toho nastavuje rýchlosť ventilátora tak, aby sa vzduch čistil čo najrýchlejšie. Toto tlačidlo tiež zahŕňa TICHÝ REŽIM. Ak ho chcete vybrať, stlačte a podržte tlačidlo, kým sa nerozsvieti napurpurovo. Zariadenie bude aj naďalej používať EnviroSmart™, ale využívať bude len 3 najnižšie, najtichšie rýchlosti z 5 rýchlostí ventilátora.
- 7 REŽIM RUČNÉHO NASTAVENIA** – Tento režim vyberiete stlačením príslušného tlačidla, kým sa nerozsvieti ikona. Tento režim umožňuje vybrať jednu z 5 rýchlostí ventilátora, pričom zariadenie udržiava pri tejto rýchlosti ventilátora, kým sa znova nenastaví AUTOMATICKÝ REŽIM. V tomto režime interné snímače nebudú nastavovať rýchlosť ventilátora.
- 8 KONTROLKY RÝCHLOSTI VENTILÁTORA** – Ventilátor disponuje 5 rýchlosťami, pričom v prípade vysokej úrovne znečisťujúcich látok môže ventilátor dosiahnuť rýchlosť „turbo“, aby sa miestnosť vyčistila. Počet rozsvietených čiarok označuje rýchlosť ventilátora.

- |                    |            |
|--------------------|------------|
| 1 – veľmi nízka    | 4 – vysoká |
| 2 – nízka          | 5 – turbo  |
| 3 – stredne vysoká |            |

## OBSLUHA

Čistič vzduchu nepretržite pracuje v automatickom režime. Používateľ môže vybrať požadovaný spôsob používania čističa v závislosti od miesta alebo požadovanej prevádzky čističa vzduchu. Čistič bude pracovať v rámci minimalizovaného rozsahu rýchlostí a neprekročí vybranú maximálnu úroveň, aby pri čistení znečisťujúcich látok z miestnosti pracoval potichu. Keď je vzduch vyčistený a nie sú aktivované žiadne snímače, zariadenie prejde do úsporného režimu, aby sa znížila spotreba energie a predĺžila životnosť filtrov.

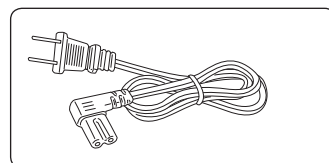
Ak ste si zvolili automatický režim, kontrolka automatického režimu sa rozsvieti na modro. Tento režim používa technológiu EnviroSmart™ na monitorovanie kvality vzduchu, pohyb a úroveň hluku a podľa toho nastavuje rýchlosť ventilátora tak, aby sa vzduch čistil čo najrýchlejšie. Keď je vzduch vyčistený a nie sú aktivované žiadne snímače, zariadenie prejde do úsporného režimu, aby sa znížila spotreba energie a predĺžila životnosť filtrov.

Zariadenie bude aj naďalej používať EnviroSmart™, ale využívať bude len 3 najnižšie, najtichšie rýchlosti z 5 rýchlostí ventilátora.

Ak ste si zvolili režim ručného nastavenia, kontrolka automatického režimu sa rozsvieti na modro. Tento režim umožňuje vybrať jednu z 5 rýchlostí ventilátora, pričom zariadenie udržiava pri tejto rýchlosti ventilátora, kým sa nenastaví automatický režim. V tomto režime NEBUDÚ snímače EnviroSmart™ nastavovať rýchlosť ventilátora.

## INŠTALÁCIA

- Otvorte zariadenie stlačením ističov na oboch stranách.
- Odoberte vrecko(á) z filtra(ov) a vložte ho(ich) do zariadenia.
- Zástrčku IEC zasunúť do zásuvky prívodného kábla v zadnej časti zariadenia.



## STAROSTLIVOSŤ A ÚDRŽBA

### ČISTENIE:

- Vonkajší kryt čistite podľa potreby utretím suchou jemnou tkaninou. Na škrvny použite teplú navlhčenú tkaninu.
- Nepoužívajte prchavé kvapaliny, ako je napríklad benzén, riedidlo alebo prášok na riad, ani iné čistiace prostriedky, ktoré môžu poškodiť povrch zariadenia.
- Otvory na prívod a odvod vzduchu čistite utretím suchou jemnou tkaninou.

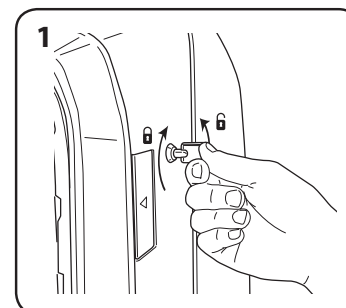
### INDIKÁTORY VÝMENY FILTRA:

Indikátory výmeny filtra signalizujú nutnosť výmeny filtra HEPA alebo uhlíkového filtra s predfiltrom. Interval výmeny sa bude meniť v závislosti od dĺžky používania, kvality vzduchu a rýchlosti prietoku vzduchu. Pri bežnom používaní však väčšinu filtrov HEPA treba vymeniť každé 2 roky a uhlíkový filter s predfiltrom každých 6 mesiacov. Keď je potrebná výmena filtra, na indikátore výmeny filtra HEPA, CARBON (Uhlíkový) alebo ACCESSORY (Príslušenstvo) sa zobrazí nasledujúca farba:

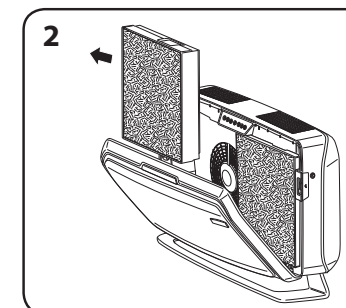
- červená bliká = PRAVÝ filter je z 90 % plný
- oranžová bliká = ĽAVÝ filter je z 90 % plný
- červená blikne, pauza, oranžová blikne, pauza = PRAVÝ a ĽAVÝ filter sú z 90 % plné
- červená = Vymeňte PRAVÝ filter
- oranžová = Vymeňte ĽAVÝ filter
- červená a oranžová striedavo = Vymeňte PRAVÝ i ĽAVÝ filter

Žiadny z filtrov neumývajte ani nepoužívajte opakovane – nebude účinný. Používajte len náhradné filtre značky AeraMax® PRO, pretože v prípade použitia ktoréhokoľvek iného náhradného filtra nebude zariadenie fungovať.

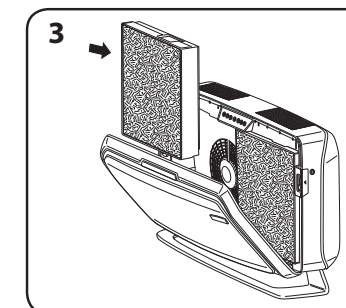
### POSTUP PRI VÝMENE FILTROV:



Odomknite prístupový panel zasunutím dodaného kľúča a jeho otočením o ¼ otáčky proti smeru hodinových ručičiek.



Otvorte predný prístupový panel zatlačením západiek na oboch stranách zariadenia. Panel úplne otvorte. Vyberte filtre, ktoré chcete vymeniť.



Z nových filtrov odstráňte všetky obaly a filtre nainštalujte.

### VÝMENA FILTRA:

Po nainštalovaní nového filtra zariadenie automaticky zistí typ filtra, ale používateľ musí manuálne vynulovať indikátory výmeny filtra. Blikajúce indikátory výmeny filtra vynulujete nasledovne:

- Dotknite sa svietiaceho indikátora a tri sekundy ho podržte, kým sa neozve pípnutie a indikátor nezačne na zeleno blikáť.
- Uvoľnite prst z indikátora.
- Dotknite sa indikátora a tri sekundy ho podržte, kým sa neozve pípnutie a kontrolka indikátora nezhasne.

**Poznámka: Ak tretí krok nedokončíte do 10 sekúnd od dokončenia prvého kroku, kontrolka indikátora sa nevynuluje.**

### ODSTRANOVANIE PORÚCH

PROBLÉM:	MOŽNÉ RIEŠENIE:
Systém kontroly kvality vzduchu sa nespustil.	<ul style="list-style-type: none"> <li>Skontrolujte, či je zariadenie pripojené k zdroju napájania.</li> <li>Uistite sa, že používate originálne filtre AeraMax® PRO, pretože zariadenie nebude s inými značkami fungovať. DÔLEŽITÉ: Uistite sa, že miesto na kontrolu filtra na náhradnom filtri AeraMax® PRO je zarovnané s okienkom v ráme na filtre.</li> <li>Ďalšie podrobnosti nájdete v časti „Opätovná inštalácia filtrov“.</li> <li>Uistite sa, že predný prístupový panel je úplne zatvorený.</li> <li>Skontrolujte, či je hlavný vypínač zapnutý.</li> </ul>
Zariadenie vydáva tichý tikajúci zvuk.	<ul style="list-style-type: none"> <li>Znamená to, že pracuje bipolárny ionizátor PlasmaTRUE™.</li> </ul>
Po výmene filtra zostala svietiť kontrolka indikátora výmeny filtra HEPA alebo uhlíkového filtra.	<ul style="list-style-type: none"> <li>Zopakujte postup pri vynulovaní kontrolky filtra.</li> </ul>

\*A kézikönyv másolatának megszerzése érdekében látogassa meg a [www.aeramaxpro.com](http://www.aeramaxpro.com) webhelyet

## BIZTONSÁGI UTASÍTÁSOK/FIGYELMEZTETÉS

Köszönjük, hogy az AeraMax® PRO AM IVS termék megvásárlása mellett döntött.

Kérjük, olvassa el és őrizze meg ezeket az utasításokat. A termék összeszerelésének, beszerelésének, működtetésének vagy karbantartásának megkísérlése előtt olvassa el figyelmesen ezt a dokumentumot. Védje saját magát és másokat azzal, hogy eleget tesz az összes biztonsági tájékoztatásnak. A jelen utasítások figyelmen kívül hagyása személyi sérülést és/vagy anyagi kárt okozhat. Tartsa meg az utasításokat jövőbeni hivatkozásra.

### FONTOS ÓVINTÉZKEDÉSEK ÉS UTASÍTÁSOK A LÉGTISZTÍTÓ HASZNÁLATÁHOZ:

**FIGYELMEZTETÉS:** Kövesse a jelen kézikönyvben található utasításokat, mivel így csökkenti az áramütés, rövidzárlat és/vagy tüzeset kockázatát:

- Jelen légtisztítót ne kizárólagos védelmi eszközként alkalmazza a káros szennyező anyagokkal szemben.
- Jelen egységet kizárólag a gyártó által meghatározott célra használja. Kérdések felmerülése esetén vegye fel a kapcsolatot a gyártóval.
- Az egységen ne végezzen semmilyen, jelen kézikönyvben kifejezetten nem javasolt javítást vagy módosítást. Minden javítási munkát szakképzett technikusnak kell végeznie.
- Az egység polarizált csatlakozóval rendelkezik, az egyik érintkező vastagabb a másiknál. Ne erőltesse a csatlakozót elektromos dugaljba.
- A csatlakozón semmilyen módosítást ne hajtson végre. Ha a csatlakozó nem illeszkedik a dugaljba, fordítsa meg a csatlakozót. Ha így sem illeszkedik, vegye fel a kapcsolatot egy szakképzett technikussal egy megfelelő dugalj beszerelése céljából.
- Ne használja a terméket, amennyiben a tápkábel vagy a csatlakozó sérült, vagy ha a csatlakozó nem érintkezik biztosan a fali dugaljban.
- Vigyázzon, hogy a tápkábelt ne sértse vagy törje meg, ne hajlítsa meg erőteljesen, ne húzza meg, ne tekerje meg vagy fel, ne lássa el burkolattal, és ne szorítsa össze, illetve ne helyezzen nehéz tárgyakat a tápkábelre.
- Időnként távolítsa el a port a tápcsatlakozóról. Így csökken a lehetséges nedvesség felgyülemelésének, ami növeli az áramütés veszélyét.
- A tápcsatlakozót cseréltesse ki a gyártóval vagy szakképzett technikussal, ha megsérült.
- Az egység tisztítása előtt húzza ki a tápcsatlakozót a dugaljából. A tápcsatlakozó dugaljából való kihúzásakor mindig a csatlakozót fogja meg, ne a kábelt.
- Húzza ki a tápcsatlakozót a dugaljából, ha nem használja az egységet.
- Ne nyúljon a tápcsatlakozóhoz nedves kezekkel.
- Ne vezesse el a tápkábelt szőnyegek alatt, illetve ne helyezzen a tápkábelre kis méretű szőnyegeket.
- Az AeraMax® PRO légtisztító rendszert kötelező földelésre kötni.
- Az egység szervizelése vagy tisztítása előtt kapcsolja ki a tápellátást a szervizpanelnél. Zárja le a szervizpanel vagy helyezzen el egy figyelmeztető címkét, hogy megakadályozza az egység tápellátásának véletlenszerű visszakapcsolását.
- Kizárólag a beszerelt légtisztító modell számára meghatározott elektromos tápellátást (feszültség és frekvencia) alkalmazza.
- Ne torlaszolja el a légtisztító bemeneti vagy kimeneti nyílásait.
- Ne használja beszerelt szűrők nélkül.
- Ne mossa ki és használja újra a szűrőket.
- Ne használjon nem az AeraMax® PRO márkához tartozó kiegészítőket vagy szűrőket, mivel ezekkel az egység nem működik.
- Ne fújjon aeroszol részecskéket az egységre vagy az egységbe.
- Ne használjon tisztítószert az egység tisztításához.
- Ne helyezze ujját, folyadékot vagy idegen tárgyakat a levegő bemeneti vagy kimeneti nyílásokba.
- Ne alkalmazza az egységet légtisztításon kívül egyéb célokra.
- Sérült tápvezeték esetén ezt a gyártónak, szerviz szakemberének vagy egyéb szakképzett személynek cserélnie kell a veszélyek elkerülése érdekében.
- A gyermekek felügyeletre szorulnak annak biztosítása érdekében, hogy nem játszanak a készülékkel.
- A készüléket 8 éves vagy annál idősebb gyerekek, valamint mozgásukban korlátozott és csökkent érzékszervi vagy mentális képességgel élők, illetve a készülék használatára vonatkozó tudással és gyakorlattal nem rendelkező személyek nem használhatják, kivéve, ha a felügyeletük biztosított vagy a biztonságukért felelős személytől a készülék biztonságos használatára vonatkozóan utasítást kaptak és megértik a használattal járó veszélyeket. Ügyelni kell arra, hogy a gyerekek ne játszanak a készülékkel. A készülék tisztítását és karbantartását gyermekek csak felügyelet mellett végezhetik.

## A KÉSZÜLÉKRE VONATKOZÓ KORLÁTOZOTT JÓTÁLLÁS

Korlátozott jótállás: A Fellowes, Inc. (a továbbiakban „Fellowes”) garantálja, hogy az AeraMax® PRO légtisztító rendszer (a továbbiakban a „Termék”) mentes az anyagbeli vagy gyártási hibáktól az alább megjelölt időtartamig.

- Kizárólag a PC egységekre: A részecskeszámológókra és a megjelenítő képernyőre a Termék eredeti megvásárlásának napjától számított 3 (három) évre.
- A standard és PC egységekre: Minden más alkatrészre a Termék eredeti megvásárlásának napjától számított 5 (öt) évre. Amennyiben a Termék új építménybe kerül beszerelésre, a jótállási időszak a lakhatási engedély dátumától vagy a vásárlás után egy évvel veszi kezdetét, a korábbi dátumot figyelembe véve. Ha a jótállási időszak alatt bármely alkatrész meghibásodik, az Ön egyedüli és kizárólagos jogorvoslat a hibás alkatrész javítására vagy cseréjére korlátozódik a Fellowes belátása szerint és az ő költségére. Jelen jótállás nem terjed ki a Fellowes által jóvá nem hagyott szűrők használata vagy a javasolt csereperiódus figyelmen kívül hagyása okozta meghibásodásokra. Ez a jótállás nem érvényes helytelen kezelés, megrongálás, a termék normál használatának be nem tartása, nem megfelelő tápellátással történő (a címkén lévő értéktől eltérő) használat, illetve illetéktelen javítás esetére. A Fellowes fenntartja a jogot, hogy számlát állítson ki a vásárlónak a Fellowesnél felmerült kiegészítő költségeikért, ha az alkatrészeket és a javítást a Termék értékesítésének eredeti országától eltérő országban kellett biztosítani. Jelen jótállás nem terjed ki a cserélhető szűrőkre. Amennyiben a Termék nem érhető el a kijelölt Fellowes szervizszemélyzet számára, a Fellowes fenntartja a jogot, hogy az ügyfélnek biztosítsa a cserealkatrészeket vagy Terméket, és ezzel teljes mértékben teljesítve jelen jótállásban vállalt kötelezettségeket vagy bármely egyéb szerviz kötelezettséget. A FORGALOMBA HOZHATÓSÁGRA, ILLETVE AZ ADOTT CÉLRA VALÓ ALKALMASSÁGRA VONATKOZÓ RÁUTALÓ MAGATARTÁSSAL VÁLLALT JÓTÁLLÁS A FENT MEGÁLLAPÍTOTT JÓTÁLLÁSI IDŐSZAK IDŐTARTAMÁRA KORLÁTOZÓDIK. A Fellowes semmilyen esetben sem felelős az ennek a terméknek tulajdonítható következményi, járulékos, közvetlen vagy különleges károkért. Ez a jótállás bizonyos jogokat biztosít Önnek. A jótállási időtartama és feltételei az egész világra kiterjednek, azokat a helyeket kivéve, ahol a helyi törvények különböző korlátozásokat, megszorításokat vagy feltételeket tesznek szükségessé.

## CSOMAG TARTALMA

- AeraMax® PRO légtisztító rendszer
- AeraSafe™ antimikrobiális kezelésen átesett valódi HEPA szűrő (2 szűrő)
- Aktivált szén-szűrő előszűrővel (mindegyik szűrőből 2)
- Kulcs elülső panel lezárásához (2)
- Regisztrációs tájékoztató

## TERMÉKJELLEMZŐK

AeraMax® PRO AM IVS	
Méreték (Ma x Sz x Mé)	49,7 x 88,1 x 22,8 cm
Rendszer tömege (szűrőkkel együtt)	33,3 font / 15,1 kg
Teljesítménykövetelmény	220-240 V, 50/60 Hz, 1,4A
Energiafogyasztás (5 ventilátorsebesség)	8, 12, 18, 35, 180 watt
Szállított légmennyiség (5 ventilátorsebesség)	260, 316, 381, 476, 748 köbláb/perc
Decibel értékek	42, 44, 51, 53, 68 dB
Kijelző	Kapacitív, érintésérzékeny, kizárólag belülről elérhető
Érzékelők	EnviroSmart™
Érzékelők által vezérelt üzemmódok	2 elsődleges üzemmód: normál üzemmód és csendes üzemmód
Mellékelt szűrők	2 darab AeraSafe™ antimikrobiális kezelésen átesett valódi HEPA szűrő 1 éves becsült átlagos szűrőélettartammal, 2 aktivált szén-szűrő előszűrővel, becsült átlagos szűrőélettartama 6 hónap.
Tisztítási rendszer	Nagy hatékonyságú levegő részecskeszűrő (High Efficiency Particulate Air - HEPA), melynek névleges hatékonysága 99,97% a levegőben található 0,3 mikron méretű részecskékkal szemben. A szén-szűrő megköti a szagokat és az illékony szerves anyagokat, PlasmaTRUE™ bipoláris ionizáló.

## CSERESZŪRŐK

2 hüvelykes HEPA	Valódi HEPA csereszűrő AeraSafe™ kezeléssel. Átlagos szűrőélettartam 12–18 hónap: 9416602 – 2 darabos csomag
3/8 hüvelykes szén	Granuláris aktivált csere szén-szűrő előszűrővel. Átlagos szűrőélettartam 6 hónap: 9416502 – 4 darabos csomag
2 hüvelykes szén	Granuláris aktivált csere szén-szűrő. Átlagos szűrőélettartam 2 év: 9436802 – 2 darabos csomag
2 hüvelykes hibrid 1 hüvelykes	Valódi HEPA és 1 hüvelykes szén-szűrő hibrid csereszűrővel. Átlagos szűrőélettartam 1 év: 9436902 – 2 darabos csomag

További csereszűrőkre és kiegészítőkre vonatkozó tájékoztatás ügyében látogassa meg a következő webhelyet: [www.aeramaxpro.com](http://www.aeramaxpro.com)

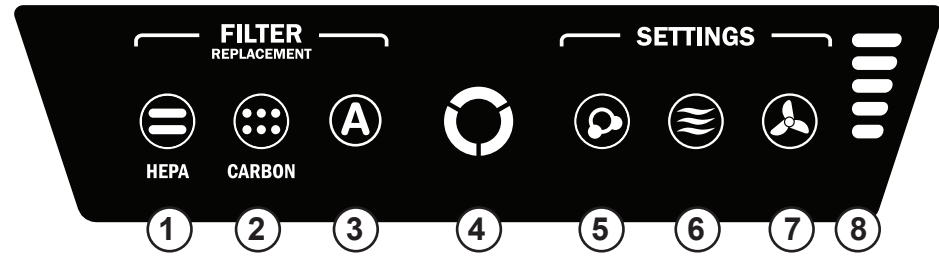
## FELHASZNÁLÓI TÁJÉKOZTATÁS

A berendezés a vizsgálatok alapján megfelel az FCC szabályok 15. részében a „B” osztályú digitális eszközökre vonatkozóan megfogalmazott határértékeknek. A határértékek megállapítása az alapján történt, hogy elfogadható védelmet nyújtson a berendezés működéséből származó káros interferenciák ellen. A berendezés rádiófrekvenciás energiát állít elő, használ és sugározhat, és ha nem az utasításoknak megfelelően került beszerelésre és használatra, akkor káros interferenciákat okozhat a rádiós kommunikációban. Mindazonáltal, nincs garancia arra, hogy nem fordulhat elő ilyen interferencia egy adott beszerelés esetén. Ha a berendezés ki- és bekapcsolással meghatározható interferenciát okoz a rádió vagy televízió adásainak vételében, akkor a felhasználónak meg kell próbálnia a zavarás elhárításával az alábbiak szerint:

- Állítsa a vevőantennát más irányba, vagy helyezze át azt.
- Növelje a berendezés és a vevőkészülék közötti távolságot.
- Csatlakoztassa a berendezést a vevőkészülékeltől eltérő áramkörre.
- Kérje a viszonteladó vagy egy tapasztalt rádió/TV technikus segítségét.

**FIGYELMEZTETÉS:** A gyártó által kifejezetten jóvá nem hagyott bármely változtatás vagy módosítás semmissé teheti a felhasználó termékhasználati jogát vagy a jótállást.





MEGJEGYZÉS: Az egység bekapcsolását követően az „AQ” jelzőfény villog pár percig, amíg a rendszer kalibrálja saját magát.

- HEPA-SZŰRŐCSERE JELZŐ** – Ennek a jelzőnek az állapota látható egyaránt nyitott és zárt hozzáférési panel esetén. Vörös jelzőfény esetén indokolt a szűrőcsere. A csereidőszak a használt szűrők, az üzemi órák, a légminőség és a légáramlási sebesség függvényében változik. A szűrőcsere jelzők magyarázata megtalálható a SZŰRŐCSERE JELZŐK részben.
- SZÉNSZŰRŐCSERE JELZŐ** – Ennek a jelzőnek az állapota látható egyaránt nyitott és zárt hozzáférési panel esetén. Vörös jelzőfény esetén indokolt a szűrőcsere. A csereidőszak a használt szűrők, az üzemi órák, a légminőség és a légáramlási sebesség függvényében változik. A szűrőcsere jelzők magyarázata megtalálható a SZŰRŐCSERE JELZŐK részben.
- KIEGÉSZÍTŐ JELZŐ** – Ennek a jelzőnek az állapota látható egyaránt nyitott és zárt hozzáférési panel esetén. Ez a jelző kizárólag abban az esetben van használatban, amennyiben az egységnek részét képezi egy beszerelt kiegészítő szűrő. Vörös jelzőfény esetén indokolt a szűrőcsere. A csereidőszak a használt szűrők, az üzemi órák, a légminőség és a légáramlási sebesség függvényében változik. A szűrőcsere jelzők magyarázata megtalálható a SZŰRŐCSERE JELZŐK részben.
- LÉGMINŐSÉG ÉRZÉKELŐ** – Ennek a jelzőnek az állapota látható egyaránt nyitott és zárt hozzáférési panel esetén. Ez a jelző a légminőséget figyeli, és ennek függvényében szabályozza a ventilátorsebességet, hogy tisztán tartsa a levegőt. Kék, sárga és piros színek jelzik a levegő tisztasági szintjét.
- PlasmaTRUE™ TECHNOLOGIA** – Ennek a jelzőnek az állapota látható egyaránt nyitott és zárt hozzáférési panel esetén. Ionizált mezőt hoz létre, így segíti a levegőben található káros anyagok biztonságos eltávolítását. A PlasmaTRUE™ TECHNOLOGIA ki- és bekapcsolásához nyomja meg és tartsa lenyomva a PLAZMA jelzőt. Kék fény látható, amikor a PlasmaTRUE™ TECHNOLOGIA be van kapcsolva. A PlasmaTRUE™ TECHNOLOGIA kikapcsolásához nyomja meg és tartsa lenyomva a „Plasma” jelzőt, míg a fény kialszik.
- AUTOMATA ÜZEMMÓD** – Ennek kiválasztásához tartsa nyomva a gombot mindaddig, amíg az ikon világítani nem kezd. Ez az üzemmód az EnviroSmart™ technológia használatával figyeli a légminőséget, a légmozgást és a zajszintet, és ezek figyelembevételével szabályozza a ventilátorsebességet, hogy a lehető leggyorsabban megtisztítsa a levegőt. Ez a gomb használatos a CSENDES ÜZEMMÓDHOZ is. A használatához nyomja meg és tartsa lenyomva, amíg a gomb lilára nem vált. A készülék továbbra is használja az EnviroSmart™ technológiát, de az 5 ventilátorsebesség közül csak a 3 legalacsonyabbat, legcsendesebbet alkalmazza.
- KÉZI ÜZEMMÓD** – Ennek kiválasztásához tartsa nyomva a gombot mindaddig, amíg az ikon világítani nem kezd. Ebben az üzemmódban választhat a ventilátor 5 sebesség-fokozata közül, és azon a sebességen tarthatja a gépet, amíg újból AUTOMATA ÜZEMMÓDRA nem vált. A belső érzékelők ebben az üzemmódban nem állítanak a ventilátor sebességén.
- VENTILÁTORSEBESSÉG-JELZŐK** – A ventilátornak 5 sebességi fokozata van, és magas szennyezettségi szint esetén az elérhető legnagyobb fokozatba kapcsolhat a helyiség levegőjének megtisztítása érdekében. A világító sávok száma jelzi a ventilátor sebességét.
 

1 – halk	4 – nagy
2 – kicsi	5 – legnagyobb
3 – közepes	

## ÜZEMELTETÉS

A légtisztító folyamatosan automatikus üzemmódban működik. A felhasználó kiválaszthatja, milyen beállításokat kíván használni a légtisztító elhelyezkedése és kívánt működése függvényében. A légtisztító a legszűkebb sebességtartományban dolgozik, nem haladja meg a beállított maximális szintet, így csendesen tisztítja meg a helyiséget a szennyező anyagoktól. A légtisztítást követően, és ha egyetlen érzékelő se kapcsol be, az egység energiatakarékos üzemmódba kapcsol, így csökkentve az energiafogyasztást és növelve a szűrők élettartamát.

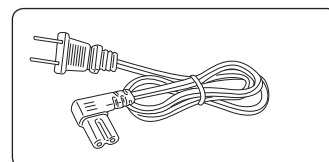
Az Automata üzemmód kiválasztásakor az Automata üzemmód jelzője kéken világít. Ez az üzemmód az EnviroSmart™ technológia használatával figyeli a légminőséget, a légmozgást és a zajszintet, és ezek figyelembevételével szabályozza a ventilátorsebességet, hogy a lehető leggyorsabban megtisztítsa a levegőt. A légtisztítást követően, és ha egyetlen érzékelő se kapcsol be, az egység energiatakarékos üzemmódba kapcsol, így csökkentve az energiafogyasztást és növelve a szűrők élettartamát.

A készülék továbbra is használja az EnviroSmart™ technológiát, de az 5 ventilátorsebesség közül csak a 3 legalacsonyabbat, legcsendesebbet alkalmazza.

A Kézi üzemmód kiválasztásakor a Kézi üzemmód jelzője kéken világít. Ebben az üzemmódban választhat a ventilátor 5 sebesség-fokozata közül, és azon a sebességen tarthatja a gépet, amíg újból automata üzemmódra nem vált. Az EnviroSmart™-érzékelők ebben az üzemmódban NEM állítanak a ventilátor sebességén.

## BEÁLLÍTÁS

- Az egység kinyitásához nyomja meg a kétoldalt található reteszeket.
- A szűrő(k)ből vegye ki a zsáko(ka)t, és helyezze vissza az egységbe.
- Dugja az IEC csatlakozót az egység hátulján lévő tápkábel-csatlakozóba.



## ÁPOLÁS ÉS KARBANTARTÁS

### TISZTÍTÁS:

- Szükség szerint tisztítsa a külső burkolatot letörölve azt száraz, puha törlőronggyal; feltöltésváltáshoz használjon langyos, megnedvesített törlőrongyot.
- Ne használjon illékony folyadékokat (például benzolt, festékhígítót), súrolóport vagy egyéb tisztítószereket, amelyek károsíthatják az egység felületét.
- A bemeneti és kimeneti nyílásokat tisztítás gyanánt száraz, puha törlőronggyal törölje át.

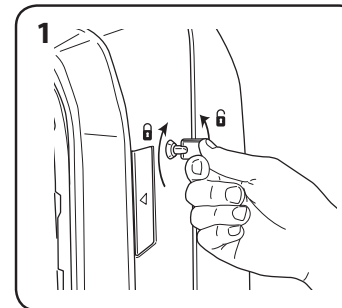
### SZŰRŐCSERE JELZŐK:

A szűrőcsere jelzők tájékoztatják, mikor szükséges lecserélni a HEPA szűrőt és/vagy az előszűrővel ellátott szénszűrőt. A csereidőszak az üzemi órák, a légminőség és a légáramlási sebesség függvényében változik. Mindazonáltal normál használat mellett a HEPA szűrők többségét minden 2 évben, míg az előszűrővel ellátott szénszűrőket minden 6 hónapban cserélni kell. Amikor cserélni kell egy adott szűrőt, a következő színek egyike lesz látható a HEPA, SZÉN vagy KIEGÉSZÍTŐ szűrőcsere jelzőkön:

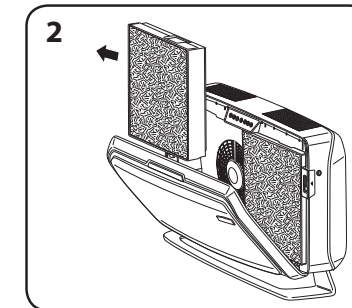
- Villogó vörös = JOBB szűrő 90%-ban megtelt
- Villogó sárga = BAL szűrő 90%-ban megtelt
- Villogó vörös, szünet, villogó sárga, szünet = JOBB és BAL szűrő 90%-ban megtelt
- Vörös = Cserélje a JOBB szűrőt
- Sárga = Cserélje a BAL szűrőt
- Vörös és sárga felváltva = Cserélje a bal és jobb szűrőt

Ne mossa ki és használja újra a szűrőket, mivel ezek már nem fognak megfelelő hatékonyságot nyújtani. Kizárólag AeraMax® PRO márkájú csereszűrőket használjon, mivel az egység egyéb csereszűrőkkel nem fog üzemelni.

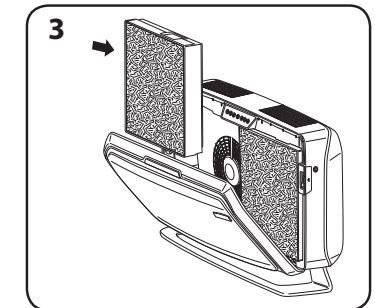
### SZŰRŐCSERÉLÉSI ELJÁRÁS:



Nyissa ki a hozzáférési panelt: a nyitáshoz helyezze be a mellékelt kulcsot, és forgassa el az óramutató járásával ellentétes irányba ¼ fordulattal.



Nyissa ki az előlő hozzáférési panelt az egység mindkét oldalán található retesz lenyomásával. Hagyja, hogy a panel teljes mértékben kinyíljon. Távolítsa el a cserélendő szűrő(ke)t.



Távolítsa el az új szűrő(k)ről az összes csomagolóanyagot, és szerelje vissza a szűrőket.

### SZŰRŐCSERE:

Új szűrő beszereléskor az egység automatikusan érzékelni fogja a szűrőtípust, azonban a szűrőcsere jelzőket a felhasználónak kell kézzel visszaállítania. A villogó szűrőcsere jelző visszaállításához kövesse az alábbi eljárást:

- Érintse meg és tartsa lenyomva a világító jelzőt három másodpercig, amíg egy csipogást hall, és a szűrő zölden kezd villogni.
- Vegye le az ujját a jelzőről.
- Érintse meg és tartsa lenyomva a jelzőt három másodpercig, amíg egy csipogást hall, és a szűrő fénye kialszik.

**Megjegyzés: Amennyiben nem hajtja végre a harmadik lépést 10 másodpercen belül az 1. lépéshez képest, a jelzőfény visszaállítása elmarad.**

## HIBAELHÁRÍTÁS

PROBLÉMA:	LEHETSÉGES MEGOLDÁS:
A légtisztító rendszer nem indul be.	<ul style="list-style-type: none"> <li>Ellenőrizze, hogy az egység tápellátáshoz van kapcsolva.</li> <li>Bizonyosodjon meg arról, hogy az összes szűrő eredeti AeraMax® PRO szűrő, mivel az egység egyéb márkájú szűrőkkel nem üzemel. FONTOS: Bizonyosodjon meg arról, hogy a szűrőérzékelési terület az eredeti AeraMax® PRO csereszűrőn egy vonalban van a szűrőkeretben található ablakkal.</li> <li>További részletekért tekintse meg a „Szűrők visszaszerelése” című részt.</li> <li>Bizonyosodjon meg arról, hogy az előlő hozzáférési panel teljes mértékben be van zárva.</li> <li>Bizonyosodjon meg arról, hogy a teljesítménykapcsoló be van-e kapcsolva.</li> </ul>
Az egység alig hallható kattogó hangot hallat.	<ul style="list-style-type: none"> <li>Ez a „PlasmaTRUE™” bipoláris ionizáló működéséről tanúskodik.</li> </ul>
A HEPA- és/vagy szénszűrőcsere jelzők továbbra is világítanak a szűrő(k) cseréjét követően.	<ul style="list-style-type: none"> <li>Ismételje meg a szűrő jelző visszaállítását.</li> </ul>

\*Para uma cópia do manual por favor visite [www.aeramaxpro.com](http://www.aeramaxpro.com)

## INSTRUÇÕES DE SEGURANÇA/ADVERTÊNCIA

Muito obrigado por ter adquirido o AeraMax® PRO AM IVS.

Leia e guarde estas instruções. Leia cuidadosamente antes de tentar montar, instalar, operar ou manter este produto. Proteja-se a si mesmo e outros observando todas as informações de segurança. O incumprimento das instruções poderia resultar em danos pessoais e/ou danos de propriedade. Retenha as instruções para futuras consultas.

### CUIDADOS IMPORTANTES E INSTRUÇÕES PARA UTILIZAÇÃO DO PURIFICADOR DE AR:

**ADVERTÊNCIA:** Siga as instruções neste manual para reduzir o risco de choque elétrico, curto-circuito e/ou incêndio:

- Não utilize este purificador de ar como proteção única contra poluentes danosos.
- Utilize esta unidade apenas da forma pretendida pelo fabricante. Se tiver quaisquer dúvidas, contacte o fabricante.
- Não repare nem modifique a unidade exceto se especificamente recomendado neste manual. Todas as reparações devem ser efetuadas por um técnico qualificado.
- A ficha desta unidade está polarizada com uma lâmina mais larga do que a outra. Não force a entrada da ficha numa tomada elétrica.
- Não altere a ficha de forma alguma. Se a ficha não entrar na tomada, inverta a sua posição. Se continuar a não entrar, contacte um técnico qualificado para instalar uma tomada adequada.
- Não use se o cabo de alimentação ou a ficha estiver danificado(a) ou se a ligação à tomada de parede estiver solta.
- Não danifique, parta, dobre, puxe, torça, ate, cubra, trilhe ou coloque objetos pesados sobre o cabo de alimentação.
- Remova periodicamente o pó da ficha de alimentação. Isso reduzirá a possibilidade de acumulação de humidade, o que aumenta o risco de choque elétrico.
- Se a ficha de alimentação estiver danificada, terá de ser substituída pelo fabricante ou por um técnico qualificado.
- Retire a ficha de alimentação da tomada antes de limpar a unidade. Quando retirar a ficha de alimentação, segure pela própria ficha e nunca pelo cabo.
- Retire a ficha de alimentação da tomada quando a unidade não estiver a ser usada.
- Não manuseie a ficha de alimentação com as mãos molhadas.
- Não utilize o cabo de alimentação debaixo de carpetes nem cubra o cabo com tapetes.
- O sistema de controlo da qualidade do ar AeraMax® PRO tem de ter ligação à terra.
- Antes da assistência técnica ou limpeza da unidade, desligue a energia no painel de serviço. Bloqueie o painel de serviço, ou afixe uma etiqueta de advertência, para impedir que a energia volte a ser ligada por acidente.
- Utilize apenas a energia elétrica (voltagem e frequência) especificada para o modelo de purificador de ar a ser instalado.
- Não obstrua a entrada ou a saída de ar do purificador de ar.
- Não utilize a unidade sem os filtros instalados.
- Não lave nem reutilize nenhum dos filtros.
- Não utilize anexos ou filtros de outra marca que não a AeraMax® PRO uma vez que a unidade não funcionará.
- Não pulverize aerossóis para cima, ou para dentro da unidade.
- Não utilize detergentes para limpar a unidade.
- Não introduza os dedos, líquidos nem objetos estranhos na entrada ou saída de ar.
- Não utilize a unidade para qualquer outro fim que não seja a purificação de ar.
- Se o cabo de alimentação estiver danificado, terá de ser substituído pelo fabricante, o respetivo representante de assistência técnica ou pessoas igualmente credenciadas, de modo a evitar perigos.
- As crianças devem ser vigiadas para assegurar que não brincam com o aparelho.
- Este aparelho pode ser utilizado por crianças a partir dos 8 anos e por pessoas cujas capacidades físicas, sensoriais ou intelectuais são reduzidas ou sem experiência ou conhecimento do aparelho, a menos que se encontrem sob a vigilância ou tenham recebido instruções quanto à utilização segura do equipamento por parte da pessoa responsável pela sua segurança e que entendam os riscos envolvidos. As crianças não devem brincar com o aparelho. As crianças não devem efetuar a limpeza e manutenção do aparelho sem a vigilância de um adulto.

## GARANTIA LIMITADA DE PRODUTO

Garantia limitada: A Fellowes, Inc. ("Fellowes") garante que o sistema de controlo da qualidade do ar AeraMax® PRO (doravante, "Produto") está isento de defeitos de material e mão-de-obra durante os períodos de tempo dispostos abaixo.

- Somente para unidades PC: Os contadores de partículas e ecrã durante um período de três (3) anos a partir da data de aquisição original do Produto.
- Para unidades padrão e PC: Todas as outras peças durante um período de cinco (5) anos a partir da data de aquisição original do Produto. No caso de o Produto ser instalado numa construção nova, o período de garantia deverá começar na data da licença de ocupação ou um ano depois da data da compra, o que ocorrer primeiro. Se encontrar um defeito em qualquer peça durante o período de garantia, o seu único e exclusivo recurso será a reparação ou a substituição, mediante o critério e o encargo da Fellowes, da peça com defeito. Esta garantia não cobre danos causados pela utilização de filtros que não sejam aprovados pela Fellowes ou pelo incumprimento do plano de substituição recomendado. Esta garantia não se aplica em casos de utilização abusiva, manuseamento inadequado, incumprimento das normas de utilização do produto, utilização com uma fonte de alimentação inadequada (outra que não a indicada na etiqueta) ou reparações não autorizadas. A Fellowes detém o direito de cobrar dos consumidores quaisquer custos adicionais incorridos para o fornecimento de peças ou de serviços fora do país onde o Produto foi originalmente vendido por um revendedor autorizado. Esta garantia não cobre filtros substituíveis. No caso do Produto não estar prontamente acessível ao pessoal de assistência técnica designado da Fellowes, a Fellowes detém o direito de fornecer ao consumidor as partes de substituição ou o Produto em plena satisfação das suas obrigações sob esta garantia e quaisquer obrigações de assistência técnica. QUALQUER GARANTIA IMPLÍCITA, INCLUINDO DE COMERCIALIZAÇÃO OU DE ADEQUAÇÃO PARA UMA FINALIDADE EM PARTICULAR, É AQUI LIMITADA AO PERÍODO DE GARANTIA APROPRIADO, CONFORME ANTERIORMENTE ESTABELECIDO. Em caso algum poderá a Fellowes ser responsabilizada por quaisquer danos consequentes, acidentais, indiretos ou especiais. Esta garantia concede-lhe direitos legais específicos. A duração, os termos e condições desta garantia são válidos a nível mundial, salvo em caso de imposição de limitações, restrições ou condições diferentes pelas leis locais.

## CONTEÚDO DA EMBALAGEM

- Sistema de Controlo da Qualidade do Ar PRO Air AeraMax®
- Filtro True HEPA com tratamento antimicrobiano AeraSafe™ (2 filtros)
- Filtro de carbono ativado c/Pré-Filtro (2 de cada filtro)
- Chaves para bloqueio do painel frontal (2)
- Informação de registo

## ESPECIFICAÇÕES DE PRODUTO

AeraMax® PRO AM IVS	
Dimensões (H x W x D)	49,7 x 88,1 x 22,8 cm
Peso do Sistema (incluindo os filtros)	15,1 kg
Requisitos de Energia	220-240 V, 50/60 Hz, 1,4 A
Consumo de Energia (5 velocidades da ventoinha)	8, 12, 18, 35, 180 watt
Distribuição do Ar (5 velocidades da ventoinha)	260, 316, 381, 476, 748 CFM
Decibéis	42, 44, 51, 53, 68 dB
Visor	Toque Capacitivo, Apenas Acesso Interno
Sensores	EnviroSmart™
Modos de Operação Controlados por Sensor	2 modos primários - Modo normal e Modo silencioso
Filtros Fornecidos	2 Filtros True HEPA com tratamento antimicrobiano AeraSafe™ com uma vida útil do filtro média estimada de 1 ano, 2 Filtros de carbono ativado com Pré-Filtro, vida útil do filtro média estimada de 6 meses.
Sistema de limpeza	Eficiência energética do Filtro High Efficiency Particulate Air (HEPA) de 99,97% de partículas suspensas no ar a 0,3 micra. O filtro de carbono adsorve odores e compostos orgânicos voláteis, ionizador bipolar PlasmaTRUE™.

## FILTROS DE SUBSTITUIÇÃO

HEPA de 2"	Substituição do filtro True HEPA com tratamento AeraSafe™. Vida útil média do filtro de 12 a 18 meses: 9416602 - pacote de 2
Carbono de 3/8"	Filtro de substituição de carbono ativado granular com pré-filtro. Vida útil média do filtro de 6 meses: 9416502 - pacote de 4
Carbono de 2"	Filtro de substituição de carbono ativado granular. Vida útil média do filtro de 2 anos: 9436802 - pacote de 2
2" Híbrido 1"	True HEPA e carbono de 1" com filtro de substituição híbrido com pré-filtro. Vida útil média do filtro de 1 ano: 9436902 - pacote de 2

Para informação adicional sobre filtros de substituição e acessórios visite: [www.aeramaxpro.com](http://www.aeramaxpro.com)

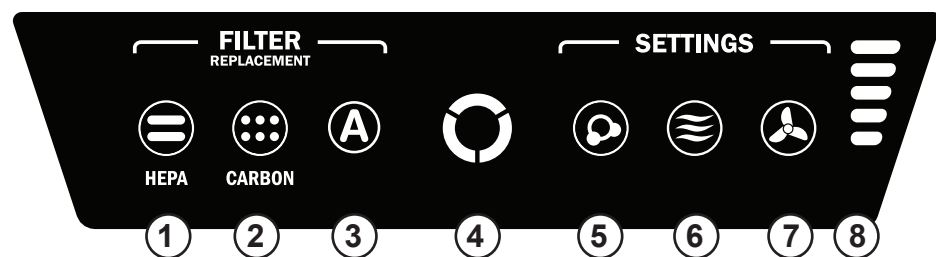
## INFORMAÇÃO PARA O UTILIZADOR

Este equipamento foi testado e considerado em conformidade com os limites para dispositivos digitais de Classe B, de acordo com a secção 15 das Regras FCC. Estes limites foram concebidos para fornecer uma proteção razoável contra interferência danosa numa instalação. Este equipamento produz, usa e pode radiar energia de frequência de rádio pelo que, se não for instalado e usado de acordo com as instruções, poderá causar interferências danosas nas comunicações de rádio. Contudo, não há garantia de que não ocorram interferências numa instalação em particular. Se este equipamento causar, de facto, interferências danosas para a recepção de rádio ou televisão, que possam ser determinadas ligando e desligando o equipamento, incentive-se o utilizador a tentar corrigir a interferência com uma das seguintes medidas:

- Reorientar ou alterar a localização da antena receptora.
- Aumentar a separação entre o equipamento e o receptor.
- Ligar o equipamento a um circuito diferente daquele a que o receptor está ligado.
- Consultar o revendedor ou técnico de rádio/TV experiente para obter ajuda.

**ADVERTÊNCIA:** Quaisquer alterações ou modificações não expressamente aprovadas pelo fabricante poderão invalidar a autoridade do utilizador para operar o equipamento e a garantia.





NOTA: depois da unidade ser ligada a luz "QA" irá piscar durante alguns minutos enquanto o sistema se auto-calibra.

- 1 **INDICADOR DE SUBSTITUIÇÃO DO FILTRO HEPA** — Este indicador irá mostrar o seu estado quando o painel de acesso estiver aberto ou fechado. Se a luz estiver vermelha isto indica que o filtro tem de ser substituído. O período de substituição variará dependendo dos filtros utilizados, das horas de utilização, da qualidade do ar e taxa de fluxo do ar. Para descrições sobre o indicador de substituição do filtro ver a secção **INDICADORES DE SUBSTITUIÇÃO DO FILTRO**.
- 2 **INDICADOR DE SUBSTITUIÇÃO DO FILTRO DE CARBONO** — Este indicador irá mostrar o seu estado quando o painel de acesso estiver aberto ou fechado. Se a luz estiver vermelha isto indica que o filtro tem de ser substituído. O período de substituição variará dependendo dos filtros utilizados, das horas de utilização, da qualidade do ar e taxa de fluxo do ar. Para descrições sobre o indicador de substituição do filtro ver a secção **INDICADORES DE SUBSTITUIÇÃO DO FILTRO**.
- 3 **INDICADOR ACESSÓRIO** — Este indicador irá mostrar o seu estado quando o painel de acesso estiver aberto ou fechado. Este indicador apenas será utilizado se um filtro acessório estiver instalado na unidade. Se a luz estiver vermelha isto indica que o filtro tem de ser substituído. O período de substituição variará dependendo dos filtros utilizados, das horas de utilização, da qualidade do ar e taxa de fluxo do ar. Para descrições sobre o indicador de substituição do filtro ver a secção **INDICADORES DE SUBSTITUIÇÃO DO FILTRO**.
- 4 **SENSOR DE QUALIDADE DO AR** — Este indicador irá mostrar o seu estado quando o painel de acesso estiver aberto ou fechado. Este indicador monitoriza a qualidade do ar e ajusta a velocidade da ventoinha para manter o seu ar purificado. As luzes azul, âmbar e vermelha indicam a pureza do seu ar.
- 5 **TECNOLOGIA PlasmaTRUE™** — Este indicador irá mostrar o seu estado quando o painel de acesso estiver aberto ou fechado. Cria um campo ionizado para ajudar a remover em segurança os poluentes atmosféricos. Para ligar a tecnologia PlasmaTRUE™ TECNOLOGIA, prima e mantenha premido o indicador PLASMA. Uma luz azul ilumina-se quando a TECNOLOGIA PlasmaTRUE™ está ativada. Para desativar a TECNOLOGIA PlasmaTRUE™, prima e mantenha premido o indicador "Plasma" até que a luz se apague.
- 6 **MODO AUTO** — Para selecionar, prima e mantenha premido o botão até o ícone se iluminar. Este modo utiliza a tecnologia EnviroSmart™ para monitorizar a qualidade, movimento e nível de ruído do ar para ajustar a velocidade da ventoinha de forma a manter o seu ar purificado o mais rapidamente possível. Este botão também inclui o MODO SILENCIOSO. Para selecionar, prima e mantenha premido o botão até ficar morado. A máquina irá continuar a utilizar EnviroSmart™, mas utiliza apenas 3 das velocidades mais baixas e silenciosas das 5 velocidades da ventoinha.
- 7 **MODO MANUAL** — Para selecionar, prima o botão até o ícone se iluminar. Este modo permite-lhe escolher uma das 5 velocidades da ventoinha e mantém a unidade nesta velocidade até o MODO AUTO voltar a ser escolhido. Os sensores internos não irão ajustar a velocidade da ventoinha neste modo.
- 8 **INDICADORES DE VELOCIDADE DA VENTONINHA** — A ventoinha tem 5 velocidades e pode atingir a velocidade turbo para limpar o ambiente no caso de níveis elevados de contaminantes. O número de barras iluminadas indica a velocidade da ventoinha.
 

1 — muito baixa	4 — alta
2 — baixa	5 — turbo
3 — média	

## FUNCIONAMENTO

O purificador de ar funciona continuamente no modo automático; o utilizador pode selecionar a preferência que pretende que o purificador utilize baseando-se na localização ou operação pretendida do purificador de ar. O purificador irá operar através de uma gama minimizada de velocidades, não excedendo o nível máximo selecionado, de forma a funcionar silenciosamente enquanto limpa o espaço de contaminantes. Uma vez que o ar é limpo, e nenhuns sensores estão ativados, a unidade reduz para o modo de poupança de energia para reduzir o consumo energético e prolongar a vida dos filtros.

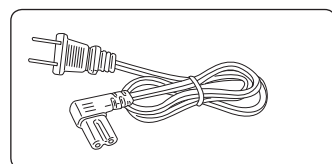
Quando o Modo Auto está selecionado, o indicador deste modo irá estar azul. Este modo utiliza a tecnologia EnviroSmart™ para monitorizar a qualidade, movimento e nível de ruído do ar para ajustar a velocidade da ventoinha de forma a manter o seu ar purificado o mais rapidamente possível. Uma vez que o ar é limpo, e nenhuns sensores estão ativados, a unidade reduz para o modo de poupança de energia para reduzir o consumo energético e prolongar a vida dos filtros.

A máquina irá continuar a utilizar EnviroSmart™, mas utiliza apenas 3 das velocidades mais baixas e silenciosas das 5 velocidades da ventoinha.

Quando o Modo Manual está selecionado, o indicador deste modo irá estar azul. Este modo permite-lhe escolher uma das 5 velocidades da ventoinha e manter a unidade nesta velocidade até o Modo Auto ser escolhido/selecionado. Os sensores EnviroSmart™ NÃO irão ajustar a velocidade da ventoinha neste modo.

## REGULAÇÃO

1. Abrir a unidade ao pressionar os trincos em ambos os lados.
2. Remover o(s) saco(s) do filtro e voltar a colocar na unidade.
3. Ligar a ficha IEC (10) à tomada do cabo de alimentação na parte traseira da unidade.



## CUIDADOS E MANUTENÇÃO

### LIMPEZA:

- Limpe a caixa exterior conforme necessário passando um pano seco e suave; para as manchas mais difíceis, usar um pano quente e húmido.
- Não utilize fluidos voláteis tais como benzeno, diluente de tinta, pó de limpeza ou outros produtos de limpeza que possam danificar a superfície da unidade.
- Limpe a as ventoinhas de entrada ou exaustão de ar limpando com um pano seco e suave.

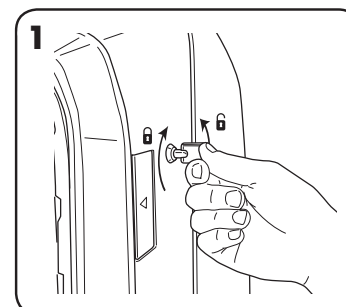
### INDICADORES DE SUBSTITUIÇÃO DO FILTRO:

Os indicadores de substituição do filtro indicarão quando substituir o filtro HEPA e/ou filtro de carbono com pré-filtro. O período de substituição variará dependendo das horas de utilização, da qualidade do ar e taxa de fluxo do ar. Contudo, em condições normais de utilização, a maioria dos filtros HEPA têm de ser substituídos cada 2 anos, e os de carbono com pré-filtro cada 6 meses. Quando um filtro tem de ser substituído a seguinte cor aparecerá em qualquer um dos indicadores de substituição de filtro HEPA, CARBONO ou ACESSÓRIO:

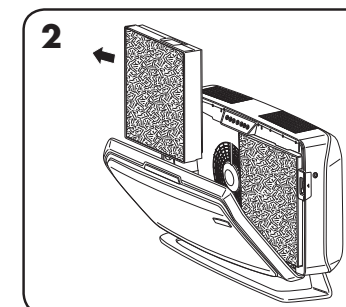
- Vermelha piscando = filtro DIREITO 90% cheio
- Âmbar piscando = filtro ESQUERDO 90% cheio
- Vermelha pisca, pausa, âmbar pisca, pausa = filtros DIREITO e ESQUERDO 90% cheios
- Vermelha = Substitua filtro DIREITO
- Âmbar = Substitua filtro ESQUERDO
- Vermelha e âmbar alternando = Substitua filtros Esquerdo e Direito

Não lave nem reutilize nenhum dos filtros — não funcionarão com eficiência. Use apenas filtros de substituição da marca AeraMax® PRO uma vez que as unidades não funcionarão utilizando quaisquer outros substitutos.

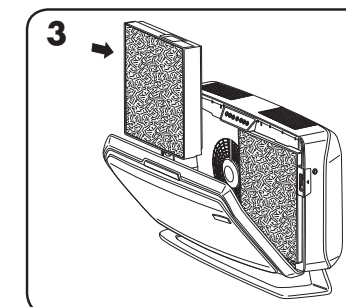
### PROCEDIMENTO DE SUBSTITUIÇÃO DO FILTRO:



Desbloqueie o painel de acesso: para desbloquear, insira a chave fornecida e rode no sentido contrário aos ponteiros do relógio ¼ de volta.



Abra o painel frontal pressionando os trincos em ambos os lados da unidade. Permita que o painel se abra completamente. Remova o(s) filtro(s) a ser(em) substituído(s).



Remova qualquer invólucro do(s) novo(s) filtro(s) e reinstale os filtros.

### SUBSTITUIÇÃO DO FILTRO:

Ao instalar um filtro novo a unidade irá detetar automaticamente o tipo de filtro mas o utilizador terá de reinicializar os indicadores de substituição do filtro. Para reinicializar o indicador de substituição do filtro utilize o seguinte procedimento:

- 1 Prima e mantenha premido o indicador iluminado durante três segundos até que um sinal sonoro seja escutado e o indicador esteja a piscar em verde.
- 2 Solte o dedo do indicador.
- 3 Prima e mantenha premido o indicador durante três segundos até que um sinal sonoro seja escutado e a luz do indicador se apague.

**Nota: Se não completar a etapa três dentro de 10 segundos após completar a etapa 1, então a luz do indicador não será reinicializada.**

## RESOLUÇÃO DE PROBLEMAS

PROBLEMA:	SOLUÇÃO POSSÍVEL:
O sistema de controlo da qualidade do ar não se inicia.	<ul style="list-style-type: none"> <li>• Verifique para assegurar que a unidade está conectada à fonte de alimentação.</li> <li>• Certifique-se de que os filtros são filtros genuínos AeraMax® PRO, uma vez que a unidade não funcionará com outras marcas. <b>IMPORTANTE:</b> Certifique-se que a área de deteção do filtro no filtro genuíno de substituição AeraMax® PRO está alinhada com a janela na armação do filtro.</li> <li>• Reveja a secção "Reinstalação dos Filtros" para obter mais dados.</li> <li>• Certifique-se de que o painel de acesso frontal está completamente fechado.</li> <li>• Certifique-se de que o interruptor de energia está na posição de ligado.</li> </ul>
A unidade emite um ligeiro estalido.	<ul style="list-style-type: none"> <li>• Isto indica que o ionizador bipolar "PlasmaTRUE™" está a funcionar.</li> </ul>
A luz do indicador de substituição do filtro HEPA e/ou de carbono permanece acendida depois da substituição do(s) filtro(s).	<ul style="list-style-type: none"> <li>• Repita a instrução de reinicialização da luz do filtro.</li> </ul>

## W.E.E.E.



### English

This product is classified as Electrical and Electronic Equipment. Should the time come for you to dispose of this product please ensure that it is not mixed with general household waste. For proper treatment, recovery and recycling, please take this product to a designated collection point. Please contact your local authority for further details of your nearest designated collection point.

### French

Ce produit est classé comme équipement électrique et électronique. Si vous souhaitez mettre ce produit au rebut, veuillez vous assurer qu’il ne soit pas mélangé avec des déchets ménagers généraux. Pour un traitement, une récupération et un recyclage adéquats, veuillez apporter ce produit dans un point de collecte désigné. Veuillez prendre contact avec vos autorités locales pour davantage d’informations concernant votre point de collecte désigné le plus proche.

### Spanish

Este producto está clasificado como Equipo eléctrico y electrónico. Si llega el momento en el que necesita desechar este producto, asegúrese de que no se mezcle con los residuos domésticos comunes. Para el correcto tratamiento, valorización y reciclado, lleve este producto a un punto de recogida designado. Póngase en contacto con una autoridad local para obtener más información sobre el punto de recogida designado más cercano.

### German

Dieses Produkt wurde als ein elektrisches und elektronisches Gerät klassifiziert. Sollte für Sie der Zeitpunkt der Entsorgung dieses Produkts gekommen sein, stellen Sie bitte sicher, dass es nicht mit dem gewöhnlichen Hausmüll entsorgt wird. Für angemessene Aufbereitung, Verwertung und Wiederaufbereitung bringen Sie dieses Produkt bitte zu einer entsprechenden Sammelstelle. Für weitere Details zu Ihrer am nächsten gelegenen Sammelstelle kontaktieren Sie bitte Ihre Behörden vor Ort.

### Italian

Questo prodotto è classificato come Apparecchiatura Elettrica ed Elettronica. Nel caso in cui sia necessario smaltire questo prodotto, accertarsi che non venga inserito tra i rifiuti domestici. Per un trattamento, recupero e riciclaggio appropriati, conferire questo prodotto presso un punto di raccolta designato. Contattare gli enti locali per maggiori dettagli sul punto di raccolta designato più vicino.

### Dutch

Dit product is geclassificeerd als elektrische en elektronische apparatuur. Wanneer de tijd komt waarop dit product moet worden afgevoerd, dient u ervoor te zorgen dat het niet bij het algemene huishoudelijke afval wordt gedaan. Breng dit product naar een aangewezen inzamelpunt, zodat het op de juiste wijze kan worden behandeld, teruggewonnen en gerecycled. Neem contact op met de plaatselijke autoriteiten voor meer informatie over het dichtstbijzijnde aangewezen inzamelpunt.

### Swedish

Denna produkt är klassificerad som elektrisk och elektronisk utrustning. När det är dags för dig att kassera denna produkt bör du se till att inte blanda samman den med allmänt hushållsavfall. För att behandla, återhämta och återvinna denna produkt ordentligt bör du ta den till en designerad insamlingspunkt. Kontakta din lokala myndighet för mer information om din närmaste designerade insamlingspunkt.

### Danish

Denne produkt er klassificeret som elektrisk og elektronisk udstyr. Hvis tiden er inde for at denne produkt skal kasseres, så sørg for at det ikke bliver blandet sammen med almindelig husholdningsaffald. Bring venligst produktet til et indsamlingssted til korrekt behandling, genindvinding og genbrug. Kontakt de lokale myndigheder for at få flere oplysninger om det nærmeste indsamlingssted.

### Finnish

Tämä tuote luokitellaan sähkö- ja elektroniikkalaitteeksi. Jos sinun on hävitettävä tämä tuote, varmista, ettei sitä hävitetä lajittelemattomien kotitalousjätteiden mukana. Vie tämä tuote erityiseen jätteenkeruupisteeseen, joka hoitaa käytetyn laitteen asianmukaisen käsittelyn, talteenoton ja kierrätyksen. Voit pyytää lisätietoja lähimmästä virallisesta jätteenkeruupisteestä paikallisilta viranomaisilta.

### Norwegian

Denne produktet klassifiseres som elektrisk og elektronisk utstyr. Dersom det skulle bli aktuelt for deg å avhende produktet ber vi deg forsikre deg om at det ikke kastes i husholdningsavfallet. For riktig avhending, gjenvinning og resirkulering, vennligst ta dette produktet med til et deril egnet returpunkt. Vennligst kontakt dine lokale myndigheter for ytterligere detaljer om ditt nærmeste innsamlingssted.

### Polish

Ten produkt jest sklasyfikowany jako sprzęt elektryczny i elektroniczny. Przy jego utylizacji należy dopilnować, by nie został wyrzucony razem z odpadami domowymi. Należy dostarczyć go do odpowiedniego punktu zbiórki odpadów, gdzie zostanie poddany właściwemu przetworzeniu, odzyskowi i recyklingowi. Szczegółowe informacje na temat najbliższego punktu zbiórki odpadów można uzyskać, kontaktując się z lokalnymi władzami.

### Russian

Данное изделие классифицировано как электрическое и электронное оборудование. По истечении срока эксплуатации изделия не утилизируйте его вместе с бытовыми отходами. Для обеспечения надлежащей обработки, вторичного использования и переработки изделие следует сдать в специализированный пункт приема. Для получения детальной информации касаемо ближайшего специализированного пункта приема утильсырья обратитесь в местные органы власти.

### Greek

Αυτό το προϊόν είναι ταξινομημένο ως Ηλεκτρικός και Ηλεκτρονικός Εξοπλισμός. Όταν έρθει η ώρα για την απόρριψη του προϊόντος, βεβαιωθείτε ότι δεν θα απορριφθεί με τα γενικά οικιακά απορρίμματα. Για τη σωστή επεξεργασία, ανάκτηση και ανακύκλωση, παραδώστε το προϊόν σε ένα κατάλληλο κέντρο συλλογής. Παρακαλούμε επικοινωνήστε με την αρμόδια τοπική αρχή για περαιτέρω λεπτομέρειες σχετικά με το πλησιέστερο κέντρο συλλογής.

### Turkish

Bu ürün, Elektriksel ve Elektronik Ekipman olarak sınıflandırılmıştır. Bu ürünün atılacağı an geldiğinde bu ürünün ev atığı ile karışmadığından emin olun. Uygun muamele, geri kazanım ve geri dönüşüm için lütfen bu ürünü belirlenmiş toplama noktasına götürün. Belirlenmiş en yakın toplama noktanızın ayrıntıları için yerel yetkililere danışın.

### Czech

Tento výrobek je klasifikován jako elektrické a elektronické zařízení. Bude-li třeba tento výrobek již zlikvidovat, dbejte prosím na to, aby nebyl vyhozen do běžného domovního odpadu. Náležitě zpracování, využití a recyklaci tohoto výrobku zajistí určené sběrné místo. Pro další informace o nejbližším určeném sběrném místě se obraťte na příslušný místní úřad.

### Slovak

Tento produkt je klasifikovaný ako elektrické a elektronické zariadenie. Ak dôjde k likvidácii tohto produktu, zaistite, aby nebol zlikvidovaný spolu so všeobecným odpadom z domácnosti. Na účely správneho spracovania, zhodnotenia a recyklácie zaneste tento produkt na určené zberné miesto. Ďalšie informácie o najbližšom určenom zbernom mieste vám poskytnie váš miestny úrad.

### Hungarian

Ez a termék Elektromos és elektronikus berendezés besorolású. Ha elérkezett az idő a termék leselejtezésére, akkor ügyeljen rá, hogy a termék ne kerüljön az általános háztartási hulladékok közé. A megfelelő kezelés, feldolgozás és újrahasznosítás érdekében, kérjük, juttassa el a terméket egy kijelölt hulladékgyűjtő helyre. A legközelebbi kijelölt hulladékgyűjtő hellyel kapcsolatos információkért forduljon a helyi hatóságokhoz.

### Portuguese

Este produto está classificado como Equipamento Elétrico e Eletrónico. Quando tiver que eliminar este produto, assegure-se de que não o mistura com o lixo doméstico geral. Para informação sobre tratamento adequado, recuperação e reciclagem, entregue este produto num ponto de recolha designado. Contacte a sua autoridade local para mais detalhes sobre o ponto de recolha mais próximo de si.