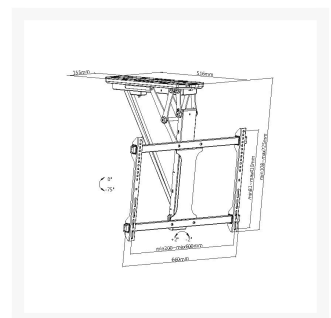
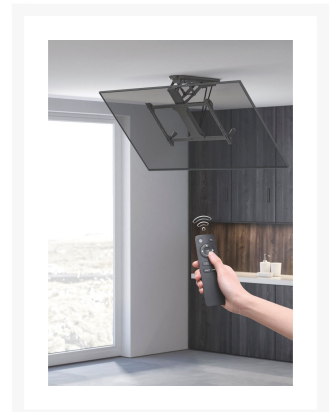




650329 32"-70" Motorized TV Ceiling Mount Bracket

Product Images





Short Description

1. Max. Load Capacity: 35Kg
2. Max. VESA: 600x400
3. VESA standards compliant

4. Flip down design: allows for easy storage, save space
5. Level adjustment ensures perfect positioning
6. Built-in Cable management
7. Remote Control Included: for easy movements

Description

The equip 650329 motorized TV Ceiling mount bracket is the perfect item to saves spce for the room with low ceiling (flat and pitchd), retracts and keeps flush to the top . Combined with the balanced mechanism to stop TV shaking on the ceiling.

The high-quality motor provides an automatic lift function with just the press of a button. The convenient RF remote allows operation through walls and at distance from the TV.

Additional Information

Approval and compliance	CE, RoHS
Anti-Theft	No
Quick Release VESA Plate	No
Support Curved TV	No
Material	Plastic, Stainless Steel
Load capacity (kg)	35kg
Mount	Ceiling mount
No. of supported display	1
Tilt range	0--75°
VESA compatibility	200x100,200x200,300x200,200x400,400x200,300x300,400x300,400x400,600x400
Bracket type	Tiltable
Distance to Wall (Profile)	108mm
Product Size	664x546x110mm
Mounting Hole Pattern	Standard VESA
Installation	Ceiling Mounted
Cable Management	Yes
Product weight (kg)	9
Product breadth (mm)	546
Product depth (mm)	110
Product height (mm)	664
Color	Black
EAN	4015867227152
Model number	650329
Package contents	650329 Screws Manual

