



DATA SHEET

USB-C® 12-in-1 Triple Display Docking Station with HDMI®, DisplayPort™, Ethernet, USB, 3.5mm Audio and Power Delivery up to 85W - 4K 30Hz (TAA Compliant)

Connect a USB-C laptop to multiple 4K video displays, a wired network, and transfer data, while keeping the laptop charged

OVERVIEW

The USB-C 12-in-1 Triple Display Docking Station with HDMI, DisplayPort, Ethernet, USB, 3.5mm Audio and Power Delivery connects to USB-C or Thunderbolt™ 3 enabled laptops and is perfect for contributing to a desktop solution — making it ideal for inside reps that have extra connectivity demands while in the office or when working from home.

This USB-C Triple Display Docking Station supports connected devices, such as keyboards, mice, portable hard drives, and other peripherals, all while supporting up to 85W of power delivery to charge and power a laptop. The maximum power capacity depends on how much power the connected adapter can supply. The right amount of power is necessary to keep the laptop battery charged, for all connected devices to function, and for the dock to provide that connectivity. This docking station includes a 135W power supply.

This USB-C Triple Display Docking Station is equipped with three video display outputs, simultaneously splitting content to three display devices while connected to a single source with a USB-C output. This dock is perfect for a triple display desk setup — improving multitasking and productivity. Connect up to three displays, supporting resolutions up to 4K (3840 x 2160) at 30Hz. Connect up to two displays, supporting resolutions up to 4K (4096 x 2160) at 60Hz, or connect to a single DisplayPort display and support resolutions up to 5K (5120 x 2880) at 60Hz. The USB-A ports support SuperSpeed USB 5Gbps data transfers — allowing a full HD movie to be downloaded in under a minute. The USB-C port supports SuperSpeed USB 10Gbps — allowing for twice the amount of data in the same amount of time as the USB-A ports. Optimize performance by connecting displays designed for 4K signals and USB-C devices designed for 10Gbps transfer speeds.

Maximum Supported Resolutions

- 3 HDMI or DisplayPort Ports to 3 Displays: 4K (3840 x 2160) at 30Hz
- 2 HDMI Ports to 2 Displays: 4K (4096 x 2160) at 60Hz
- 2 DisplayPort Ports to 2 Displays: 4K (4096 x 2160) at 60Hz
- 1 HDMI Port to 1 Display: 4K (4096 x 2160) at 60Hz
- 1 DisplayPort Port to 1 Display: 5K (5120 x 2880) at 60Hz

FEATURES

- 135W USB-C power supply to support connected displays and devices
- Supports up to 85W of power delivery to keep your laptop charged
- Triple 4K display extension from a single USB-C connection
- Supports HDMI and DisplayPort resolutions up to 4K, for viewing your screen content at full HD
- Supports 5K, when connected to a DisplayPort display
- USB-A and USB-C ports for fast data transferring
- BC 1.2 USB-A port for enhanced mobile charging
- Hard wired Ethernet port for when security requires it or when WiFi[™] is not available
- Reversible, symmetrical USB-C connector, so no guessing how to plug it into your laptop
- Compatible with Windows and Mac operating systems
- 5 year warranty, for peace of mind - with the highest quality docking stations

ITEM DESCRIPTION

- | ITEM | DESCRIPTION |
|----------|--|
| C2G80925 | USB-C 12-in-1 Triple Display Docking Station with HDMI, DisplayPort, Ethernet, USB, 3.5mm Audio and Power Delivery up to 85W - 4K 30Hz (TAA Compliant) |

ELECTRICAL SPECIFICATIONS

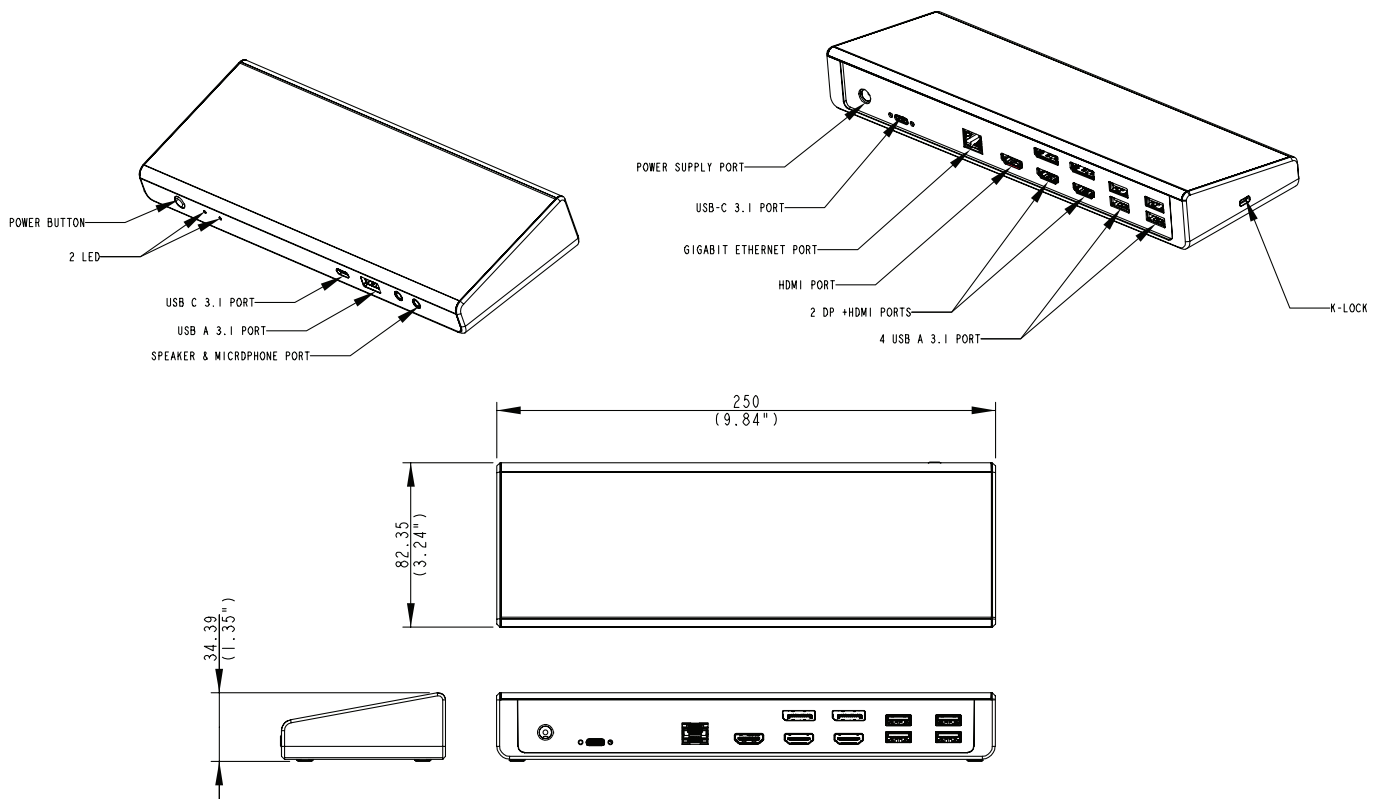
- Power Adapter: Electrical: Input: 100-240VAC, 50-60Hz, 1.8A; Output: 20DC, 6.75A
- Power Consumption: 135W
- USB-C Power Delivery: 85W

PHYSICAL SPECIFICATIONS

- Operating Temperature: 0°C to +35°C; 0 to 90% RH (Non-Condensing)
- Storage Temperature: -20°C to +70°C; 0 to 90% RH (Non-Condensing)

PHYSICAL CHARACTERISTICS

- Connector: Ethernet: RJ45 LED(G/Y); Pin: Gold Flash Blue Rubber Nickel Plated
- Connector: USB-A: USB 3.0 Type AF Blue Rubber Nickel Plated; Pin: Gold Flash
- Connector: USB-C: USB Type C (Female) Black Rubber Nickel Plated Gold Flash
- Connector: DP+HDMI: High Rise DP+HDMI 20 Pin+19 Pin Conn SMT 90° Black Rubber Nickel Plated, 1u"
- Connector: HDMI: HDMI AF 19Pin SMT 90°Black Rubber Nickel Plated 5u" H: 6.08
- Cable: UL21100; (30# * 2C + EAM) * 4C + 32# * 1P + 32# + 2C + (32# + EA) * 2C + 23# * 1C + AB; OD: 5.0mm; Color: Black
- Power Adapter: Dimensions: 5.67 x 2.48 x 1.18 Inches HxWxD; Cable Length: 63 Inches; Pin Diameter: 5.5 x 2.5 x 10mm
- Material: Housing: Plastic (PC+ABS)
- Color: Housing Pantone Black, Housing Logo Colors: Plastic Housing Logo Color: Pantone 877C
- Product is CE Marked and Conforms to 2011/65/EU ROHS 2



C2G

A brand of **legrand**

c2g.com/uk | legrandav.com

EMEA P +31 495 580 840 E c2g.emea@av.legrand.com

©2021 Legrand AV Inc. 200820 Rev B 3/21 C2G is a registered trademark of Legrand AV Inc. All other brand names or marks are used for identification purposes and are trademarks of their respective owners. All patents are protected under existing designations. Other patents pending.

COMMERCIAL AV BRANDS

C2G | Chief | Da-Lite | Luxul | Middle Atlantic | Vaddio | Wiremold