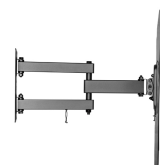
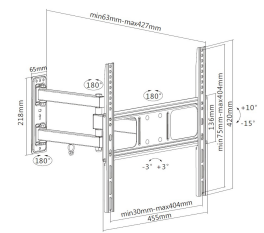
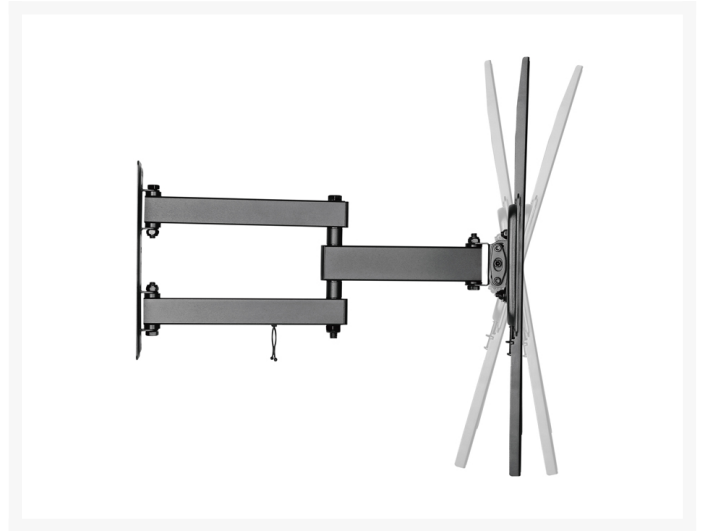
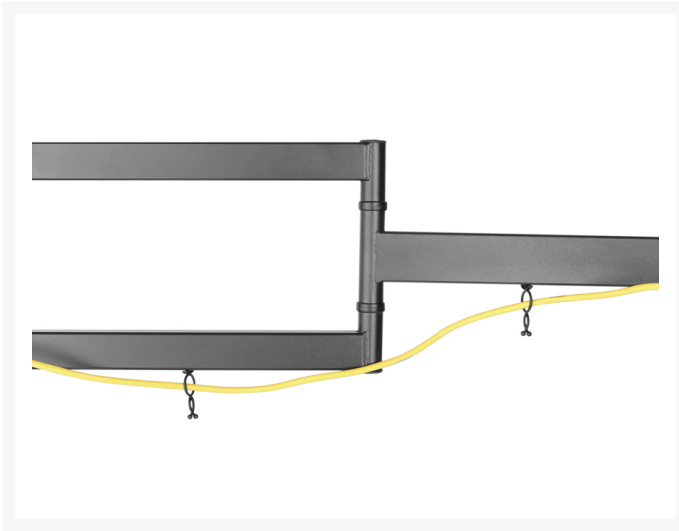


650341 32"-55" Articulating TV Wall Bracket

Product Images





Short Description

1. Max. Load Capacity: 35Kg
2. Max. VESA: 400x400
3. Full motion mount
4. VESA standards compliant
5. Free-tilting design for multiple monitor viewing angles
6. Level adjustment ensures perfect positioning
7. Build-in cable management

Description

The equip® TV Wall Mount Bracket is a compact but sturdy product that ensures a reliable installation of your LCD/TV. Follow the graphic guide included in the package, you can install your TV on your own with ease. The wall bracket fits most of the wall materials- brick, concrete and wood, making the ideal choice for you to set up your screens.

Additional Information

Approval and compliance	ROHS
Compatible display size	32"-55"
Material	Stainless Steel
Load capacity (kg)	35kg
Mount	Wall mount
Pan (Swivel) range	+90°~-90°
No. of supported display	1
Tilt range	+10°~-15°
VESA compatible	200x200,300x300,400x200,400x400
Bracket type	Tiltable & Swivel
Distance to Wall (Profile)	63~427mm
Product weight (kg)	2.79
Product breadth (mm)	455
Product depth (mm)	420
Product height (mm)	427
Color	Black
EAN	4015867225448
Model number	650341
Package contents	650341
TV size	32"-55"

