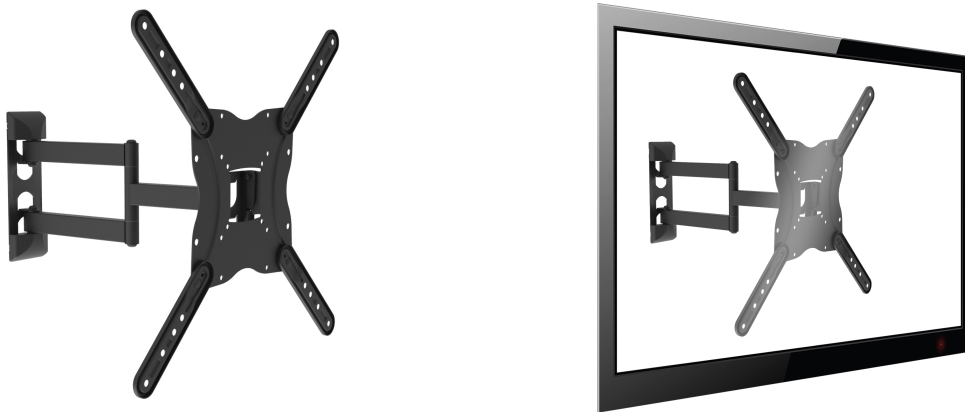


## 13"-55" Articulating TV Wall Mount Bracket

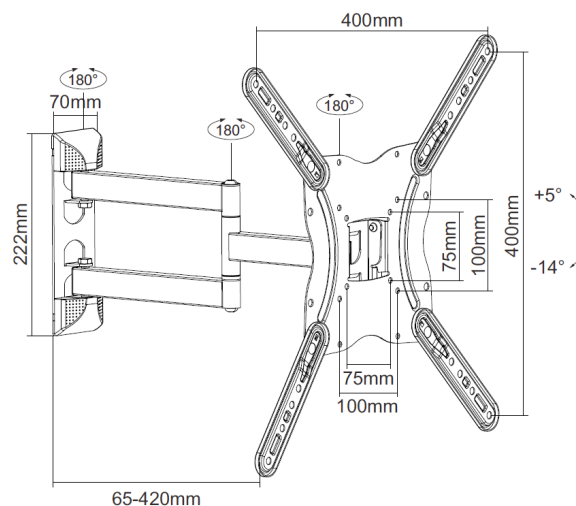
Model No.: 650407



### I Overview

The equip® TV Wall Mount Bracket is a compact but sturdy product that ensures a reliable installation of your LCD/Plasma TV. Follow the graphic guide included in the package, you can install your TV on your own with ease. The wall bracket fits most of the wall materials- brick, concrete and wood, making the ideal choice for you to set up your screens.

### I Drawing





[www.equip-info.net](http://www.equip-info.net)

## I Key Features

- Adjustment knob enables a full range of tilt action
- VESA standards compliant

## I Specification

<b>Material</b>	Steel
<b>Color</b>	Black
<b>Dimension</b>	403x403x420mm
<b>Suggested Screen Size</b>	13" - 55"
<b>Support Curved TV</b>	No
<b>Load Capacity</b>	30KGS
<b>VESA Mount Standard</b>	75x75,100x100,200x100,200x200,300x300,400x400,
<b>Max. VESA</b>	400x400mm
<b>Mounting Hole Pattern</b>	Standard VESA
<b>Distance to Wall</b>	65mm-212mm
<b>Screen Freely Tilting</b>	Yes
<b>Tilt Range</b>	+5° ~ -14°
<b>Swivel Range</b>	+90° ~ -90°
<b>Panel Type</b>	Detachable Panel
<b>Free Height Adjustable</b>	No
<b>Installation</b>	Single Stud
<b>Wall Plate Type</b>	Fixed Wall Plate
<b>Cable Management</b>	YES

## I Package Contents

- 1 x Wall Mount Bracket
- 1 x Screw Pack
- 1 x Quick Installation Guide

