

RJ45 RIGHT ANGLE JACK IDC Krone 45°-110 Dual

SCALE 1/5

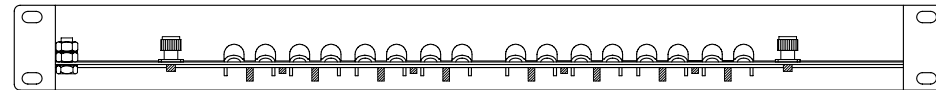
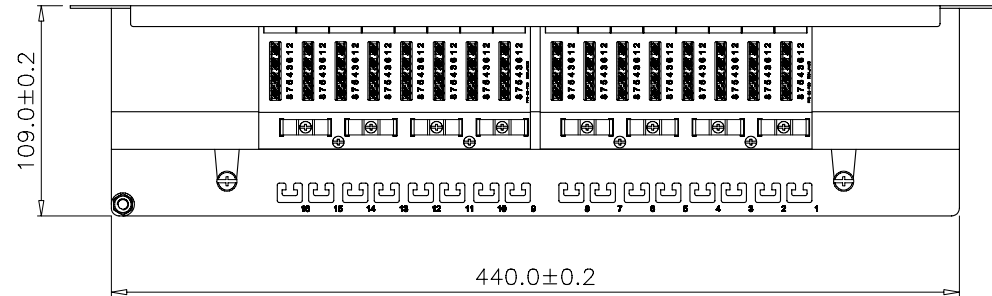
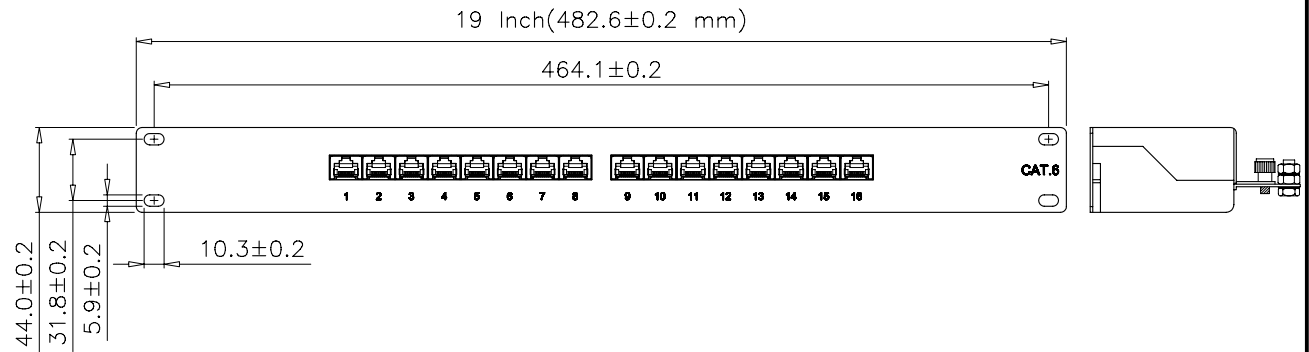
Specification :

Material :

1. Top & Bottom case : SECC, 1.3 mm thickness
2. RJ45 Jack Housing : PBT, UL 94V-0.
3. RJ45 Jack Shield : Bronze with Nickel plated.
4. RJ45 Jack contact material & finished :
 - 4-1. Phosphor Bronze with 50-60 micro-inch Nickel plated.
 - 4-2. Contact area : Min. 3mm 50 micro-inch Gold plated.
5. IDC Housing : PC, UL 94V-2, KRONE dual.
6. IDC Terminal material & finished :
 - 6-1. Phosphor Bronze with 50-60 micro-inch Tin-Lead plating over 50-60 micro-inch Nickel plated.
 - 6-2. 110 & Krone tool compatible.
 - 6-3. Use for 22-26 AWG stranded & solid wire.

Performance :

- a. The IDC color codes combine two wirings of T568A & T568B.
- b. Insertion force : 900 gms for 8 contacts.
- d. Retention strength : 7.7 kgs between Jack and Plug.
- d. Operation temperature : -40°C to 80°C.
- e. Durability :
 - e-1. Jack : 750 cycles Plug-Jack mating and unmating test, insertion cycles at 20 cycles/minute max. Contact resistance test per 100 cycles.
 - e-2. IDC : Max. 200 punching times.
- f. The Cat.6 performance is in compliance with the ANSI/TIA/EIA 568 B.2-1 standard.



GENERAL TOLERANCE OF DIMENSIONS	
X.XXX	±0.005
X.XX	±0.05
X.X	±0.1



19" Patch Panel 1U Cat.6/Class E, Full Shielded, 16 Port
 Item No.: 326416 black
 Item No.: 326316 light grey (RAL 7035)