

# CyberPower®

## User's Manual

BPSE240V75ART3U  
BPSE240V75ART3UOA

CyberPower Systems Inc.  
[www.cyberpower.com](http://www.cyberpower.com)

K01-C000117-02

## CONTENT:

<b>1. SAFETY</b> .....	<b>1</b>
<b>2. UNPACKING</b> .....	<b>3</b>
<b>3. BASIC OPERATION</b> .....	<b>4</b>
3.1. SCHEMATIC .....	4
3.2. FRONT/REAR PANEL DESCRIPTION.....	4
<b>4. HARDWARE INSTALLATION</b> .....	<b>5</b>
4.1. RACKMOUNT INSTALLATION.....	5
4.2. VERTICAL/TOWER INSTALLATION .....	8
<b>5. ELECTRICAL INSTALLATION</b> .....	<b>10</b>
5.1. One Battery module with 240Vdc input of the Power module.....	10
5.2. Multiple Battery modules with 240Vdc input of the Power module .....	11
5.3. Two Battery modules with $\pm 240$ Vdc input of the Power module.....	13
5.4. Multiple Battery modules with $\pm 240$ Vdc input of the Power module .....	13
<b>6. TECHNICAL SPECIFICATION</b> .....	<b>14</b>

# 1. SAFETY

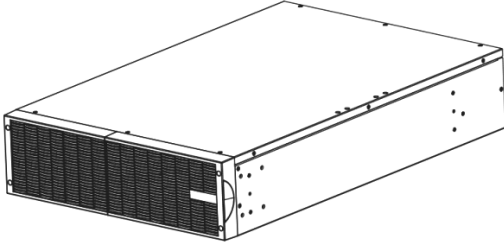



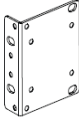





This manual contains important instructions. Please read and follow all instructions carefully during installation and operation of the unit. Read this manual thoroughly before attempting to unpack, install, or operate the Battery module.

- **CAUTION!** The UPS unit must be connected to a grounded AC power outlet with fuse or circuit breaker protection. The Battery modules grounded are through the UPS.
- **CAUTION!** The battery can power hazardous components inside the unit, even when the AC input power is disconnected.
- **CAUTION!** To prevent the risk of fire or electric shock, install in a temperature and humidity controlled indoor area, free of conductive contaminants. (Please see specifications for acceptable temperature and humidity range).
- **CAUTION! (No User Serviceable Parts):** Risk of electric shock, do not remove cover. No user serviceable parts inside. Refer servicing to qualified service personnel.
- **CAUTION! (Non-Isolated Battery Supply):** Risk of electric shock, battery circuit is not isolated from AC power source; hazardous voltage may exist between battery terminals and ground. Test before touching.
- **CAUTION!** Wiring must be done by qualified personnel.
- **CAUTION! DO NOT USE WITH OR NEAR AQUARIUMS!** To reduce the risk of fire, do not use with or near aquariums. Condensation from the aquarium can come in contact with metal electrical contacts and cause the machine to short out.
- **CAUTION!** Do not dispose of batteries in fire as the battery may explode.
- **CAUTION!** Do not open or mutilate the battery, released electrolyte is harmful to the skin and eyes.
- **CAUTION!** A battery can present a risk of electric shock and high short circuit current. The following precaution should be observed when working on batteries
  1. Remove watches, rings or other metal objects.
  2. Use tools with insulated handles.
- **CAUTION!** Make sure everything is turned off and disconnected completely

before conducting any maintenance, repairs or shipment.

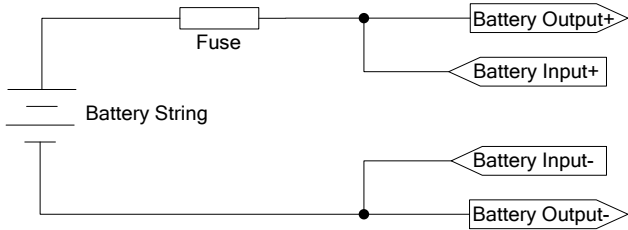
- **CAUTION!** Connect the Protection Earth (PE) safety conductor before any other cables are connected.
- **DO NOT INSTALL THE UNIT WHERE IT WOULD BE EXPOSED TO DIRECT SUNLIGHT OR NEAR A STRONG HEAT SOURCE!**
- **SERVICING OF BATTERIES SHOULD BE PERFORMED OR SUPERVISED BY PERSONNEL KNOWLEDGE OF BATTERIES AND THE REQUIRED PRECAUTIONS. KEEP UNAUTHORIZED PERSONNEL AWAY FROM BATTERIES!**

## 2. UNPACKING

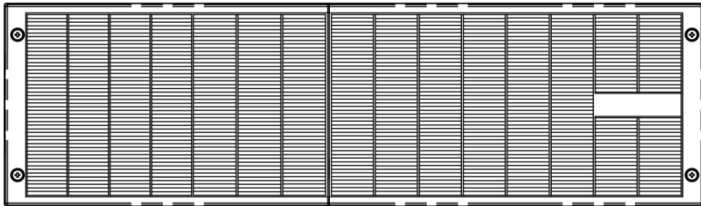
		
Battery module		User's manual
		
Rackmount left rail	Rackmount right rail	Rackmount ears (Stands)*2PCS
		
Flat head screws:M4X8L	Pan head screws:M5X12L	Screw hole dust
		
Plastic washers	Battery Cable	

# 3. BASIC OPERATION

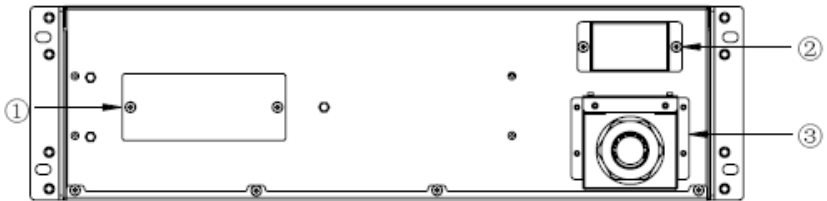
## 3.1. SCHEMATIC



## 3.2. FRONT/REAR PANEL DESCRIPTION



Front View



Rear View

- ①. **Fuse:** Replaceable fuse is accessible from the rear panel. It must be done by qualified personnel.
- ②. **Output Connector:** Use this output connector to connect the Battery module and the Power module.
- ③. **Battery input Terminal Block:** Use this input Terminal Block to daisy chain the next Battery module.

## 4. HARDWARE INSTALLATION

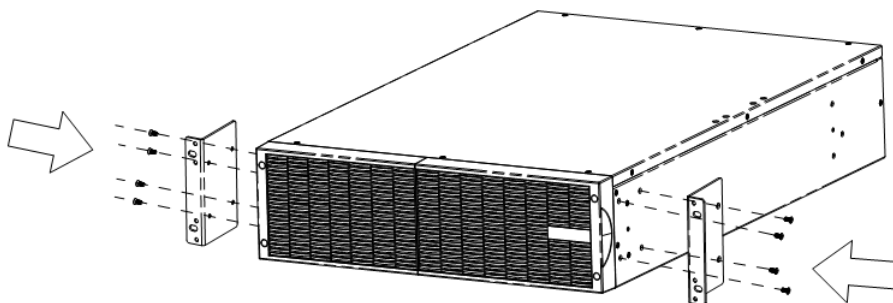
**CAUTION!** To prevent the risk of fire or electric shock, only use the supplied hardware to attach the mounting brackets.

These versatile UPS systems can be mounted in a rackmount or vertical/tower orientation. This versatility is especially important to growing organizations with changing needs that value having the option to position a UPS on a floor or in a rackmount system. Please follow the instructions below for the respective mounting methods.

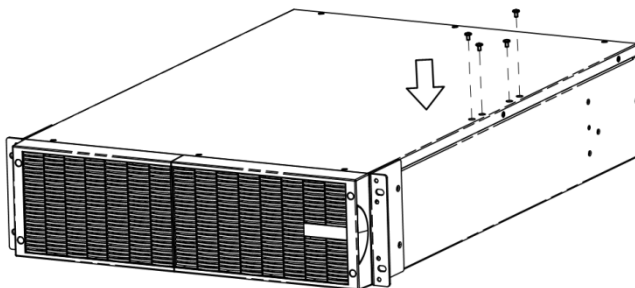
### 4.1. RACKMOUNT INSTALLATION

#### Step 1. Rackmount ears installation

- a) Attach the two rackmount ears to the UPS using the provided screws M4X8L\*8pcs.

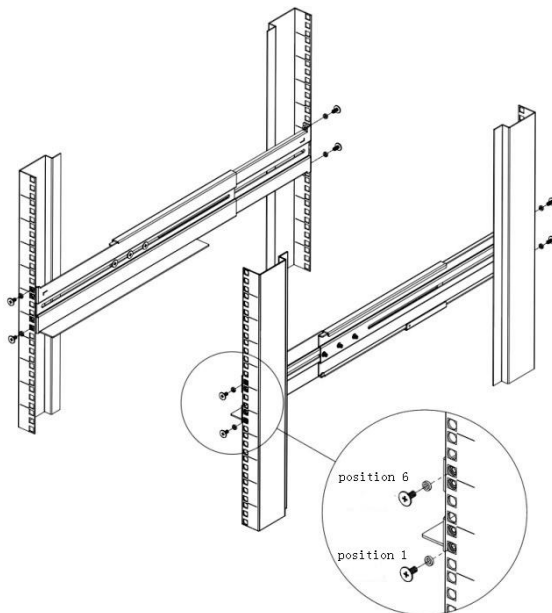
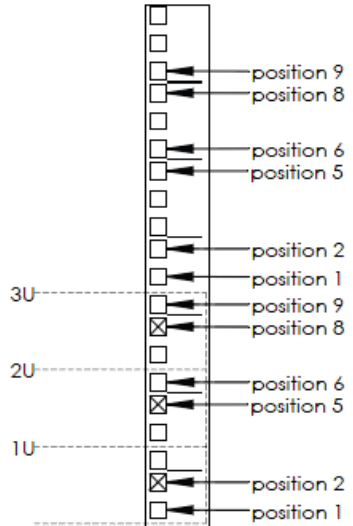


- b) Insert dust cover into the rackmount ear screw holes that are not being used.



**Step2.Rackmount rails Installation**

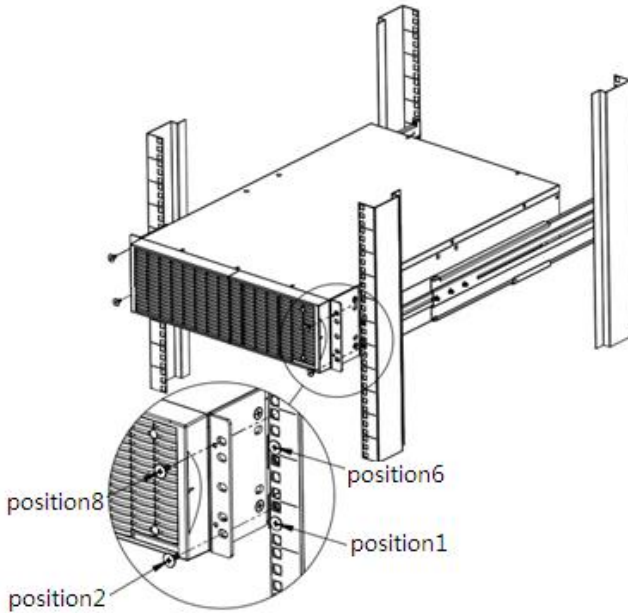
- a) The rails adjust to mount in 48-cm (19-inch) panel racks from 52 to 91.5cm (20.5 to 36 inches) deep. Select the proper holes in the rack for positioning the UPS in the rack. The UPS takes up position 1 through position 9.
- b) Attach the rackmount rail to your rack with two M5X12L screws and two plastic washers at the front of the rack. (Located in position 1 & position 6) Do not tighten the screws. Adjust the rail size on the rail assembly of your rack. Secure the rail to the rear of the rack with two M5X12L screws and two plastic washers. Tighten all screws at the front and rear of the rail. Once completed, perform the same steps for assembling the other rackmount rail.





**Step3.Install the UPS on the rack**

- a) Place the UPS on a flat stable surface with the front of the unit facing toward you. Secure the UPS to your rack with four M5X12L screws at the front of the rack. (Located in position 2 & position 8).



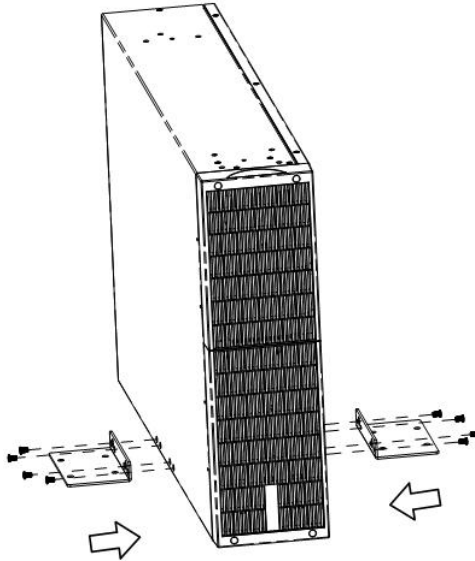
- b) Once completed, perform the same steps for Power module.

**CAUTION!** The Battery module must be installed below the UPS.

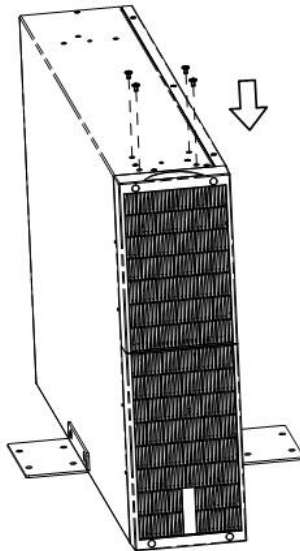
## 4.2. VERTICAL/TOWER INSTALLATION

### Attach the base stands #1: Without Power module

- a) Tighten the screws (M5X12\*4pcs) of the base stands (rackmount ears) onto the bottom of the Battery module.

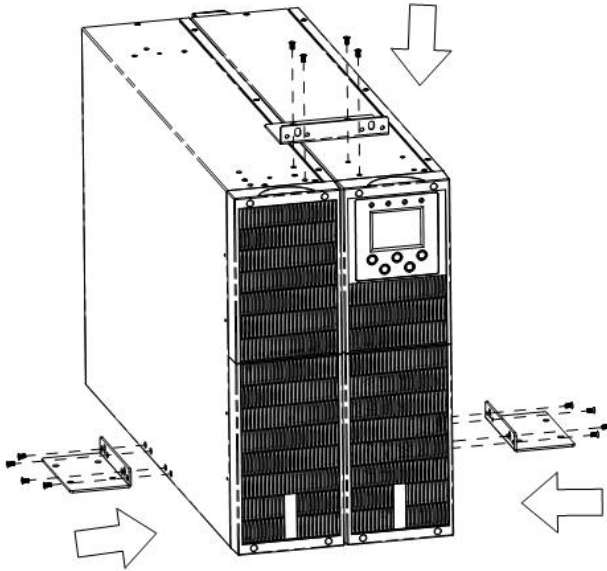


- b) Insert dust cover into the rackmount ear screw holes that are not being used.

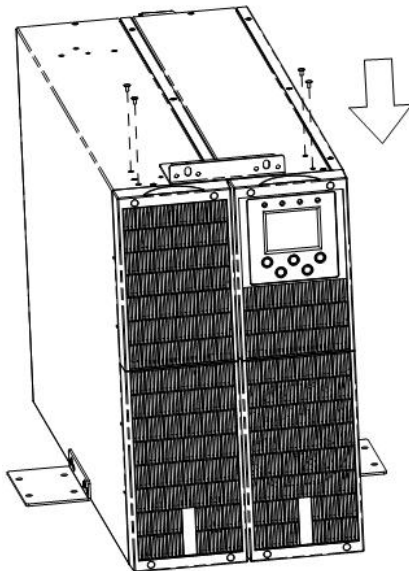


**Attach the base stands #2: With Power module**

- a) Tighten the screws (M5X12\*4pcs) of the base stands (rackmount ears) onto the bottom of the UPS and Battery module.



- b) Insert dust cover into the rackmount ear screw holes that are not being used.

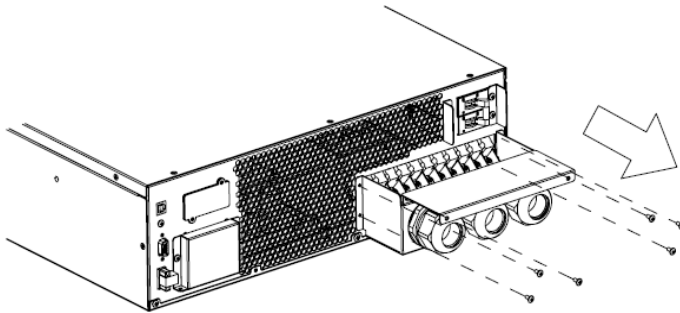


## 5. ELECTRICAL INSTALLATION

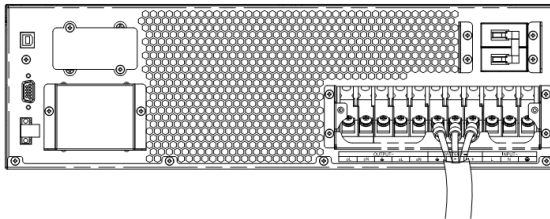
The system must be installed and wired only by qualified electricians in accordance with applicable safety regulations!

### 5.1. One Battery module with 240Vdc input of the Power module

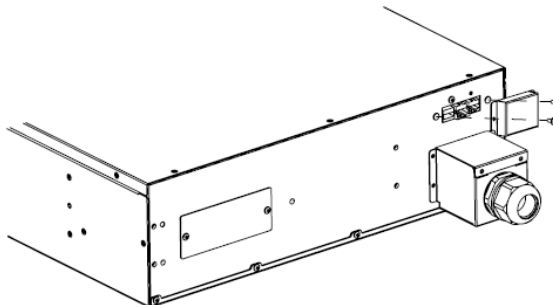
- a) Loosen the screws to remove the Terminal Block Cover located on the rear panel of Power module.



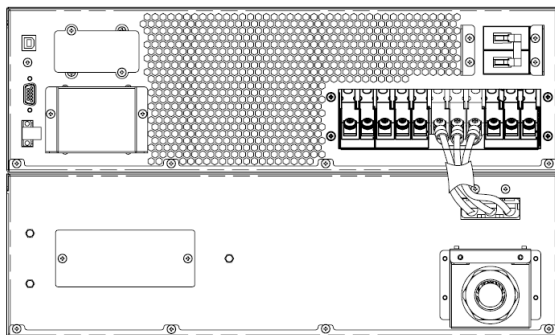
- b) Connect the Battery Cable to the Power module and ensure the polarity is right.



- c) Loosen the screws to remove the Output Connector Cover of Battery module.

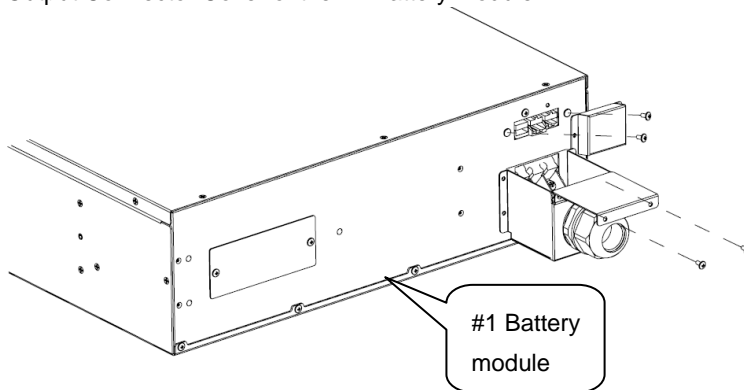


- d) Connect the Battery Cable to the Battery module. Once completed, retighten the Block Cover.

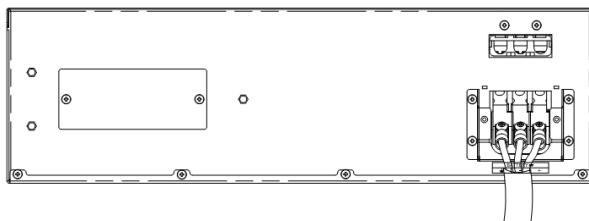


## 5.2. Multiple Battery modules with 240Vdc input of the Power module

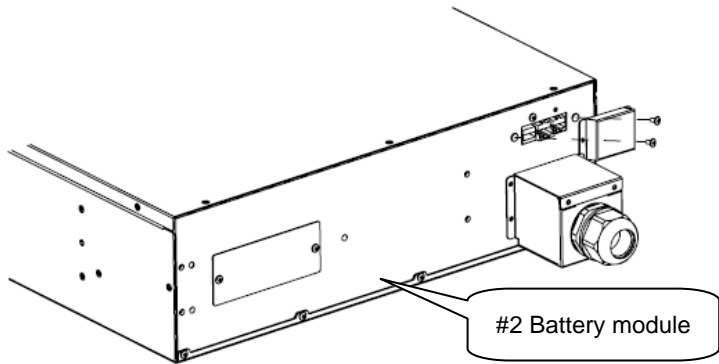
- a) Loosen the screws to remove the Battery input Terminal Block Cover and Output Connector Cover of the #1 Battery module.



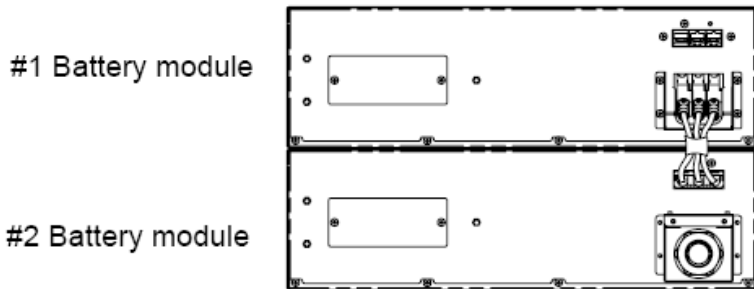
- b) Connect Battery Cable to Battery input Terminal Block of the #1 Battery module and ensure the polarity is right.



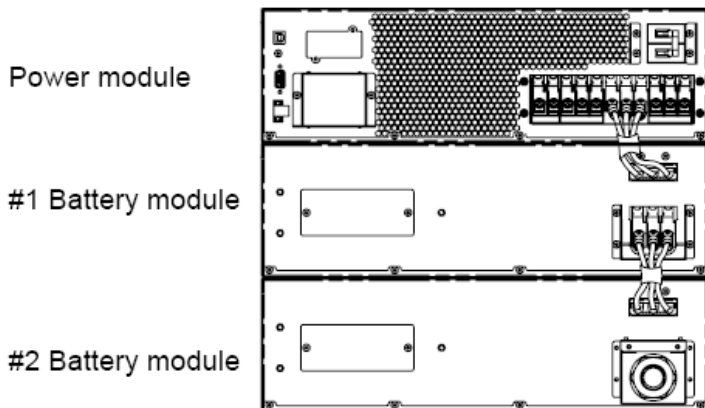
- c) Loosen the screws to remove the Output Connector Cover of the #2 Battery module.



- d) Connect the #1 Battery module to the #2 Battery module.

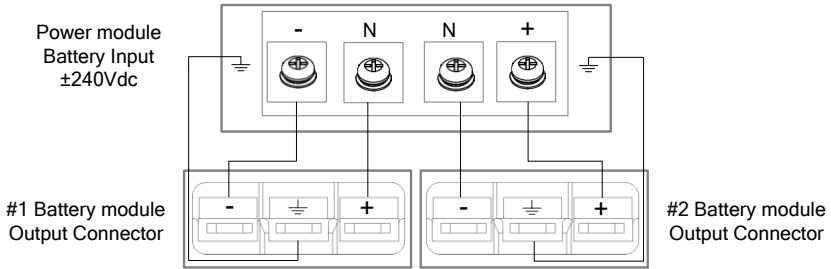


- e) Connect the #1 Battery module to Power module. (Refer to above steps of chapter 5.1). Once completed, retighten the Block Cover.



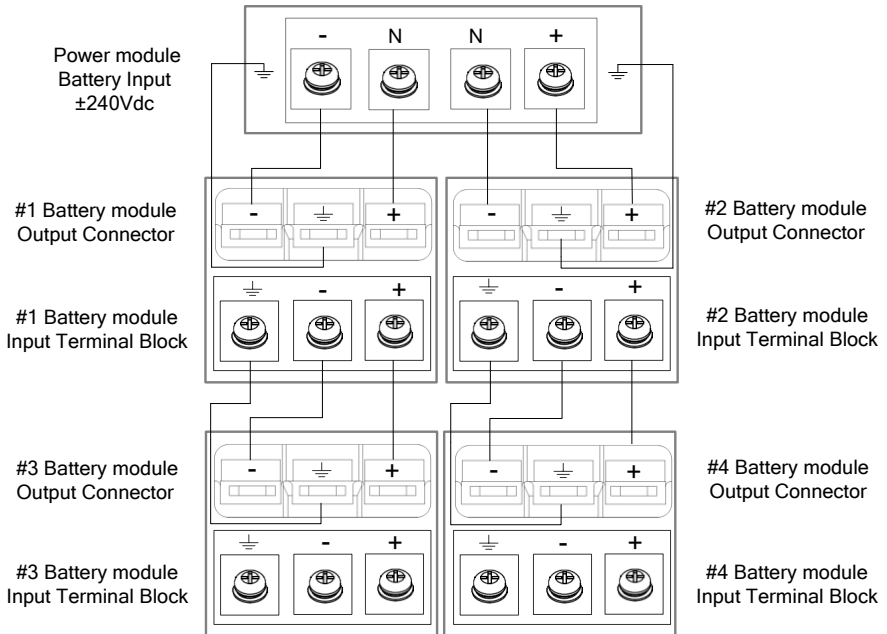
### 5.3. Two Battery modules with $\pm 240\text{Vdc}$ input of the Power module

Please refer to the following diagram and the steps of Connection #1.



### 5.4. Multiple Battery modules with $\pm 240\text{Vdc}$ input of the Power module

Please refer to the following diagram and the steps of Connection #2.



## 6. TECHNICAL SPECIFICATION

Model	BPSE240V75ART3U	BPSE240V75ART3UOA
<b>Battery</b>		
Sealed Maintenance Free Lead Acid Battery	12V / 7Ah x20PCS	12V / 9Ah x20PCS
Rated Battery Voltage	240Vdc	
Overload Protection	Fuse	
<b>Physical</b>		
Maximum Dimensions (WxHxD) (mm)	438x130.5x680	
Weight (kg)	55	66
<b>Environment</b>		
Operating Temperature	0°C to 40°C	
Relative Humidity	0 to 90%(Non-condensing)	

CyberPower Systems Inc.

[www.cyberpower.com](http://www.cyberpower.com)

6F, No. 32, Sec. 1, Chenggong Rd., Nangang District, Taipei 115, Taiwan

Entire contents copyright© 2013 CyberPower Systems Inc., All rights reserved. Reproduction in whole or in part without permission is prohibited. PowerPanel® Business Edition and PowerPanel® Personal Edition are trademarks of CyberPower Systems Inc.

