

32"-65" Ceiling Mount Dual Screen TV Bracket

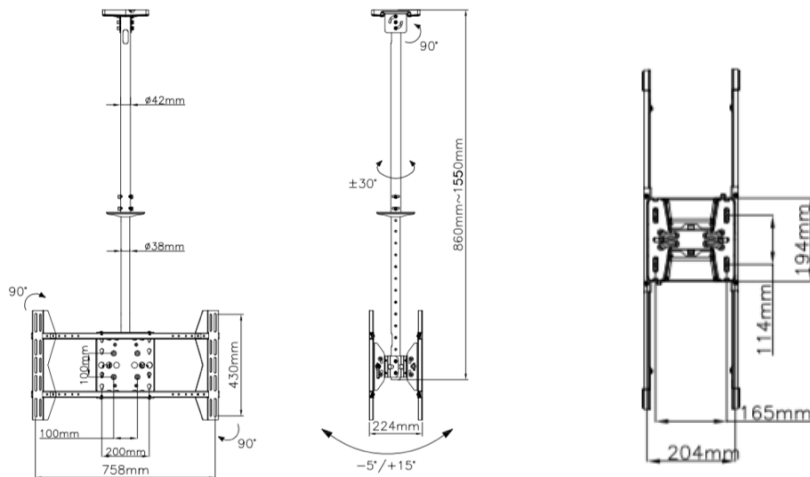
Model No.: 650370



I Overview

The equip® industrial-grade Dual Ceiling mount bracket mounting back-to-back displays in a commercial or digital signage application. Pinned tilt adjustment allows installation with precise and uniform screen angles, especially important when installing multiple flat panels in one area.

I Drawing



I Key Features

- Compatible with landscape and portrait mounting
- Adjustment knob enables a full range of tilt/swivel action
- Built in cable management
- Integrated bubble level assures easy installation alignment

I Specification

Material	Steel
Surface Finished	Powder Coating
Color	Black
Dimension	1500x600x300mm
Suggested Screen Size	32" - 65"
Support Curved TV	No
Screen Q'ty	2
Load Capacity	40KG (Per screen)
VESA Mount Standard	100x100 ~ 600x400
Tilt Range	-5° ~ +15°
Screen Rotation	-30° ~ +30°
Cable Management	Yes

I Package Contents

- 1 x Ceiling Mount Dual Screen TV Bracket
- 1 x Screw Pack
- 1 x Quick Installation Guide