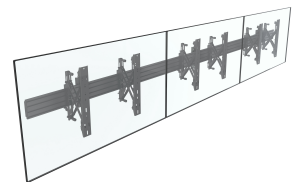
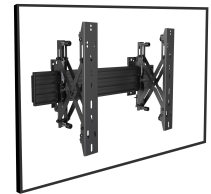
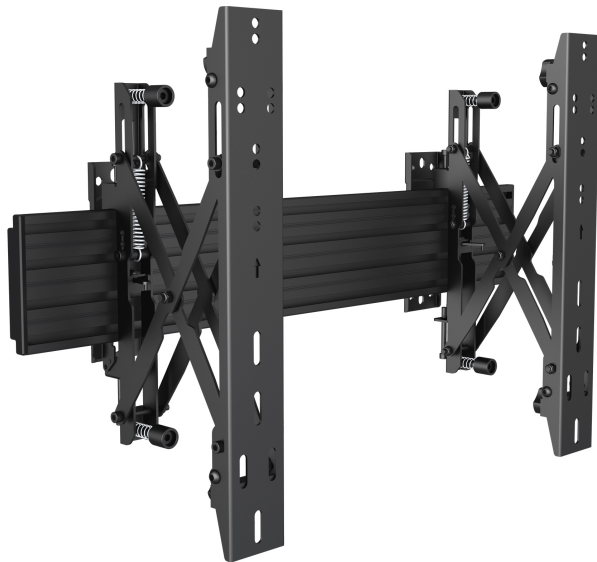
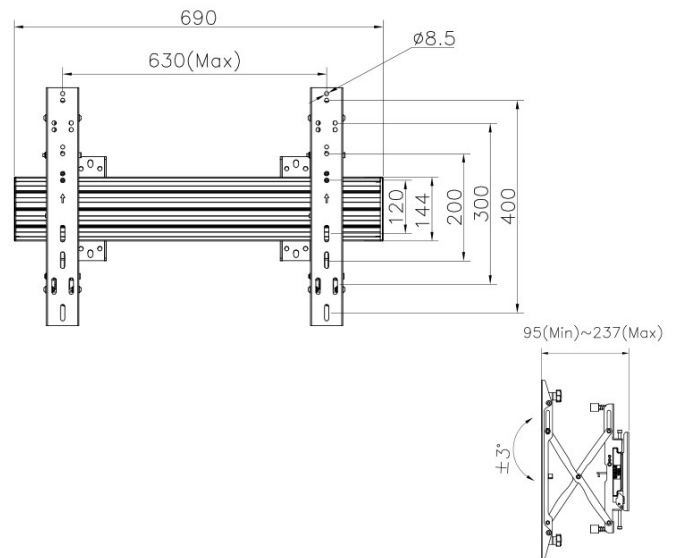


650355 37"-65" Modular Push-In Pop-Out TV Wall Mount Bracket

Product Images





Short Description

1. Push-In Pop-Out for easy access and after service
2. Built-in Cable management
3. Modular mount with unlimited video display configurations
4. VESA standards compliant
5. Max VESA: 600 x 400
6. Max Loading weight: 30kgs
7. Compatible with landscape and portrait mounting

Description

The equip® Push-In Pop-Out TV Wall Mount Bracket is a video wall solution quick to install, and easy to configure. Made especially for video wall applications. This is a professional mount focusing on multiple screen installations, easy and fast installation and simplified maintenance. The Push-In Pop-out feature gives easy-access to any display for quick serviceability. This is one of the major functions needed when building a video wall mounting solution or when integrating a single screen into the wall. Saving installation time and cost

Additional Information

Approval and compliance	RoHS
Compatible display size	32"-65"
Quick Release VESA Plate	No
Support Curved TV	No
Material	Stainless Steel
Load capacity (kg)	30KG
Mount	Wall mount
Pan (Swivel) range	+180° ~ -180°
No. of supported display	1
Tilt range	-3° ~ +3°
VESA compatibility	100x100 ~ 600x400
Bracket type	Tiltable & Swivel
Distance to Wall (Profile)	65~80mm
Product Size	690x447x95mm
Cable Management	Yes
Product weight (kg)	7
Color	Black
EAN	4015867207963
Model Number	650355
Package contents	650355 Manual screws kits
TV size	32"-65"
VESA support	100 x 100, 600 x 400
Dimensions (W x D x H)	420 x 95 x 690 mm

