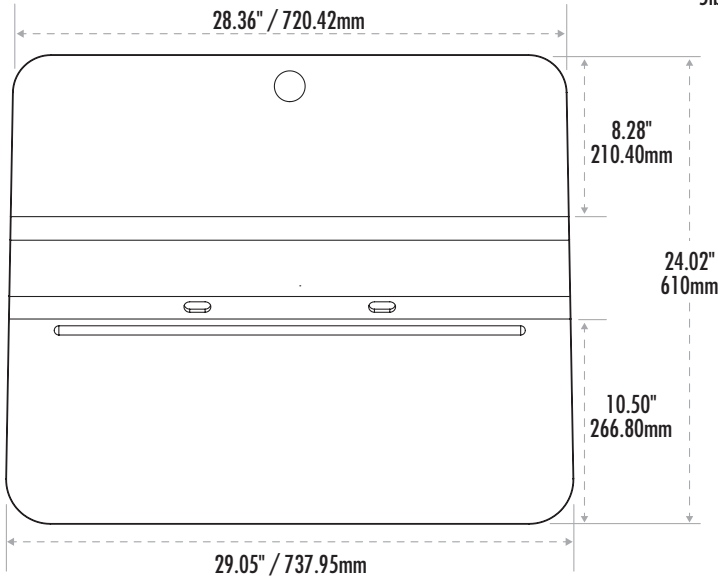


Lotus™ RT Sit-Stand Workstation

Dual: Dimensions

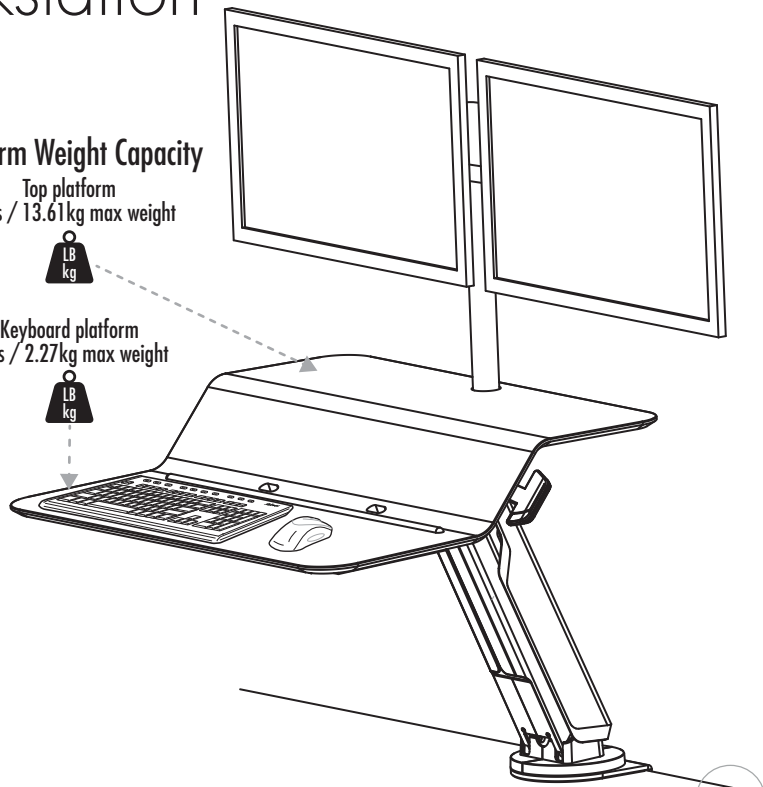


Platform Weight Capacity

Top platform
30lbs / 13.61kg max weight



Keyboard platform
5lbs / 2.27kg max weight



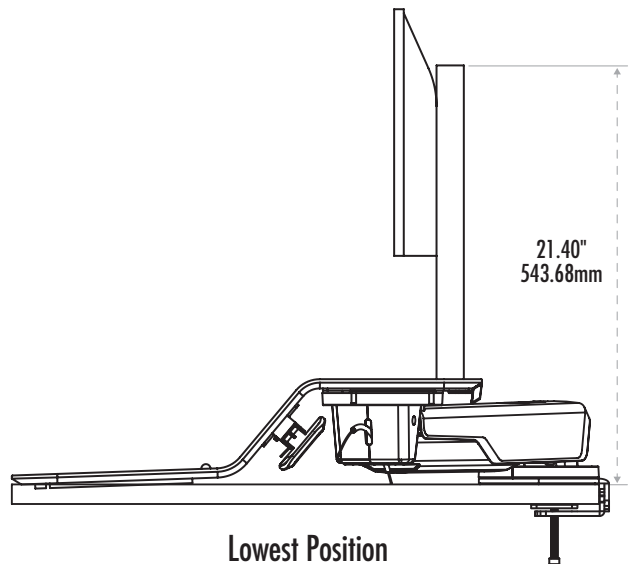
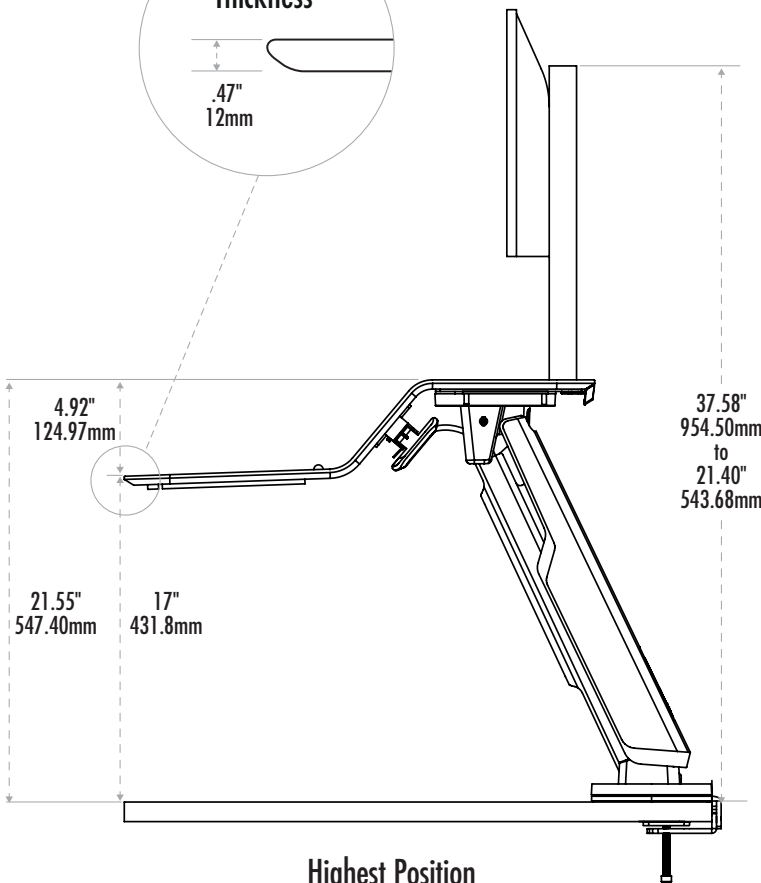
Desk Thickness

Min.
.75" / 19mm

Max.
3" / 76mm

Lotus™ RT Thickness

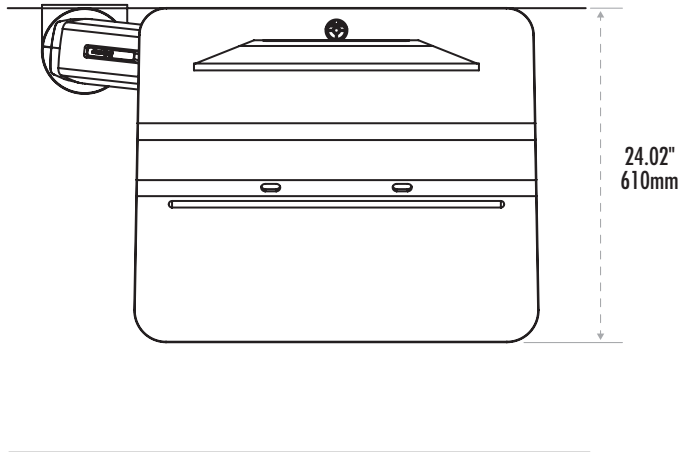
.47" / 12mm



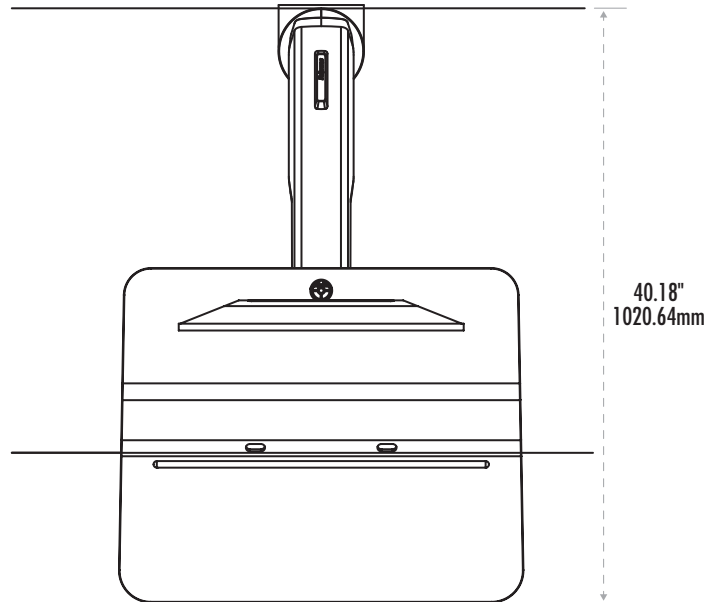
Lotus™ RT Sit-Stand Workstation

Dual: Dimensions

Minimum Reach

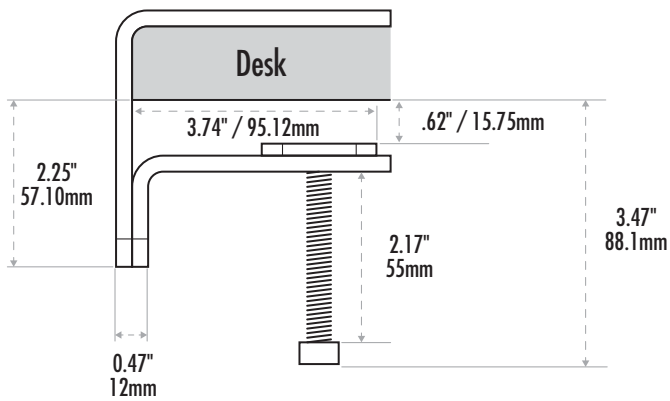


Maximum Reach



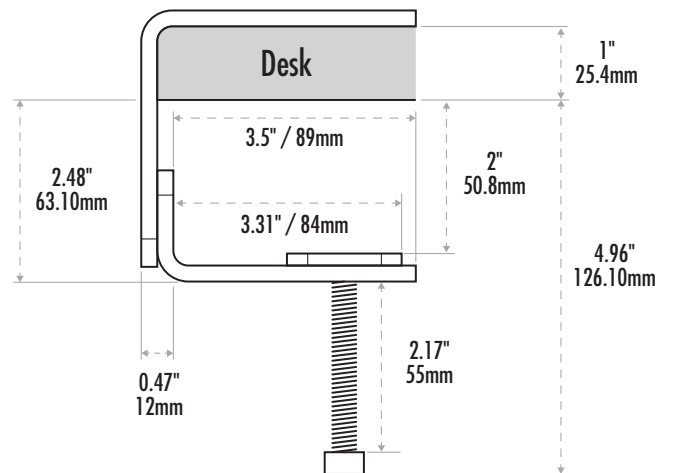
Desk Clamp Option A

Desk thickness of .75" to 1.62" / 19mm to 41.27mm



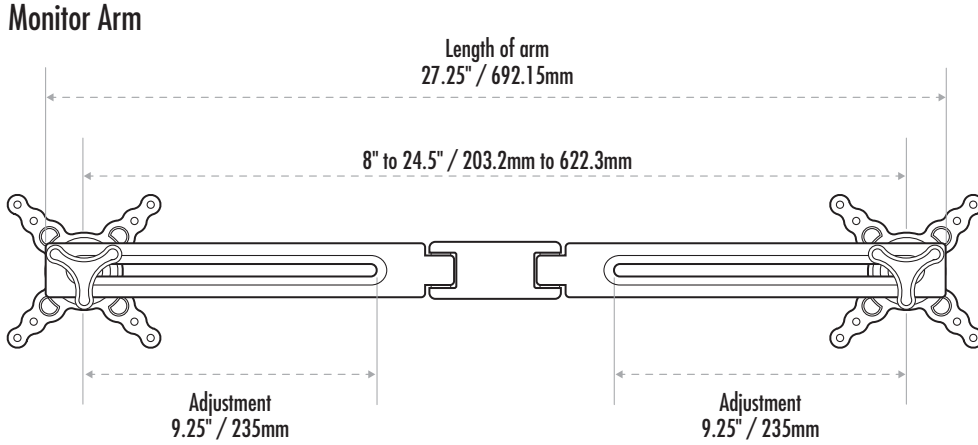
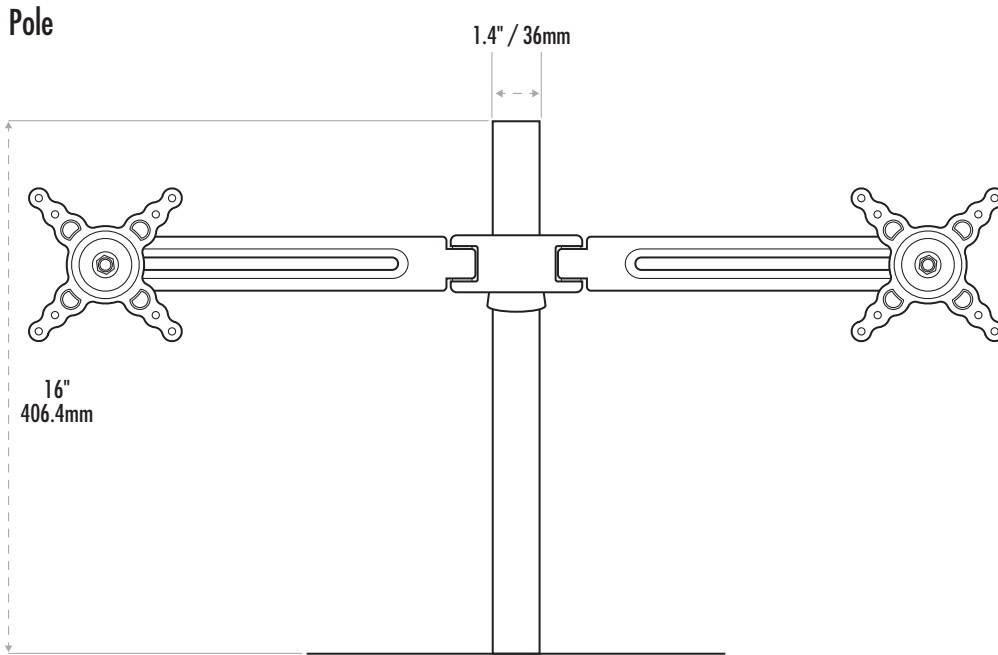
Desk Clamp Option B

Desk thickness of 1.63" to 3" / 41.28mm to 76mm



Lotus™ RT Sit-Stand Workstation

Dual: Dimensions



Maximum Monitor Size: 26" / 66.04mm

Maximum Monitor Weight:
13lbs / 5.9kgs per monitor

Monitor Rotation: 180°

Monitor Pan: 180°

Monitor Tilt: 100°

VESA: 75 x75 / 100 x 100