

DATA SHEET



USB-C 3.1 (Gen 1) Male to Male Cable (3A)

Connect any two standard USB-C enabled devices to simultaneously charge and transfer data.

OVERVIEW

The USB-C to C 3.1 Male to Male Cable is the perfect solution for connecting two standard USB-C enabled devices or accessories for charging and data transfer.

Ensure that a USB-C equipped laptop, smartphone, or tablet is fully charged and ready to go with the 3A charging output, while simultaneously transferring photos, music, or data at speeds up to 5 Gbps.

The USB-C connector has a symmetrical design which is identical on both sides, so no more worrying about whether it's upside-down or right-side-up. It will plug in the first time, every time—while preventing damage to the connector port.

FEATURES

- 3A charging output
- Data transfer speeds up to 5 Gbps
- Reversible, symmetrical USB-C connector

ITEM DESCRIPTION

88830	0.9m USB-C 3.1 (Gen 1) Male to Male Cable (3A)
-------	--

DATA SHEET

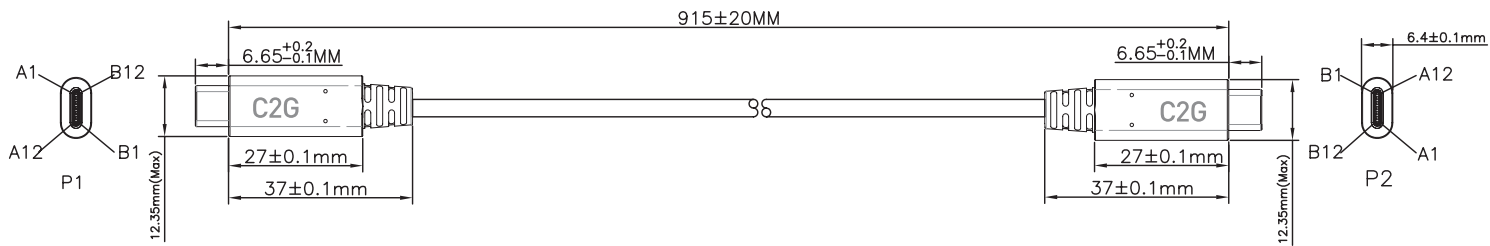
SPECIFICATIONS: USB-C 3.1 (Gen 1) Male to Male Cable (3A)

ELECTRICAL SPECIFICATIONS:

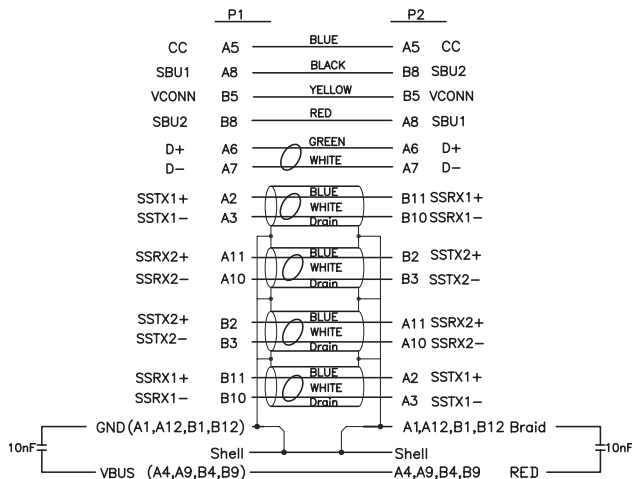
- UL20276[30AWG (7/0.1BC)+EAM]*4P+[32AWG(70.08BC)+EA]*1P+26AWG (19/0.1BC)*2C+[34AWG(7/0.06BC)+A]*2C+34AWG(7/0.06BC)*2C+AB (16/12/0.08TC) OD:5.2±0.15mm PVC Black
- Rated Temperature: 80°C ; Voltage: 30 V
- Max Conductor Resistance at 20°C: 30AWG , 378 OHMS/KM
- Insulation Resistance: 10M-KM MIN at 20°C DC 500V.(EIA—364—21)
- Dielectric Strength: AC 500V/1 Minute No Breakdown.(EIA—364—20)

PHYSICAL SPECIFICATIONS:

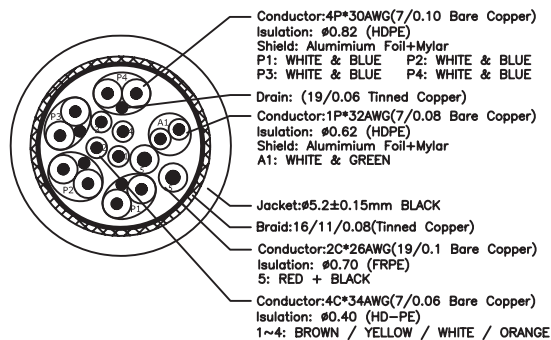
- Operating Temperature: 0 ~ 50°C; 15-85% RH (Non-Condensing)
- Storage Temperature: -25 ~ 70°C; 15-85% RH (Non-Condensing)
- P1: USB3.1 C Type Male: Contacts Terminal Gold Flash, Nickel Plated Shell; Black Insulation
- P2: USB3.1 C Type Male: Contacts Terminal Gold Flash, Nickel Plated Shell; Black Insulation
- Molding Material: Black PVC Conform RoHS
- Product is CE marked and conforms to 2011/65/EU RoHS2



Pin Assignment



CABLE Cross Section:.



C2G
A brand of **legrand**

Great King Street North
Birmingham, West Midlands B19 2LF
UK Phone (0)800 328 2916
EMEA Phone +44 (0)1952 677300
www.c2g.com/uk

Follow Us

