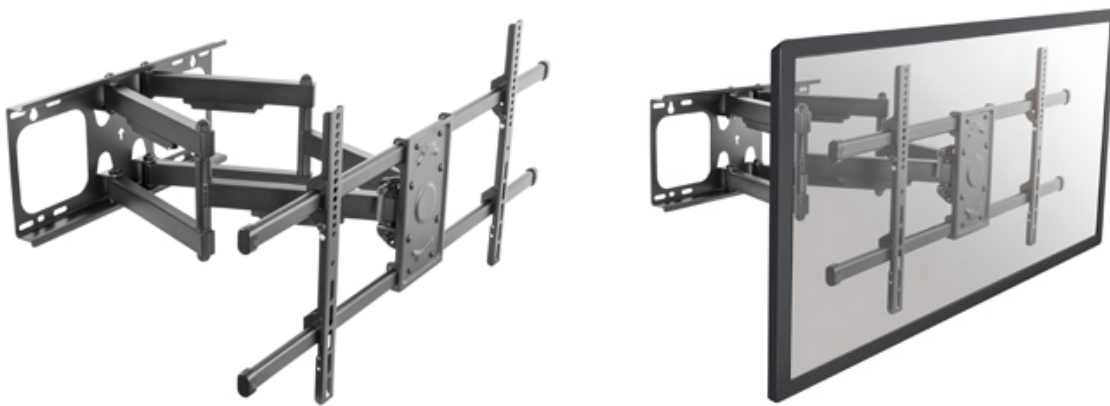


37" - 90" Tilt/Swivel TV Wall Mount Bracket

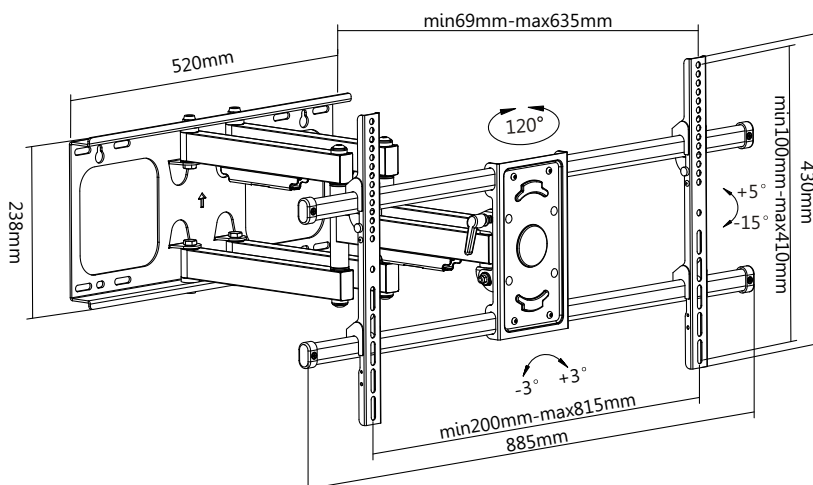
Model No.: 650324



I Overview

The equip[®] TV Wall Mount Bracket is a compact but sturdy product that ensures a reliable installation of your LCD/Plasma TV. Follow the graphic guide included in the package, you can install your TV on your own with ease. The wall bracket fits most of the wall materials- brick, concrete and wood, making the ideal choice for you to set up your screens.

I Drawing



I Key Features

- Swivel and tilt wall mount
- Built-in level adjustment ensures perfect positioning
- Swiveling arm offer maximum viewing flexibility
- VESA standards compliant

I Specification

Material	Steel
Surface Finished	Powder Coating
Color	Black
Dimension	635x885x430mm
Pipe Size	40x25x1.5mm
Suggested Screen Size	37" - 90"
Support Curved TV	Yes
Load Capacity	75KG
VESA Mount Standard	200x200, 300x300, 400x200, 400x400, 600x400, 800x400
Max. VESA	816x410mm
Mounting Hole Pattern	Universal
Distance to Wall	69 ~ 635mm
Screen Freely Tilting	No
Tilt Range	-15° ~ +5°
Screen Level	-3° ~ +3°
Swivel Range	-60° ~ +60°
Installation	Single Stud
Wall Plate Type	Fixed Wall Plate
Anti-Theft	No
Cable Management	Yes

I Package Contents

- 1 x Wall Mount Bracket
- 1 x Screw Pack
- 1 x Quick Installation Guide

