

DATA SHEET



HDMI® Cable with Gripping Connectors

High retention HDMI Cables that provide 3 times greater port retention than standard HDMI connectors

OVERVIEW

This High Speed HDMI with Ethernet Cable is perfect for home theatre or desktop audio video applications requiring high speed HDMI features and video resolutions up to 4k (2160p). The Ethernet capabilities of the cable allow a user to connect multiple Ethernet enabled HDMI devices through a single Ethernet connection for accessing interactive online content or updating device firmware. This fully-functional, high bandwidth cable is tested to perform at industry standards and is backed by a lifetime warranty. This cable can be utilized for network switch stacking with compatible equipment.

FEATURES

- Provides 3 times greater retention than standard HDMI
- High-Speed HDMI Cable with Ethernet
- Supports high bandwidth features such as:
 - Ultra HD
 - 4k @50/60hz
 - 3D
 - Deep Colour
 - Dolby True HD
 - DTS-HD Master Audio
- Gold plated connectors
- Lifetime Warranty

ITEM DESCRIPTION

82377	0.5m HDMI Cable with Gripping Connectors
82378	1m HDMI Cable with Gripping Connectors
82379	1.8m HDMI Cable with Gripping Connectors
82380	3m HDMI Cable with Gripping Connectors

DATA SHEET

SPECIFICATIONS: HDMI Cable with Gripping Connectors

ELECTRICAL SPECIFICATIONS:

- Voltage Rating: 30V
- Dielectric Strength: AC-500V/S Minute
- Conductor Resistance: 30AWG 3760/Km max at 20°C
- Insulation Resistance: DC 500 100MO/Km Min. at 20°C

PHYSICAL SPECIFICATIONS:

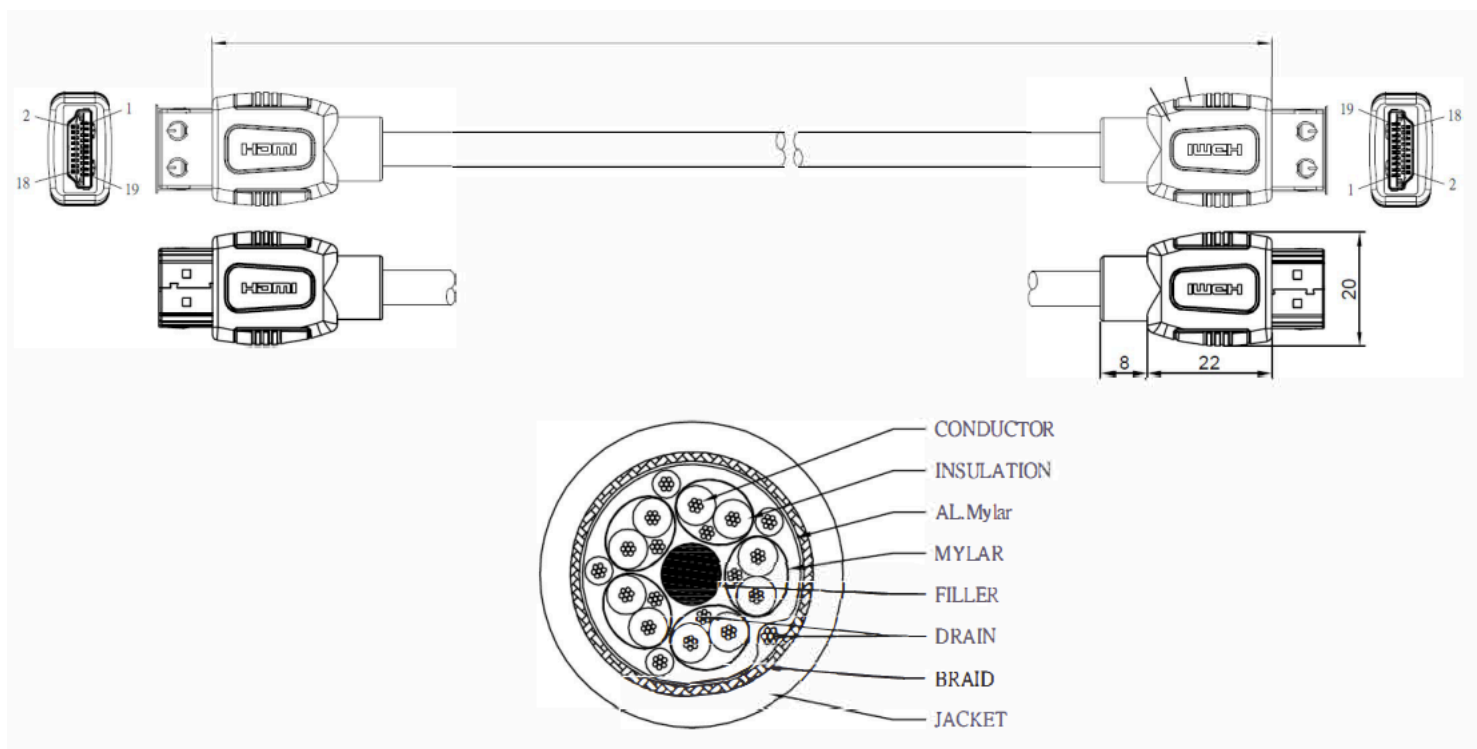
- Cable Outer Diameter: 6mm ± 0.15mm
- Shield: Aluminum Mylar - 100% Coverage 25% Overlap minimum
Braid - A-M Alloy 16/9 /0. 12mm
- Drain: 30AWG Tinned Copper 7 /0.10±0.008mm

CONDUCTOR:

- Material: Tinned Copper
- Size: 30AWG 7/0.10
- Insulation Pairs: FM-PE+Skin
- Colour Pairs: Black/White, Brown/White, Red/White, Green/White, Blue/White
- Colour Single: Red, Orange, Yellow, White

HDMI CONNECTOR:

- Gender: Male
- Insulation: Black
- Contact Material: Gold Flashing
- Port Retention: 6.6lbs Minimum withdraw force



C2G[®]
A brand of **legrand**

Great King Street North
Birmingham, West Midlands B19 2LF
UK Phone (0)800 328 2916
EMEA Phone +44 (0)1952 677300
www.c2g.com

Follow Us

