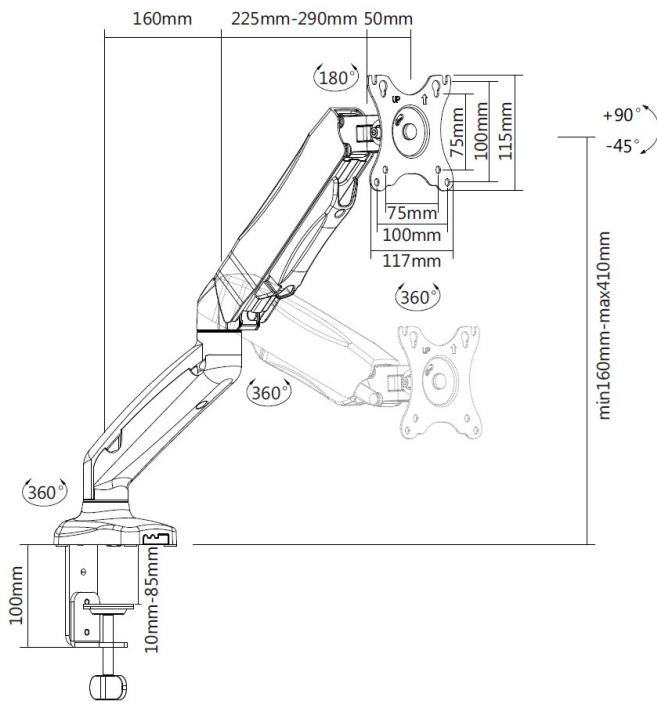


650120 17"-32" Interactive Monitor Desk Mount Bracket

Product Images





Short Description

1. Max. Load Capacity: 9Kg
2. Max. VESA: 100x100
3. Screen Rotation: 360° Mounting
4. Mounting Option: Clamp/Grommet
5. Gas spring structure offers perfect counterbalance presentation in all directions
6. Built-in Cable management
7. Both grommet and desk clamp mounting available
8. VESA standards compliant

Description

The equip@17"-32" Interactive Monitor Desk Mount Bracket with a gas spring structure is a dynamic solution designed to elevate your workspace efficiency. Built to accommodate monitors sized between 17 and 32 inches, this mount features a cutting-edge gas spring mechanism that enables effortless height adjustments and fluid motion. This allows you to effortlessly raise, lower, tilt, and swivel your monitor for a personalized ergonomic setup, reducing strain and enhancing comfort during long work sessions.

Ideal for various environments, including offices, creative studios, and home offices, this bracket optimizes desk space while providing a sleek and organized appearance with integrated cable management. The gas spring mechanism adds a touch of interactivity, enabling smooth transitions between sitting and standing positions. This interactive monitor desk mount bracket merges functionality with modern design, making it an ideal choice for those seeking a versatile and user-friendly workspace enhancement.

Additional Information

Approval and Compliance	RoHS
Compatible display size	17"-32"
Material	Plastic, Aluminum
Load capacity (kg)	9kg (per Monitor)
Mount	Desk mount
Pan (Swivel) range	+90° ~ -90°
Screens support quantity	1
Tilt range	+90° ~ -90°
VESA compatibility	75x75, 100x100
Screen Rotation	+180° ~ -180°
Installation	Grommet, Clamp
Cable management	Yes
Support Curved TV (Monitors)	Yes
Arm Full Extension	450mm
Quick Installation VESA Plate	Yes
Suggest Desktop Thickness	Clamp: Max.85mm, Grommet: Max.85mm
Product weight (kg)	1,97
Color	Black
EAN	4015867224366
Model Number	650120
Package Contents	650120 Manual screws kits
TV size	17"-32"
VESA support	75 x 75, 100 x 100
Dimensions (W x D x H)	468 x 117 x 570 mm
Load Capacity (kg per screen)	Total9.00

