

SPECIFICATION SHEET



5m USB 3.0 USB-A Male to USB-A Female Active Extension Cable

- Extend all functions of USB 3.0 up to 5m (16.4ft)
- Connect up to 2 extenders to reach lengths up to 10m (32.8ft)
- Powered through USB bus power
- Backwards Compatible with USB 2.0 and USB 1.1 devices
- Plug and Play—no driver required
- 3 year warranty



Specifications: 5m USB 3.0 USB-A Male to USB-A Female Active Extension Cable

Electrical Specifications:

Voltage Rating:	30V
Conductor Resistance:	32AWG 588.85Ω/km at 20°C
Insulation Resistance:	10m-km/min at 20°C DC 500V (EIA-364-21)
Dielectric Strength:	AC 500V/1 minute No breakdown (EIA-364-20)

Physical Specifications:

Operation Temperature:	0°C - 50°C; 15-85% RH (Non-Condensing)
Storage Temperature:	-25°C - 70°C; 15-85% RH (Non-Condensing)
Jacket:	PVC
Outer Diameter:	3.9 ± 0.1mm
Shield:	Braid 16/9/0.06(TC)

Conductor 1 (2 Conductors, 5 Pair):

Conductor:	34 AWG 7/.06(TC)
Insulation:	0.45 (HD-PE)
Shield:	Aluminum Mylar
Colour:	P1 White / Green, P2 White / Red, P3 White / Green, P4 White / Blue

Conductor 2 (2 Conductors):

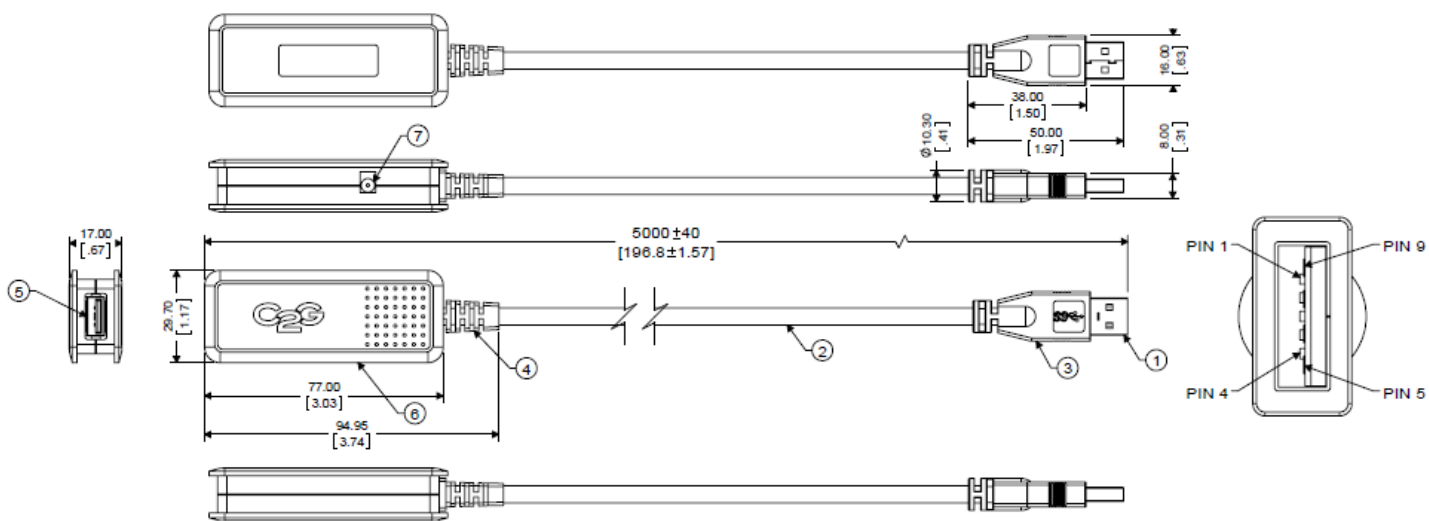
Conductor:	24 AWG 7/.205(TC)
Insulation:	0.90 (HD-PE)
Colour:	Red, Black

Conductor 3 (6 Conductors):

Conductor:	32 AWG 7/.08(TC)
Insulation:	0.50 (HD-PE)
Shield:	Aluminum Mylar
Colour:	White, Green, Brown, Yellow, Blue, Orange



Specifications: 5m USB 3.0 USB-A Male to USB-A Female Active Extension Cable



Part Number	Description	Weight (lbs)
89943	5m USB 3.0 USB-A Male to USB-A Female Active Extension Cable	0.707



Great King Street North
 Birmingham, West Midlands B19 2LF
 UK Phone (0)800 328 2916
 EMEA Phone +44 (0)1952 677300
www.c2g.com

Follow Us

