



DAC-0101 Version: 1

10Gbps SFP Direct Attach Copper Cable, 1m, Twinax

The SFP+ passive cable assemblies are high performance, cost effective I/O solutions for 10G Ethernet and 10G Fiber Channel applications. SFP+ copper modules allow hardware manufactures to achieve high port density, configurability and utilization at a very low cast and reduced power budget. The high speed cable assemblies meet and exceed Gigabit Ethernet and Fiber Channel industry standard requirements for performance and reliability

Key Features

- Support for multi-gigabit data rates up to 10.5Gbps
 - Data rates backward compatible to 1Gbps
 - Hot-pluggable SFP 20PIN footprint
 - I/O Connector designed for high speed differential signal applications
 - Improved Pluggable Form Factor(IPF) compliant for enhanced EMI/EMC performance
 - Compatible to SFP+ MSA
 - Temperature Range: 0~ 70 °C
 - RoHS Compatible
-

Specifications

System Specifications

Connectors and Cabling:

Passive Copper Cable AWG 30

Power Input:

Supply Voltage: 3.3V

Max Voltage/Current: 3.6V/300mA

Features

General:

Hot-swappable

Performance

Data Transfer Rate:

Support for multi-gigabit data rates up to 10.5Gbps



Operating Distance:

1 meter

Environment

Temperature (°C):

Operating: 0°C ~ 70°C

Storage: -40 ~ 85°C

Humidity (Non-condensing):

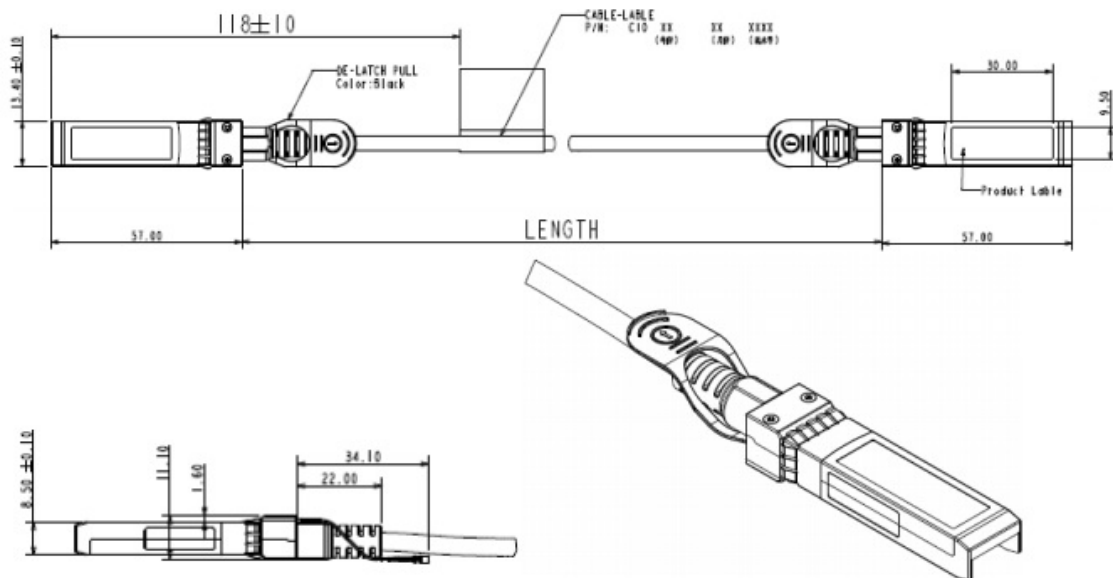
5 ~ 95%

Physical Specifications

Weight (g):

100g

Diagram



Order Information

DAC-0101

Package Contents

DAC-0101

No liability or responsibility for any errors or omissions in the content.
Specifications are subject to change without notice.
All mentioned brand names are registered trademarks and property of their owners.
Copyright © Digital Data Communications GmbH, Germany. All Rights Reserved.