



## 6m 400 Series N Plug to N Jack Antenna Cable



ANC-4160

H/W Version: 2

DDC 400 Series cable assemblies are manufactured from the highest performance Low Loss cable. It is the preferred cable for distances greater than 3m, and has become the "standard" for all outdoor antenna cabling.

### Weatherability

DDC 400 series cables designed for outdoor exposure incorporate the best materials for UV resistance and have life expectancy in more than 10 years.



- 1. N-jack Connector
- 2. N-plug Connector

### Related Products



**ANC-4130**  
DDC 400 Series N plug-N  
jack-3m

## Technical Specifications

### CONDUCTOR

#### Frequency Range

DC~6GHz

#### AWG

17

#### Material

Copper Coated Aluminum

#### Composition

1/2.74mm

#### Outside Diameter

2.74±0.03mm

### INSULATION

#### Material

GFPE

#### Outside Diameter

7.24±0.15 mm

#### Thickness

2.3mm

### SHIELD

#### Material

Double Sides Bonded Aluminum Foil

#### Composition

0.038mm

#### Material

Tinned Copper Wire

#### Composition

24\*7/0.16mm

#### Outside Diameter

7.92mm

### JACKET

#### Material

PVC (RoSH)

#### Outside Diameter

10.3±0.2mm

#### Thickness

1.2mm

#### Color

Black

#### Conductor Resistance

4.6 ↓ Ω/Km

#### Insulation Resistance

1000 ↑ MΩ/Km

#### Spark Test

3000V

#### Impedance

50±3Ω

#### Capacitance

79±3 PF/M

### VSWR

1000~2000MHZ ≤1.2

3000~6000MHZ ≤1.5

### Attenuation (100 ft)

30 MHZ 0.7dB

150 MHZ 1.5dB

450 MHZ 2.7dB

900 MHZ 3.9dB

1500 MHZ 5.1dB

1800 MHZ 5.7dB

2500 MHZ 16.8dB

### INSULATION

#### Tensile Strength (UNAGED)

500 ↑ Psi

#### Tensile Strength (AGED)

70 ↑ %

#### Elongation (UNAGED)

85 ↑ %

#### Elongation (AGED)

60 ↑ %

### JACKET

#### Tensile Strength (UNAGED)

1500 ↑ Psi

#### Tensile Strength (AGED)

70 ↑ %

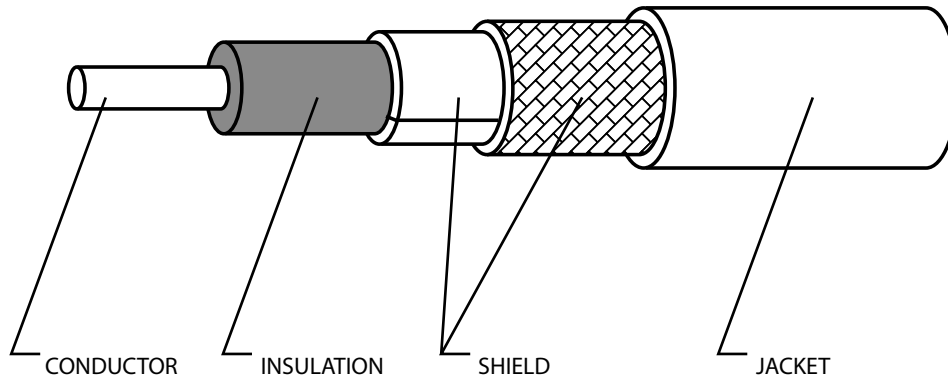
#### Elongation (UNAGED)

100 ↑ %

#### Elongation (AGED)

65 ↑ %

## Dimension Diagram



### Order Information

**ANC-4160:** 6m 400 Series N Plug to N Jack Antenna Cable

### Package Contents

ANC-4160