

## Projector Ceiling Mount Bracket

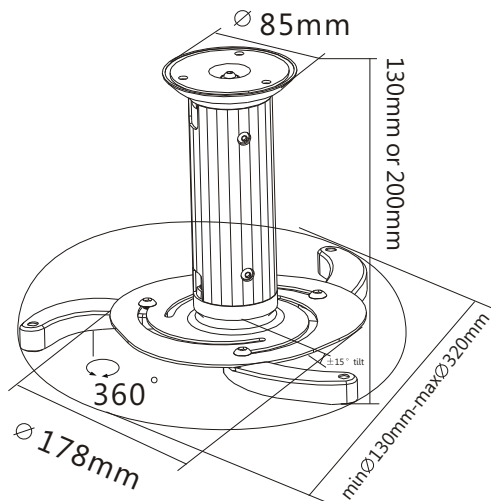
Model No.: 650700



### I Overview

The equip<sup>®</sup> Universal Projector Ceiling/Wall Mount Bracket is a compact but sturdy product that ensures a reliable installation of your projector. Follow the graphic guide included in the package, you can install your projector on your own with ease.

### I Drawing



[www.equip-info.net](http://www.equip-info.net)

## I Key Features

- Sturdy and lightweight aluminum construction
- Built in Cable Management

## I Specification

<b>Material</b>	Aluminum
<b>Steel Surface Finished</b>	Sand-Blasted Aluminum, Anodized
<b>Color</b>	Silver
<b>Dimension</b>	200x337x337mm
<b>Load Capacity</b>	10KG
<b>Mounting Range</b>	130 ~ 320mm
<b>Tilt Range</b>	+15°~-15°
<b>Rotation</b>	360°
<b>Distance to Wall</b>	130 or 200mm
<b>Cable Management</b>	Yes

## I Package Contents

- 1 x Projector Bracket
- 1 x Screw Pack
- 1 x Quick Installation Guide

