

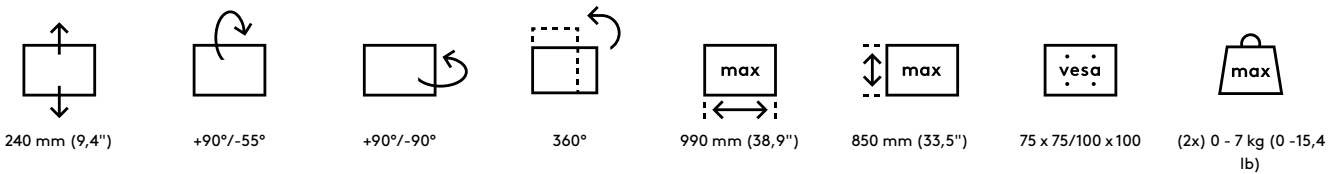
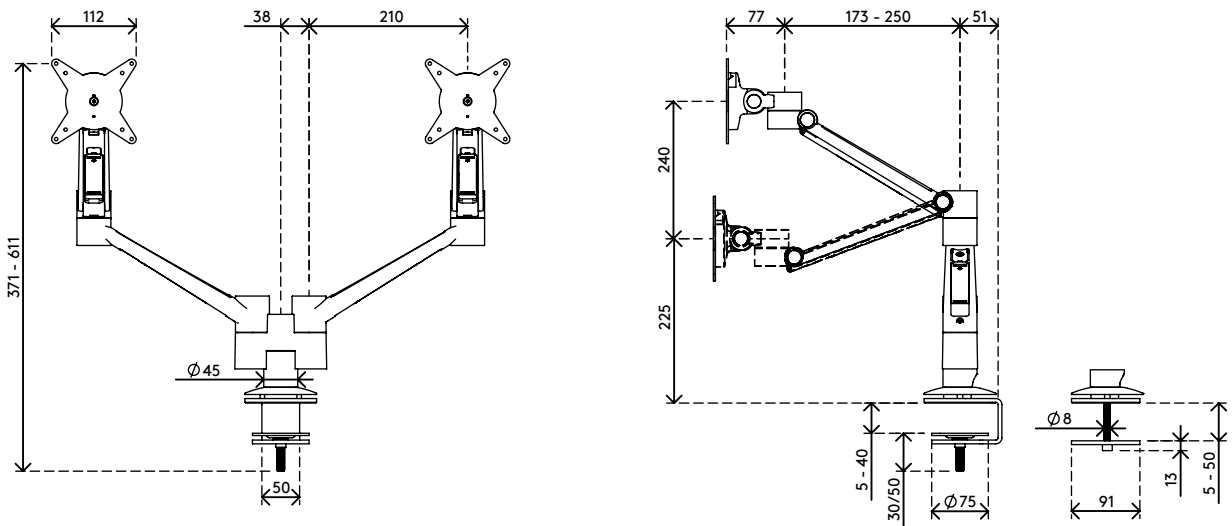
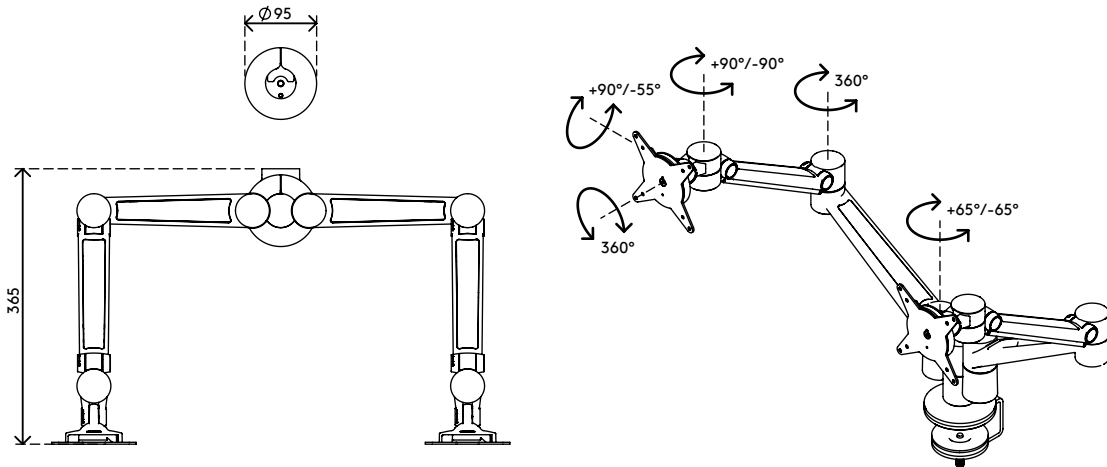
58.652

Viewlite plus monitor arm - desk 652

Mounts two monitors or devices that you can adjust independently in depth and dynamically in height. This makes it easy to align different display devices and lets each user find their own optimal ergonomic position.

- Dynamic height adjustment range of 240 mm (9,4")
- Independent depth adjustment
- Integrated cable management
- Main components made of aluminium
- 40% of aluminium content is already recycled
- VESA MIS-D 75 x 75/100 x 100 mm compatible
- Monitor: tilt +90°/-55°, swivel +90°/-90°, rotate 360°
- Arm: swivel +65°/-65°
- Swivel limiter pre-set to +65°/-65° (can be set to only +65°)
- Weight capacity min. 0 kg - max. 7 kg (0 - 15,4 lb) per monitor
- Comes with a desk clamp mount and bolt-through desk mount
- Suitable for a desktop thickness of 5 up to 40 mm (0,2" - 1,6") (clamp) or 50 mm (2,0") (bolt through)
- Monitor size limit: width 990 mm (39,0") - height 850 mm (33,5")
- Fitted with a practical quick-release VESA system
- Monitor rotation lock can be enabled

viewlite X



Viewlite plus monitor arm - desk 652


2019/11/19


58.652

 385 x 280 x 240 mm

 1 pcs

 silver-white

 7,9 kg

 805410586522