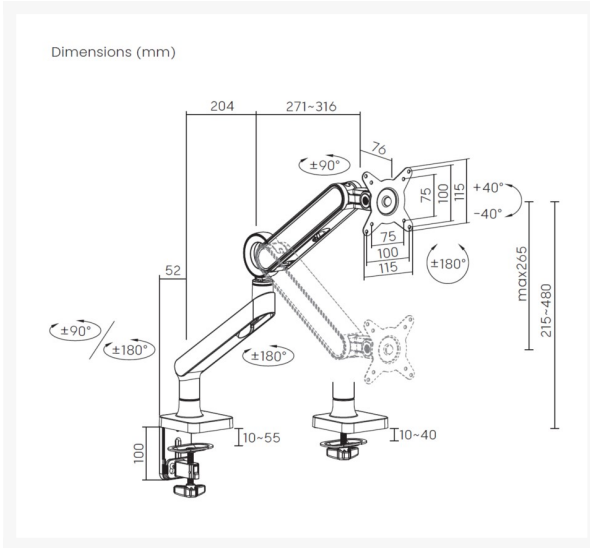


650185 17"-35" Premium Monitor Desk Mount Bracket, White

Product Images





Short Description

- Max. Load Capacity: 10.5Kg
- Max. VESA: 75x75, 100x100
- Sturdy and lightweight aluminum construction
- Gas spring structure offers perfect counterbalance presentation in all directions
- Built-in spring tension gauge can be easily adjusted to fit varied weights on the arm
- Tool-free height adjustment
- VESA standards compliant
- Free-tilting design for multiple monitor viewing angles
- Detachable VESA Plate Design
- Cable clips keep cables organized and protected

Description

The Equip 650185 17"-35" Premium Monitor Desk Mount Bracket is a high-quality and versatile solution designed to elevate your workspace. This premium mount is crafted to support monitors ranging from 17 inches to 35 inches in size, providing stability and flexibility for a superior display experience.

Crafted with precision and durability in mind, the premium desk mount bracket ensures a secure and stable foundation for monitors with varying weights. The sleek and modern design complements your workspace aesthetics, creating a professional and organized look.

The adjustable features of this premium mount allow for personalized positioning, enabling optimal ergonomic arrangements tailored to your preferences. Whether you're a professional requiring precision in your work or a gamer seeking an immersive display setup, this premium bracket delivers on both performance and style.

Installation is seamless, and the mount is compatible with various desk surfaces. The premium build guarantees long-lasting quality, making it a reliable choice for enhancing your workstation. Additionally, cable management features contribute to a clean and clutter-free workspace.

Additional Information

| | |
|-------------------------------|--|
| Color | White |
| EAN | 4015867236109 |
| Model Number | 650185 |
| Compatible Display Size | 17"-35" |
| Approval and Compliance | RoHS & REACH |
| Package Contents | Desk Mount Bracket User Manual Screws kits |
| Product weight (kg) | 2.95 |
| Dimensions (W x D x H) | 115 x 603 x 652 mm |
| Screen Rotation | +180°~-180° |
| Quick Installation VESA Plate | Yes |
| Support Curved TV (Monitors) | Yes |
| Cable management | Yes |
| Installation | Clamp,Grommet |
| Material | Plastic, Stainless Steel, Aluminum |
| VESA compatibility | 75x75,100x100 |
| Tilt range | +40°~-40° |
| Screens support quantity | 1 |
| Pan (Swivel) range | +90°~-90° |
| Mount | Desk mount |
| Load Capacity (kg) | 10.5kg |

