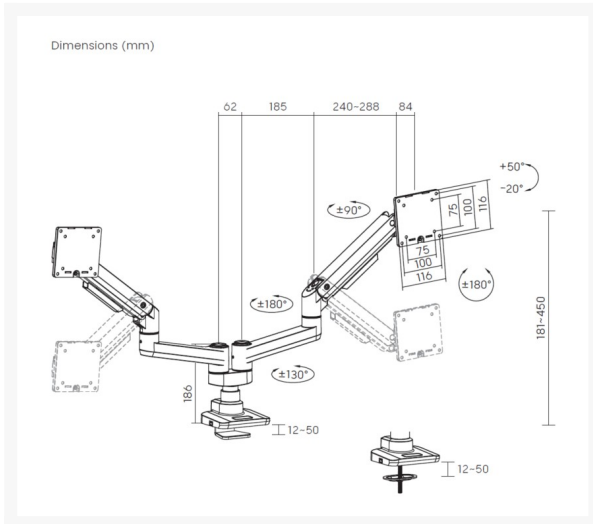


650183 17"-35" Heavy-Duty Dual Monitor Desk Mount Bracket, White

Product Images





Short Description

- Max. Load Capacity: 20Kg (per screen)
- Max. VESA: 100x100
- Sturdy and lightweight aluminum construction
- Gas spring structure offers perfect counterbalance presentation in all directions
- Built-in spring tension gauge can be easily adjusted to fit varied weights on the arm
- VESA standards compliant
- Free-tilting design for multiple monitor viewing angles
- Detachable VESA Plate Design
- Cable clips keep cables organized and protected

Description

The Equip 650183 17"-35" Heavy-Duty Dual Monitor Desk Mount Bracket is a robust and versatile solution for organizing and optimizing your workspace. This heavy-duty mount is specifically designed to support dual monitors ranging from 17 inches to 35 inches in size, making it an ideal choice for users who require durability and stability for larger dual-display configurations.

Featuring a sturdy construction, the heavy-duty dual monitor desk mount bracket ensures stability and secure support for monitors with varying weights. The dual-arm design allows for independent movement of each monitor, providing flexibility in positioning and enabling optimal ergonomic arrangements. Whether you're a professional multitasking with multiple applications or a gamer seeking an immersive dual-monitor experience, this mount caters to a variety of needs.

Additional Information

Color	White
EAN	4015867236086
Model Number	650183
Compatible Display Size	17"-35"
Approval and Compliance	RoHS & REACH
Package Contents	Desk Mount Bracket User Manual Screws kits
Product weight (kg)	6.42
Dimensions (W x D x H)	1033 x 133 x 530 mm
Screen Rotation	+180°~-180°
Quick Installation VESA Plate	Yes
Support Curved TV (Monitors)	Yes
Pipe Size (Pole height)	186mm
Cable management	Yes
Installation	Clamp,Grommet
Material	Plastic, Stainless Steel, Aluminum
VESA compatibility	75x75,100x100
Tilt range	+50°~-20°
Screens support quantity	2
Pan (Swivel) range	90°~-90°
Mount	Desk mount
Load Capacity (kg)	20kg

