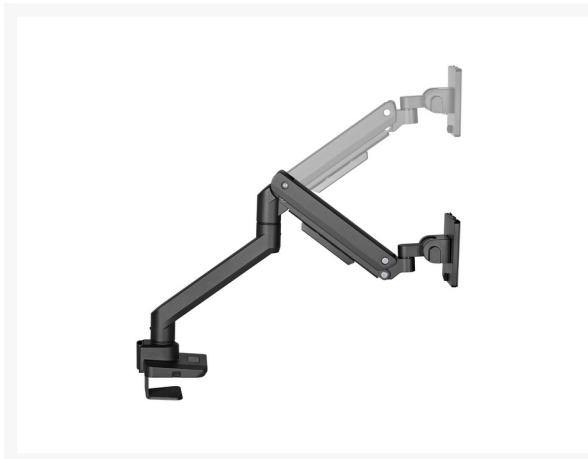
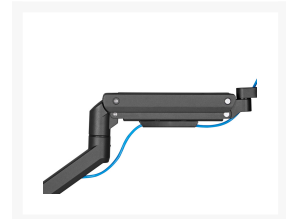
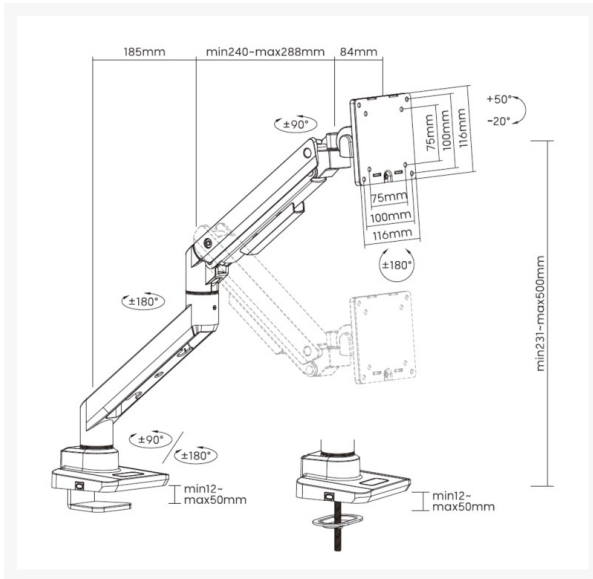


650180 17"-49" Heavy-Duty Monitor Desk Mount Bracket, Black

Product Images





Short Description

- Max. Load Capacity: 20Kg (per screen)
- Max. VESA: 100x100
- Sturdy and lightweight aluminum construction
- Gas spring structure offers perfect counterbalance presentation in all directions
- Built-in spring tension gauge can be easily adjusted to fit varied weights on the arm
- VESA standards compliant
- Free-tilting design for multiple monitor viewing angles
- Detachable VESA Plate Design
- Cable clips keep cables organized and protected

Description

The Equip 650180 17"-49" Heavy-Duty Monitor Desk Mount Bracket is a robust and versatile solution for managing larger monitors in your workspace. Designed to accommodate monitors ranging from 17 inches to 49 inches in size, this mount is ideal for heavy-duty applications and larger display setups.

Featuring a durable construction, the heavy-duty desk mount bracket provides stability and secure support for monitors of varying weights. The adjustable design allows for versatile positioning, making it suitable for a variety of professional and creative tasks. Whether you're a designer, video editor, or enthusiast gamer, this mount offers flexibility in arranging and aligning your larger monitors.

Installation is straightforward, and the mount is compatible with a range of desk surfaces. The heavy-duty build ensures long-lasting performance and durability. Additionally, the integrated cable management system helps keep your workspace tidy by organizing and concealing cables.

Additional Information

Color	Black
EAN	4015867236055
Model Number	650180
Compatible Display Size	17"-49"
Approval and Compliance	RoHS & REACH
Compatible display size	17"-49"
Package Contents	Desk Mount Bracket User Manual Screws kits
Product weight (kg)	3.59
Dimensions (W x D x H)	132 x 558 x 575 mm
Screen Rotation	+180°~-180°
Quick Installation VESA Plate	Yes
Support Curved TV (Monitors)	Yes
Cable management	Yes
Installation	Clamp,Grommet
Material	Plastic, Stainless Steel, Aluminum
VESA compatibility	75x75,100x100
Tilt range	+50°~-20°
Screens support quantity	1
Pan (Swivel) range	+90°~-90°
Mount	Desk mount
Load Capacity (kg)	20kg

