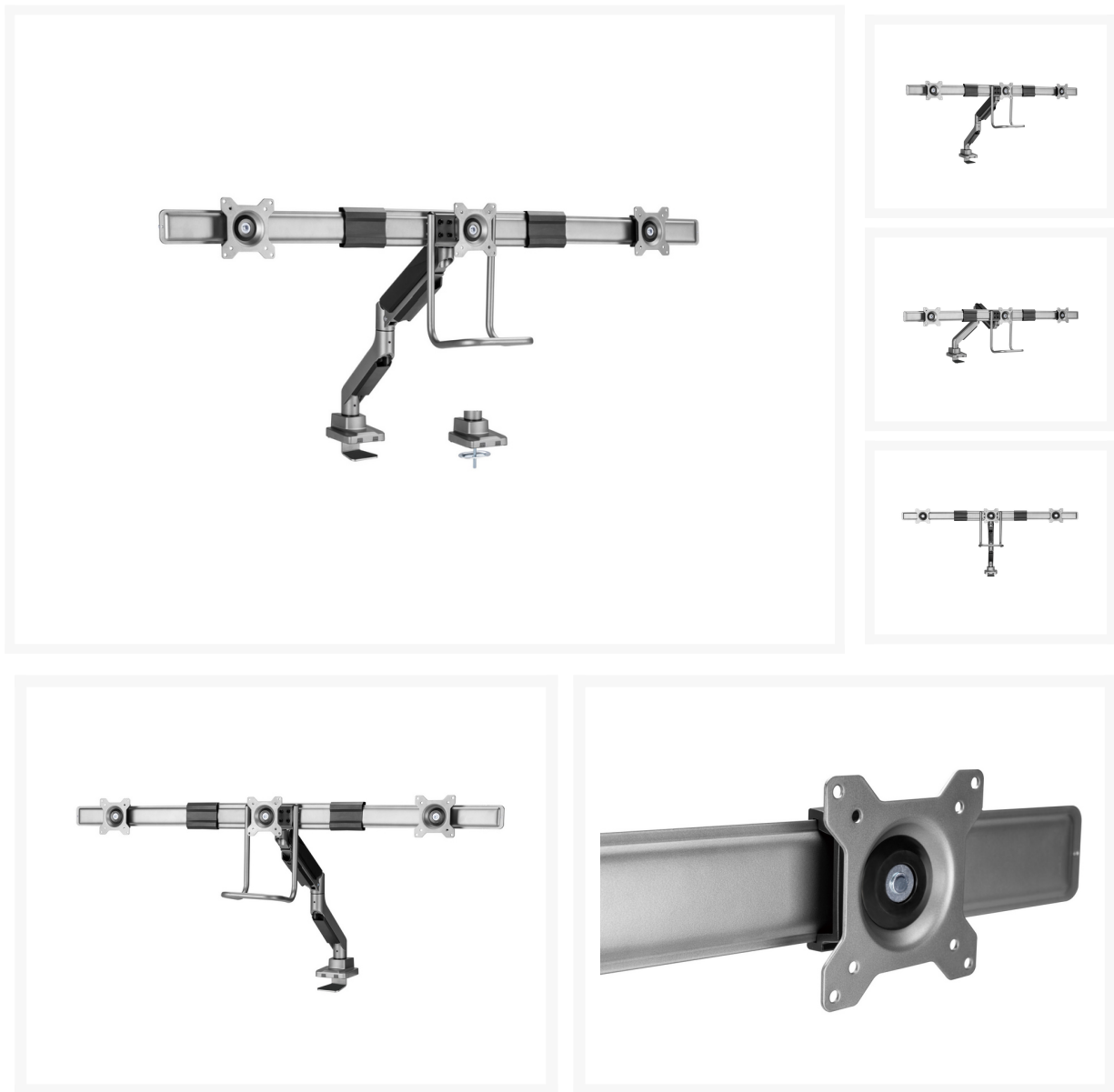
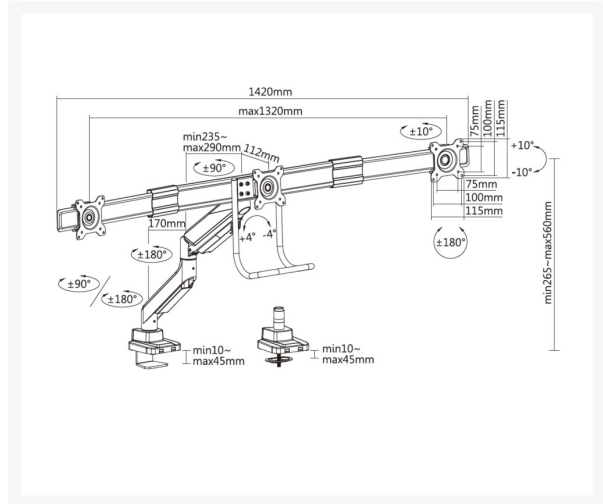


650162 17"-27" Triple Monitor Desk Mount Bracket

Product Images





Short Description

- Max. Load Capacity: 6Kg (per screen)
- Max. VESA: 100x100
- Mounting Option: Clamp/Grommet
- Gas Spring-Assisted Monitor Arm
- Easy-Grip Handle: makes pull-down and placement a snap
- Sliding Horizontal Monitor Bar: for easy seamless monitor placement
- Curved Horizontal Rail: for improved viewing position
- VESA standards compliant
- Cable clips keep cables organized and protected

Description

The Equip 650162 17"-27" Triple Monitor Desk Mount Bracket is a versatile and space-saving solution for enhancing your workstation. Designed to support three monitors ranging from 17" to 27", this mount provides an expansive and immersive viewing experience.

With a robust construction, the desk mount bracket ensures stability and durability,

accommodating the weight of three monitors securely. The triple-arm design allows for independent movement of each monitor, enabling you to customize the arrangement to suit your preferences. This flexibility is ideal for professionals who require multiple screens for efficient multitasking or gamers seeking an immersive gaming setup.

Additional Information

Color	Grey
EAN	4015867236048
Model Number	650162
Compatible Display Size	17"-27", 17"-27"
Approval and Compliance	RoHS & REACH
Package Contents	Desk Mount Bracket User Manual Screws kits
Product weight (kg)	8.35
Dimensions (W x D x H)	1440 x 695 x 645 mm
Screen Rotation	+180°~-180°
Quick Installation VESA Plate	Yes
Support Curved TV (Monitors)	Yes
Cable management	Yes
Installation	Clamp,Grommet
Material	Plastic, Stainless Steel, Aluminum
VESA compatibility	75x75,100x100
Tilt range	+10°~-10°
Screens support quantity	3
Pan (Swivel) range	+10°~-10°
Mount	Desk mount
Load Capacity (kg)	6kg

