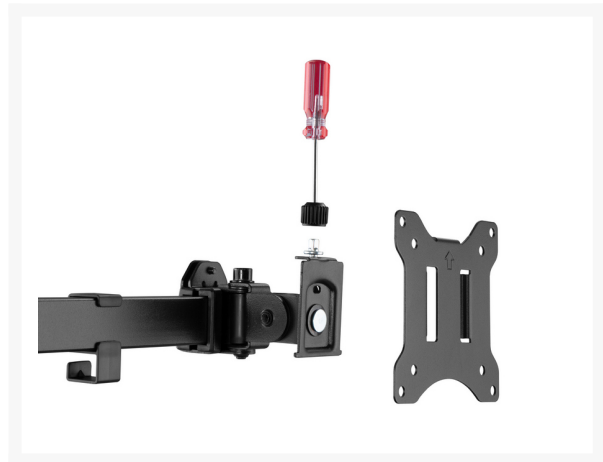
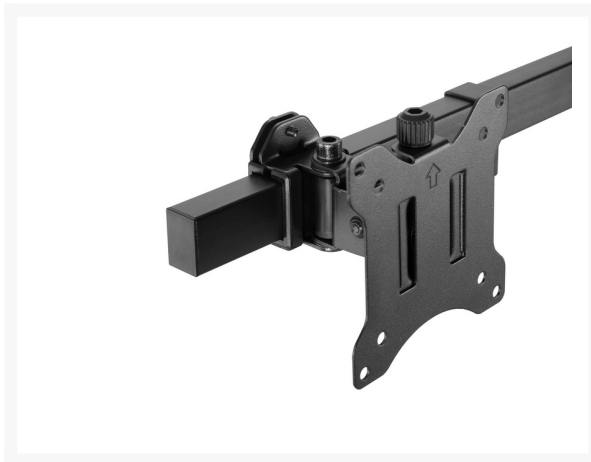
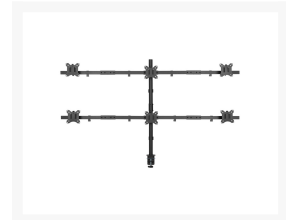
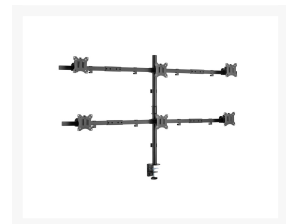
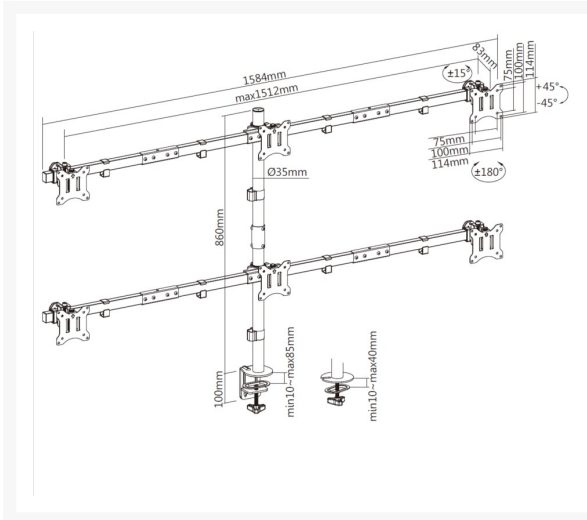
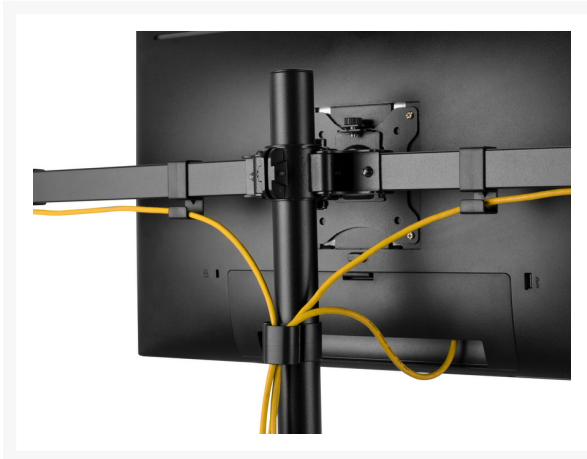


650160 17"-32" Articulating 6 Monitor Desk Mount Bracket

Product Images





Short Description

- Max. Load Capacity: 7Kg (per screen)
- Max. VESA: 100x100
- Mounting Option: Clamp/Grommet
- Sturdy Steel Construction: provides a solid and long-lasting performance
- Both grommet and desk clamp mounting available
- Freely adjusting height for an optimal ergonomic position
- VESA standards compliant
- Free-tilting design for multiple monitor viewing angles
- Detachable VESA Plate Design
- Portrait or Landscape viewing : fits any installation
- Cable clips keep cables organized and protected

Description

The Equip 650160 17"-32" Articulating 6 Monitor Desk Mount Bracket is a versatile and efficient solution for optimizing your workspace. This bracket is designed to accommodate six monitors with screen sizes ranging from 17" to 32" offering a flexible

and expansive display setup.

With its articulating arms, this mount allows you to adjust the position and angle of each monitor individually. This feature enhances ergonomic comfort and helps reduce eye strain by allowing you to customize the viewing angles according to your preferences and needs.

The sturdy construction of the bracket ensures stability and durability, providing a secure platform for your monitors. The sleek and modern design not only adds a professional look to your workspace but also helps in organizing and decluttering your desk.

Installation is made easy with a user-friendly design, and the mount is compatible with VESA mounting patterns for seamless integration with a variety of monitors. Cable management features help keep your cables tidy and organized, contributing to a clean and professional appearance.

Additional Information

Color	Black
EAN	4015867236024
Model Number	650160
Compatible Display Size	17"-32", 17"-32"
Approval and Compliance	RoHS & REACH
Compatible display size	17"-32"
Package Contents	Desk Mount Bracket User Manual Screws kits
Product weight (kg)	10.35kg
Dimensions (W x D x H)	1626 x 200 x 990 mm
Screen Rotation	+180°~-180°
Quick Installation VESA Plate	Yes
Support Curved TV (Monitors)	Yes
Pipe Size (Pole height)	860mm
Cable management	Yes
Installation	Clamp,Grommet
Material	Plastic, Stainless Steel, Aluminum
VESA compatibility	75x75,100x100
Tilt range	+45°~-45°
Screens support quantity	6
Pan (Swivel) range	+15°~-15°
Mount	Desk mount
Load Capacity (kg)	7kg

