

addit **x**

Warranty



45.450

Bento® laptop table adjustable 450

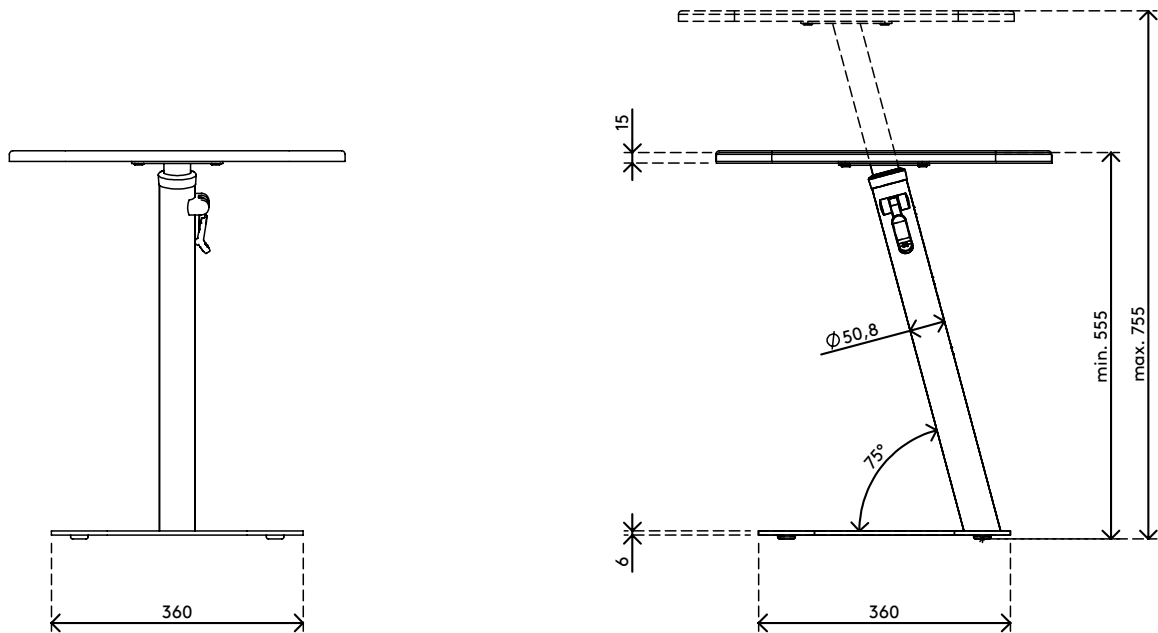
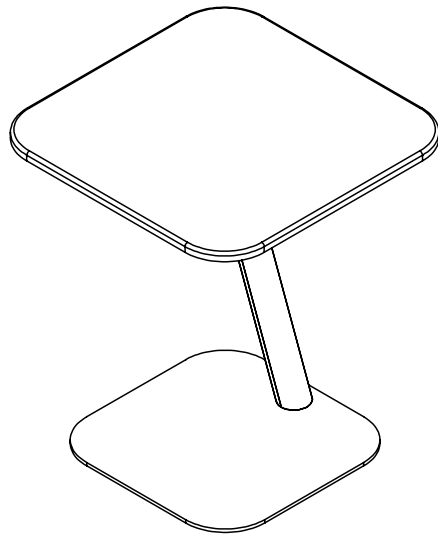
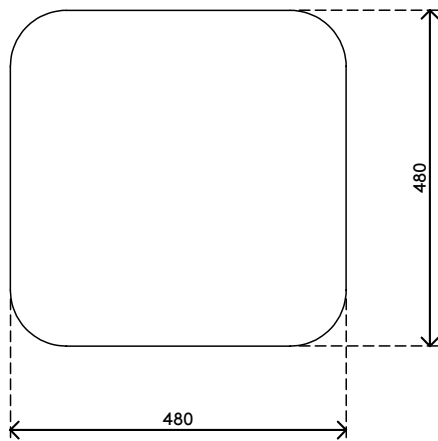
The Bento laptop table is designed for Activity Based Working environments but works and looks great almost everywhere. It has a safe, intuitive height adjustment mechanism and is suitable for soft seating and (task) chair environments. The combination of a flat, stable base and angled pole, offer best in class stability, easy mobility on both hard floors and carpets and gives you more legroom and reach. With its small stature and big personality, the Bento laptop table is a perfect addition to any workspace.

- Great design matches all interiors
- Create touch down workstations everywhere
- Perfect for Activity Based Working environments
- Safe height adjustment mechanism with built in soft-drop
- Height adjustable from 555 - 755 mm
- Suitable for hard floors and carpet
- Max. weight capacity of 15 kg (33 lb)
- Dimensions (w x d x h): 480 x 480 x 555 - 755 mm (19 x 19 x 21,65 - 29,5")

dataflex

feeling at work

addit



15 kg

Bento® laptop table adjustable 450

2023/04/17

45.450

 640x575x172mm

 1 pcs

 white

 14,60kg

 805410454500