

## 1442544F2-AO

ADTRAN® 1442544F2 Compatible TAA 10GBase-XGS PON OLT SFP+ Transceiver (SMF, 1577nmTx/1270nmRx, 20km, SC, DOM, -40 to 85C)

### Features

- Hot Pluggable SFP+
- 4 Lambda
- 3.3V DC Power Supply
- 2x10 SFP+ Electrical Interface
- ITU-T G.9807.1 Class N2 compliant
- SC receptacle optical connector
- RoHS compliant and Lead Free
- Industrial Temperature -40 to 85 Celsius



### Applications

- XGS-PON OLT
- Access and Enterprise

### Product Description

This ADTRAN® 1442544F2 compatible SFP+ transceiver provides XGS- throughput up to 20km over single-mode fiber (SMF) using a wavelength of 1577nmTx/1270nmRx via a SC connector. It is guaranteed to be 100% compatible with the equivalent ADTRAN® transceiver. This easy to install, hot swappable transceiver has been programmed, uniquely serialized and data-traffic and application tested to ensure that it will initialize and perform identically. Digital optical monitoring (DOM) support is also present to allow access to real-time operating parameters. This transceiver is Trade Agreements Act (TAA) compliant. We stand behind the quality of our products and proudly offer a limited lifetime warranty.

AddOn's transceivers are RoHS compliant and lead-free.

TAA refers to the Trade Agreements Act (19 U.S.C. & 2501-2581), which is intended to foster fair and open international trade. TAA requires that the U.S. Government may acquire only "U.S. – made or designated country end products."



## Regulatory Compliance

- ESD to the Electrical PINs: compatible with MIL-STD-883E Method 3015.4.
- ESD to the LC Receptacle: compatible with IEC 61000-4-3.
- EMI/EMC: compatible with FCC Part 15 Subpart B Rules, EN55022:2010.
- Laser Eye Safety: compatible with FDA 21CFR, EN60950-1& EN (IEC) 60825-1, 2.
- RoHS: compliant with EU RoHS 2.0 directive 2015/863/EU.

## Absolute Maximum Ratings

Parameter	Symbol	Min.	Max.	Unit	Notes
Maximum Supply Voltage	Vcc3	0	3.6	V	
Storage Temperature	Tstg	-40	85	°C	
Operating Temperature	Tc	-40	85	°C	
Operating Relative Humidity	RH	5	85	%	

## Electrical Characteristics

Parameter	Symbol	Min.	Typ.	Max.	Unit	Notes
Supply Voltage	Vcc3	3.14	3.3	3.47	V	
Supply Current	Icc3			750	mA	
Module Power Dissipation	P <sub>DISS</sub>			2.5	W	
<b>Transmitter</b>						
Data Input Differential Swing	VIN	120		850	mVp-p	
Input Differential Impedance	ZIN	80	100	120	Ω	
Tx_Disable (Asserted)	VDH	2.0		3.3	V	
Tx_Disable (Negated)	VDL	0		0.8	V	
Tx_Fault Output Voltage - High		2.4		3.3	V	
Tx_Fault Output Voltage - Low		0		0.4	V	
<b>Receiver</b>						
Differential Output Differential Swing	VRXDIFF	400		800	mVp-p	
Signal Detected Voltage - High	Vsd_h	2		3.3	V	
Signal Detected Voltage - Low	Vsd_l	0		0.4	V	

## Optical Characteristics

Parameter	Symbol	Min.	Typ.	Max.	Unit	Notes	
<b>Transmitter (9.953G)</b>							
Data Rate	BR		9.953		Gbps		
Center Wavelength	$\lambda_C$	1575	1577	1580	nm		
Spectral Width (-20dB)	$\Delta\lambda$			1	nm		
SMSR		30			dB		
Optical Power Output	POUT	4		7	dBm		
Extinction Ratio	ER	8.2			dB		
Eye Mask Margin	EM	Compliance ITU.T G.9807.1 Requirement					
Optical Output Power with Tx Off	Poff			-39	dBm		
RIN <sub>12</sub> OMA				-128	dB/Hz		
<b>Receiver (9.953/2.488G)</b>							
Input Operating Wavelength	$\lambda_{RX}$	1260	1270	1280	nm		
Receiver Sensitivity (BER 10 <sup>-3</sup> )	@9.953			-28	dBm		
Receiver Sensitivity (BER 10 <sup>-4</sup> )	@2.488			-29.5	dBm		
Receiver Overload (BER 10 <sup>-12</sup> )	@9.953	-5			dBm		
Receiver Overload (BER 10 <sup>-12</sup> )	@2.488	-7			dBm		
Maximum Input Power		-3			dBm		
Receiver Reflectance	RRX			-12	dB		
Receiver Tolerance to Reflected Optical Power				10	dB		
Signal Detected De-Assert Level	Psdd	-40			dBm		
Signal Detected Assert Level	Psda			-29	dBm		
SD Hysteresis	SD_Hys		0.5		dB		

## Digital Diagnostic Functions

Parameter	Range	Unit	Accuracy	Notes
Temperature	-40°C to 85°C	°C	±3	LSB equal to 1/256C
Supply Voltage (3.3V)	3.14V to 3.47V	V	±3%	LSB equal to 100uV
Tx Bias Current	0mA to 150mA	mA	±10%	LSB equal to 4uA
Tx Optical Power	4dBm to 7dBm	dBm	±2	LSB equal to 0.2uW
Rx Power	-30dBm to -6dBm	dBm	±3	LSB equal to 0.1uW

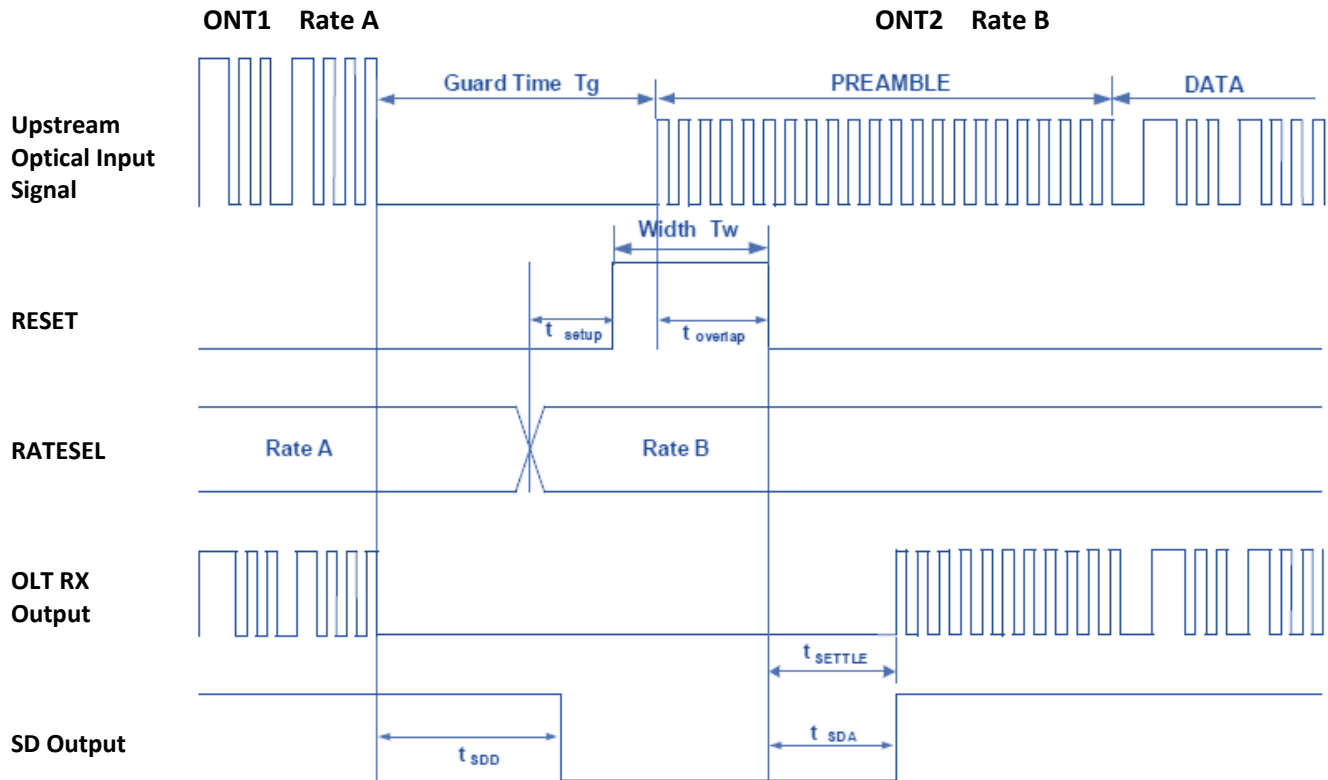
## Upstream Timing

Parameter	Symbol	Min.	Typ.	Max.	Unit	Notes
Burst Receiver Settling Time	T_SETTLE			100	ns	
Burst Signal Detect Assert	T_SDA		25	100	ns	
Burst Signal Detect De-Assert	T_SDD		100		ns	1
Guard Time	Tg	51.4			ns	
Reset Pulse Width	Tw	25			ns	
Reset Time Overlapping Preamble	T_overlap	0			ns	2
Setup Time of Rate Level for Following Burst	T_setup	5			ns	

### Notes:

1. Auto reset function is applied. Signal detect de-assert time is about 100ns forced by auto reset and will short to about 20ns with external Reset pulse.
2. Reset pulse is required to be partially inside the preamble.

## Upstream Timing Diagram

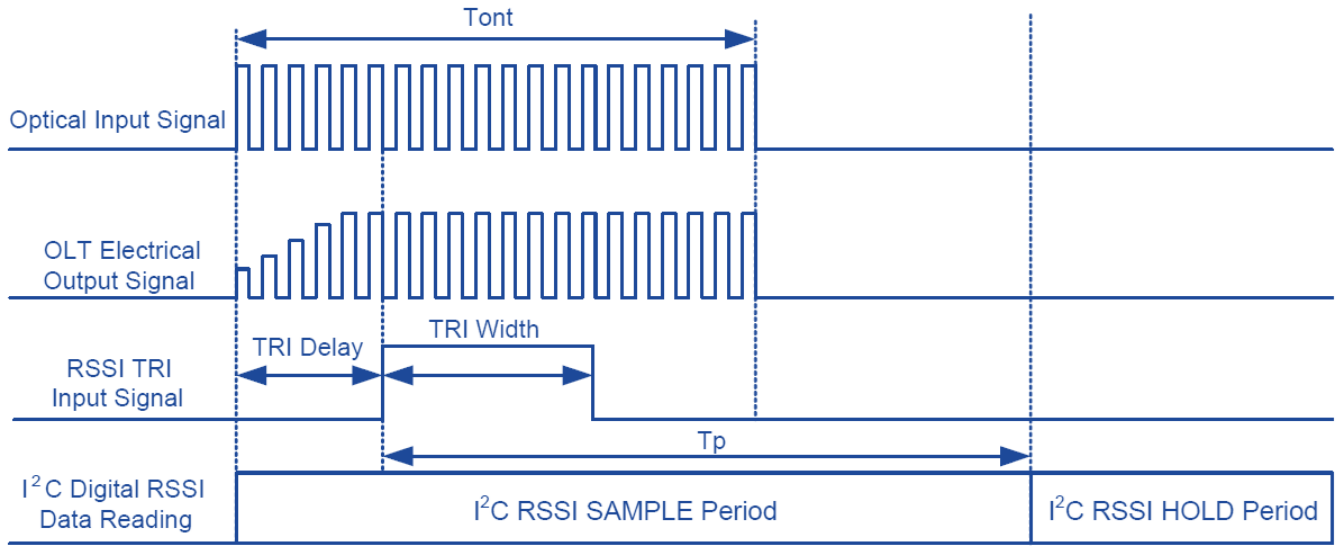


## Digital RSSI Sample/Hold Timing

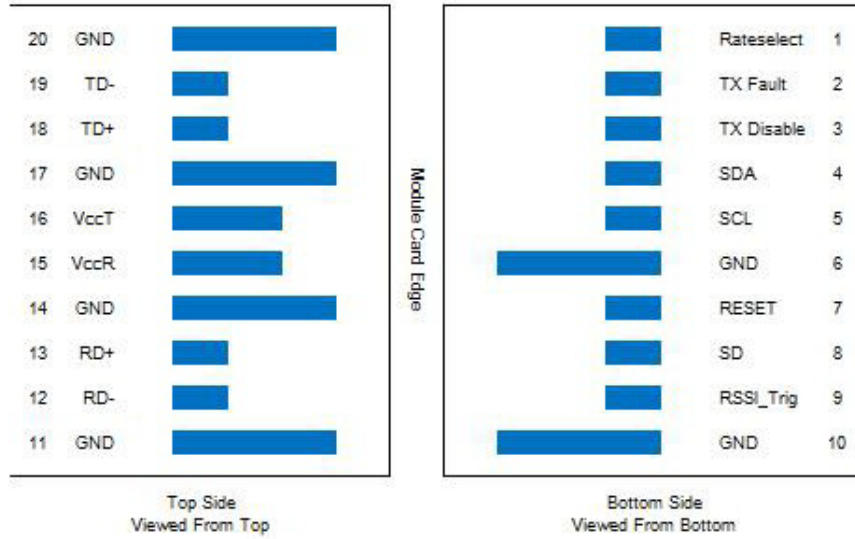
Parameter	Symbol	Min.	Typ.	Max.	Unit	Notes
I <sup>2</sup> C Read Time	$T_p$	500			$\mu$ s	
Optical Input Signal Width	$T_{ont}$	300			ns	
RSSI Monitor Range	$P_{mon}$	-30		-7	dBm	
RSSI Precision	$P_{rssi}$	-3	+/-2	3	dB	
RSSI Trigger Delay	$T_{tri}$ (TRI Delay)	0	300		ns	
RSSI Trigger Width	$T_{i2c}$ (TRI Width)	500		$T_{ont} - T_{tri}$	ns	

**Note:**  $T_{tri} + T_{i2c} < T_{ont}$ .

### Digital RSSI Sample/Hold Timing Diagram



### Pin-Out Definitions



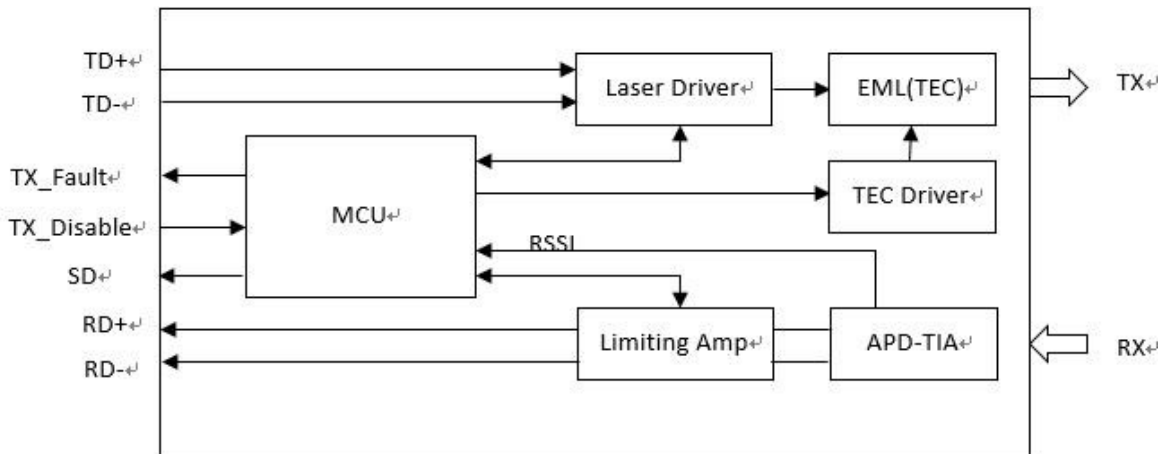
## Pin Descriptions

Pin	Logic	Symbol	Description	Note
1	LVTTL	Rate_Select	Rate Select.	1
2	LVTTL	Tx_Fault	High Voltage: Tx Laser Fault or Safety. Low Voltage: Normal Operation.	
3	LVTTL	Tx_Disable	Active "high" to disable laser.	
4		SDA	2-Wire Serial Interface SDA.	
5		SCL	2-Wire Serial Interface SCL.	
6		GND	Module Ground.	
7		Reset	Reset for TIA/LIA.	
8	LVTTL	SD	"Logic 1" indicates normal operation.	
9	LVTTL	RSSI_Trig	RSSI Trigger.	
10		GND	Module Ground.	
11		GND	Module Ground.	
12	LVCML	RD-	2.5/10G LVCML output with DC coupling.	
13	LVCML	RD+	2.5/10G LVCML output with DC coupling.	
14		GND	Module Ground.	
15		VccR	+3.3V Power Supply.	
16		VccT	+3.3V Power Supply.	
17		GND	Module Ground.	
18	LVCML	TD+	10G LVCML input with AC coupling.	
19	LVCML	TD-	10G LVCML input with AC coupling.	
20		GND	Module Ground.	

### Notes:

1. Rate Select is high-speed when Pin 1 value is "high" and low-speed when Pin 1 value is "low."

### Transceiver Block Diagram



## Transmitter Section

### **Tx\_Disable**

Tx\_Disable is an input pin that is used to shut down the XGSPON transmitter optical output at the same time. It is pulled up within the module with a 4.7k $\Omega$  to 10k $\Omega$  resistor. Its states are: low (0 – 0.8V) - transmitter on; (>0.8, < 2.0V) - undefined; high (2.0 – VCC) - transmitter disabled; open - transmitter disabled. The Tx\_Disable signal is “high” (LVTTL “logic 1”) to turn off the laser output. The laser will turn on when Tx\_Disable is “low” (LVTTL “logic 0”).

### **XGSPON TD+/-**

XGSPON\_TD+/- are the differential XGSPON transmitter inputs. They are AC-coupled, differential lines with 100 $\Omega$  differential termination inside the module. It allows a differential input swing of 120-850mV, 9.953Gbps data rate.

## Receiver Section

### **XGSPON\_SD**

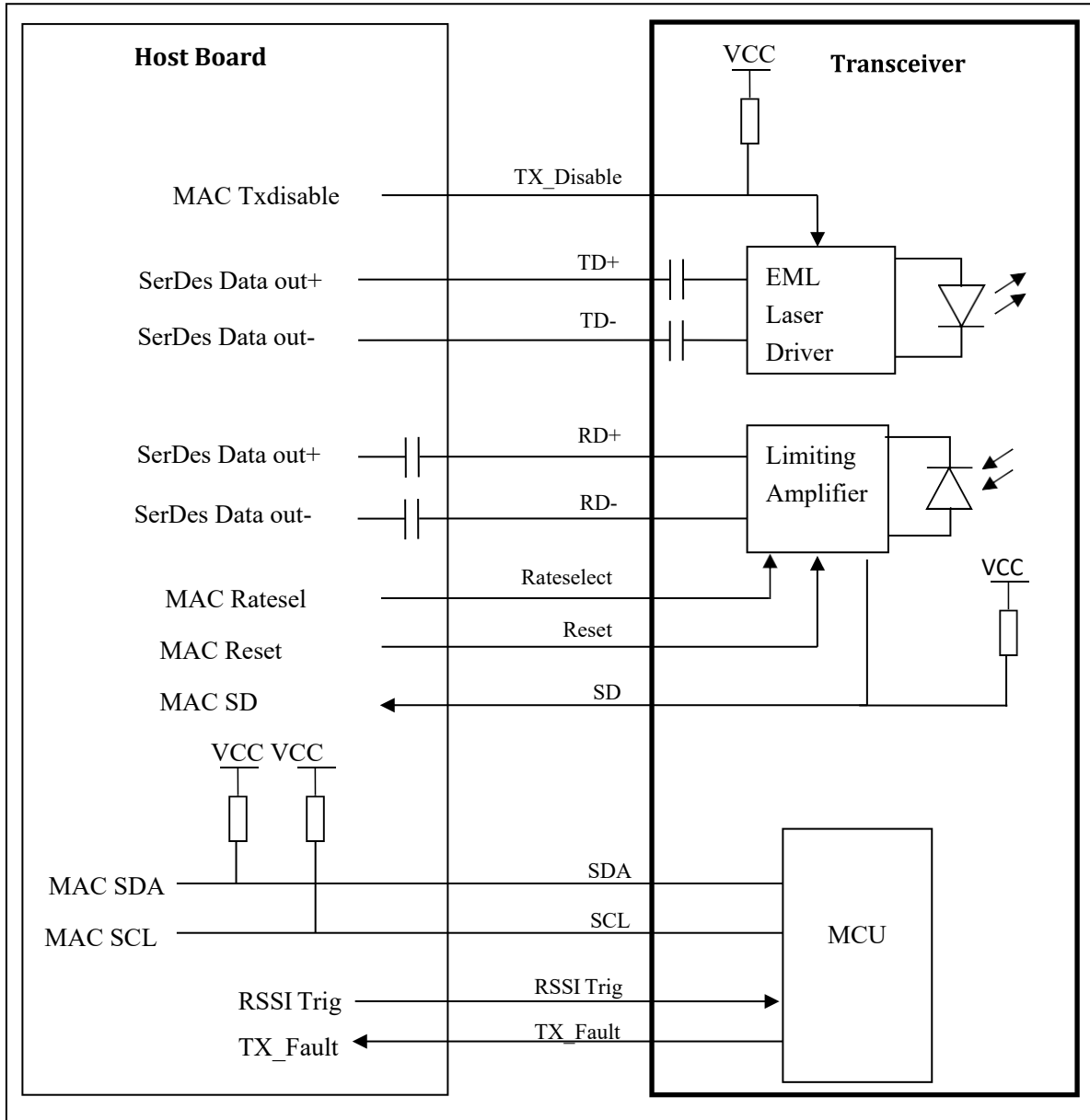
SD (Signal Detect) is an open collector/drain output, which should be pulled up with a 4.7k $\Omega$  to 10k $\Omega$  resistor to a voltage between 2.4V and Vcc+0.3V. When “low,” this output indicates the received optical power is below the worst-case receiver sensitivity (as defined by the standard in use). “High” indicates normal operation. In the “low” state, the output will be pulled to < 0.4V.

### **XGSPON RD+/-**

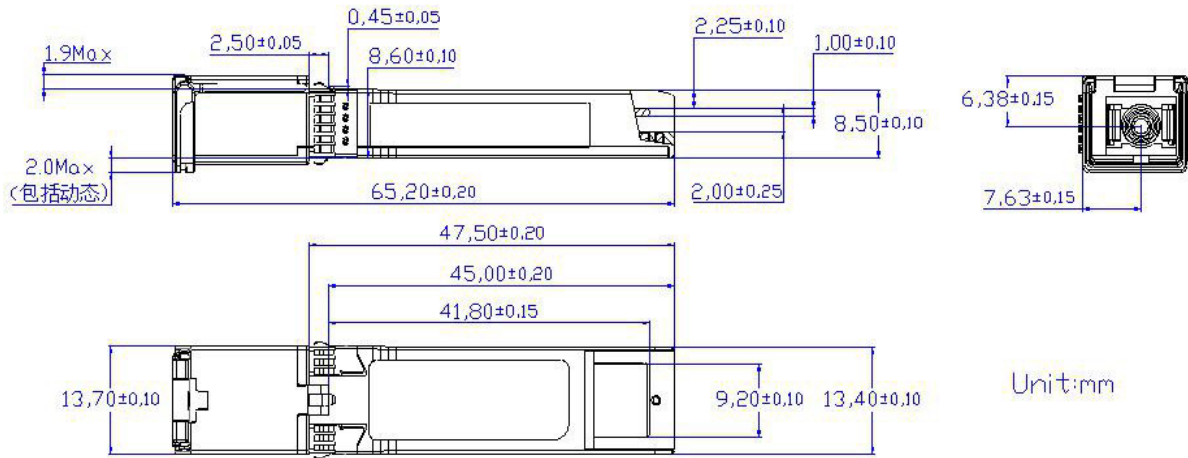
These are the XGSPON differential receiver outputs. They are DC coupled 100 $\Omega$  differential lines which should be terminated with 100 $\Omega$  (differential) at the user SERDES. The AC coupling is done on the host board. The voltage swing on these lines will be between 400 and 800mV differential output when properly terminated.



### Recommended Interface Circuit

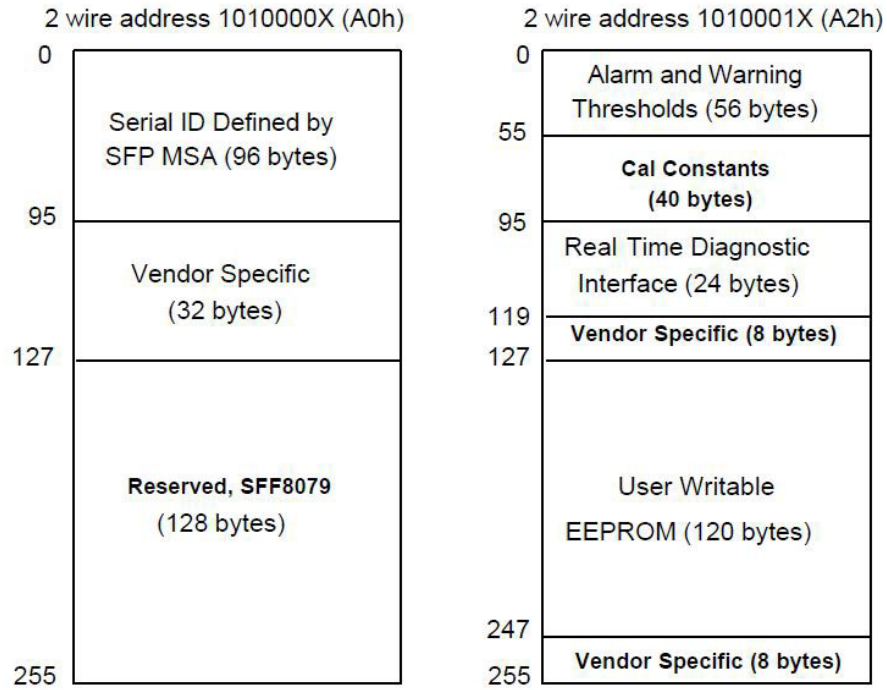


## Mechanical Specifications



## Digital Diagnostic Memory Map

Compatible with SFF-8472.



## **About AddOn Networks**

In 1999, AddOn Networks entered the market with a single product. Our founders fulfilled a severe shortage for compatible, cost-effective optical transceivers that compete at the same performance levels as leading OEM manufacturers. Adhering to the idea of redefining service and product quality not previously had in the fiber optic networking industry, AddOn invested resources in solution design, production, fulfillment, and global support.

Combining one of the most extensive and stringent testing processes in the industry, an exceptional free tech support center, and a consistent roll-out of innovative technologies, AddOn has continually set industry standards of quality and reliability throughout its history.

Reliability is the cornerstone of any optical fiber network and is engrained in AddOn's DNA. It has played a key role in nurturing the long-term relationships developed over the years with customers. AddOn remains committed to exceeding industry standards with certifications from ranging from NEBS Level 3 to ISO 9001:2005 with every new development while maintaining the signature reliability of its products.

## **U.S. Headquarters**

Email: [sales@addonnetworks.com](mailto:sales@addonnetworks.com)

Telephone: +1 877.292.1701

Fax: 949.266.9273

## **Europe Headquarters**

Email: [salesupportemea@addonnetworks.com](mailto:salesupportemea@addonnetworks.com)

Telephone: +44 1285 842070