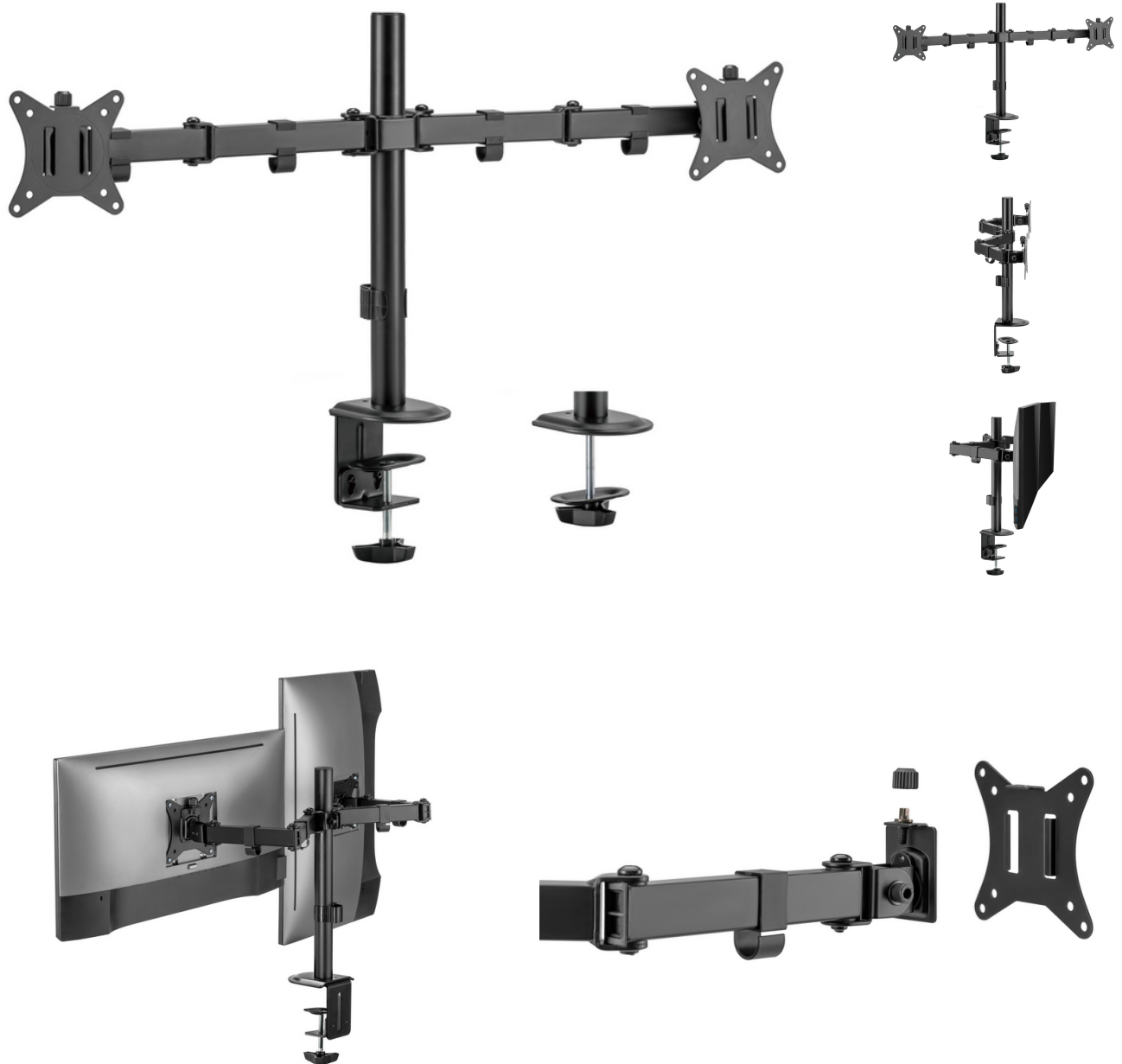
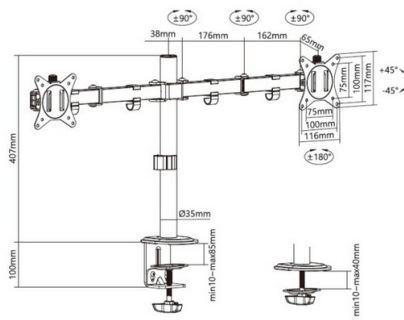


650157 17"-32" Articulating Dual Monitor Desk Mount Bracket

Product Images





Short Description

1. Installation: Grommet and Clamp
2. Max. Load Capacity: 9kg (per screen)
3. Max. VESA: 100x100
4. Screen Rotation: 360°
5. Mounting Option: Clamp/Grommet
6. Full motion mount
7. Cable clips keep cables organized and protected
8. Height adjustment
9. VESA standards compliant
Free-tilting design for multiple monitor viewing angles
10. Detachable VESA Plate Design
Portrait or Landscape viewing : fits any installation

Description

The equip® Monitor Desk Mount Bracket is a compact but sturdy product that ensures a reliable installation of your LCD/LED monitor. Follow the graphic guide included in the package, you can install your

monitor on your own with ease.

- 11.
- 12.
13. Installatioin Video

Additional Information

Approval and compliance	RoHS
Compatible display size	17"-32"
Material	Plastic, Stainless Steel
Load capacity (kg)	9kg
Mount	Desk mount
Pan (Swivel) range	+90°~-90°
No. of supported display	1
Tilt range	+45°~-45°
VESA compatibility	100x100,75x75
Product Size	869x112x561mm
Screen Rotation	+180°~-180°
Installation	Grommet,Clamp
Cable Management	Yes
Support Curved TV	No
Quick Release VESA Plate	No
Product weight (kg)	3.5
Color	Black
EAN	4015867229361
Model Number	650157
Package contents	650157/manual/screws/CE document
TV size	17"-32"
VESA support	75 x 75, 100 x 100
Dimensions (W x D x H)	112 x 561 x 869 mm

